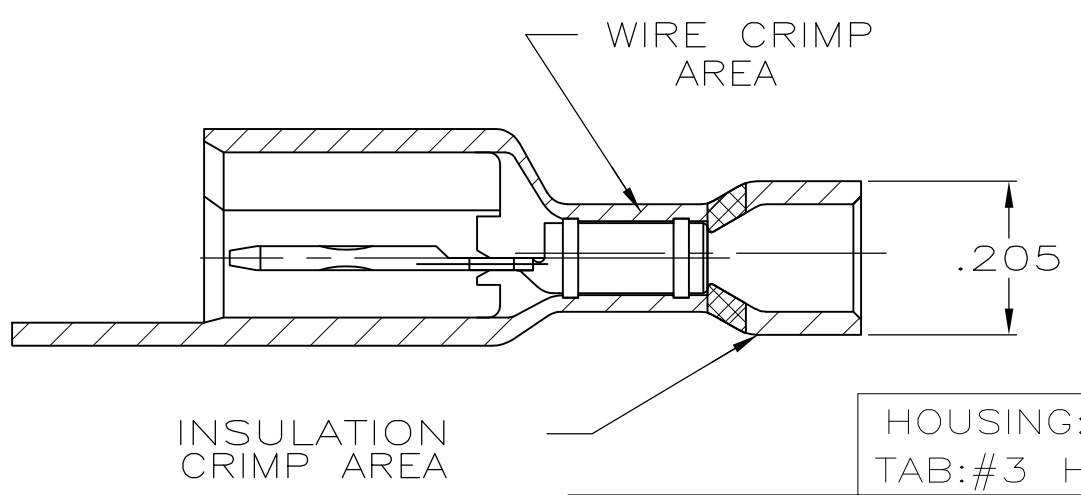
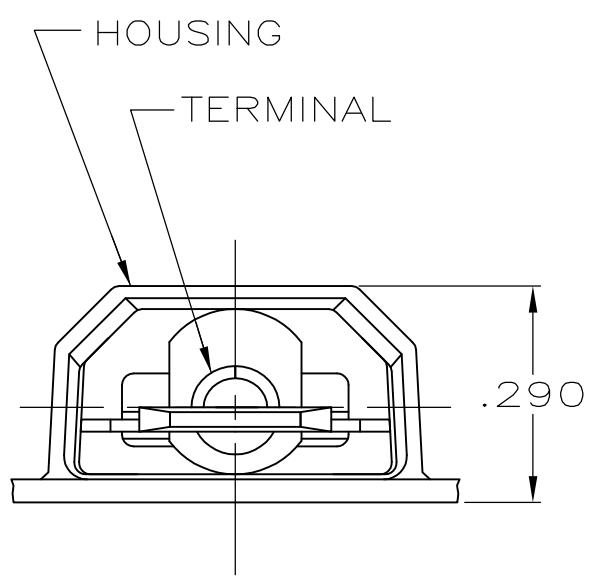
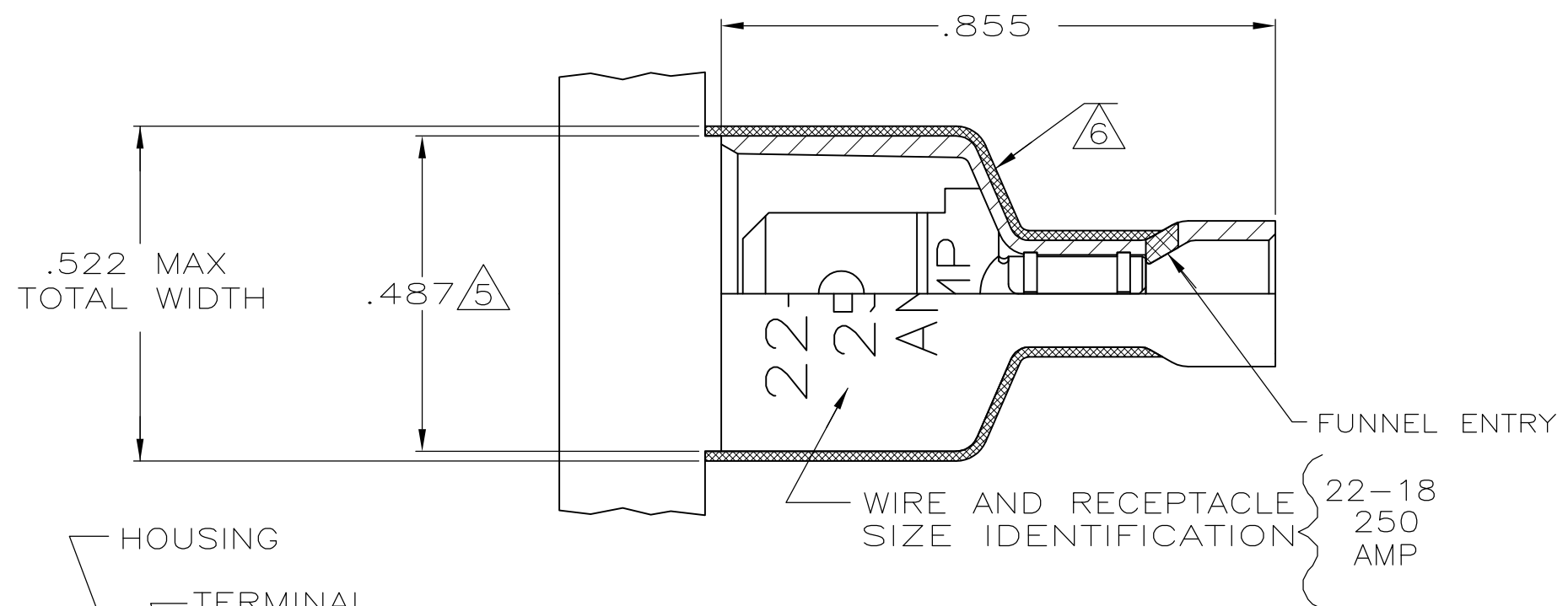


THIS DRAWING IS UNPUBLISHED. RELEASED FOR PUBLICATION
 © COPYRIGHT - By - ALL RIGHTS RESERVED.

LOC	DIST	REVISIONS					
AF	50	P	LTR	DESCRIPTION	DATE	DWN	APVD
		G		REVISED PER ECR-12-005303	24JUL12	KH	KR



- 1 TAB DIMENSIONS .032±.001x.250
- 2 WIRE STRIP LENGTH .281
- 3 INSULATION SIZE .060-.135 DIA
- 4 CONTINUOUS STRIP ON REELS
- △5 DIMENSION DOES NOT INCLUDE TRIM BURR
- △6 .015 MAX CARRIER TRIM BURR PER SIDE IS ALLOWABLE IN THE SHADED AREA
- △7 OBSOLETE PARTS: OBSOLETE CIS STREAMLINING PER D.RENAUD/D.SINISI

HOUSING: NYLON, COLOR-RED TRANSLUCENT TAB: #3 HARD BRASS, TIN	2-521055-2
△7 OBSOLETE HOUSING: NYLON, COLOR-RED TRANSLUCENT TAB: #3 HARD BRASS, UNPLATED	2-521055-1
MATERIAL & FINISH	PART NO

THIS DRAWING IS A CONTROLLED DOCUMENT.		DWN	JR RUTH	3/14/94	STE TE Connectivity		
DIMENSIONS: INCHES		CHK	MS FEHER	3/14/94			
TOLERANCES UNLESS OTHERWISE SPECIFIED:		APVD	D BRATINA	3/14/94			
0 PLC ± - 1 PLC ± - 2 PLC ± - 3 PLC ± .015 4 PLC ± - ANGLES ± -		PRODUCT SPEC	108-2017				
MATERIAL SEE TABLE		FINISH	SEE TABLE		NAME	TAB ASSEMBLY, ULTRA-FAST, PLUS, .250 SERIES, 22-18 AWG	
			APPLICATION SPEC	114-2123		SIZE	A3
			WEIGHT	-		CAGE CODE	00779
			CUSTOMER DRAWING		DRAWING NO	C-521055	
			SCALE	4:1	SHEET	1 OF 1	
					REV	G	