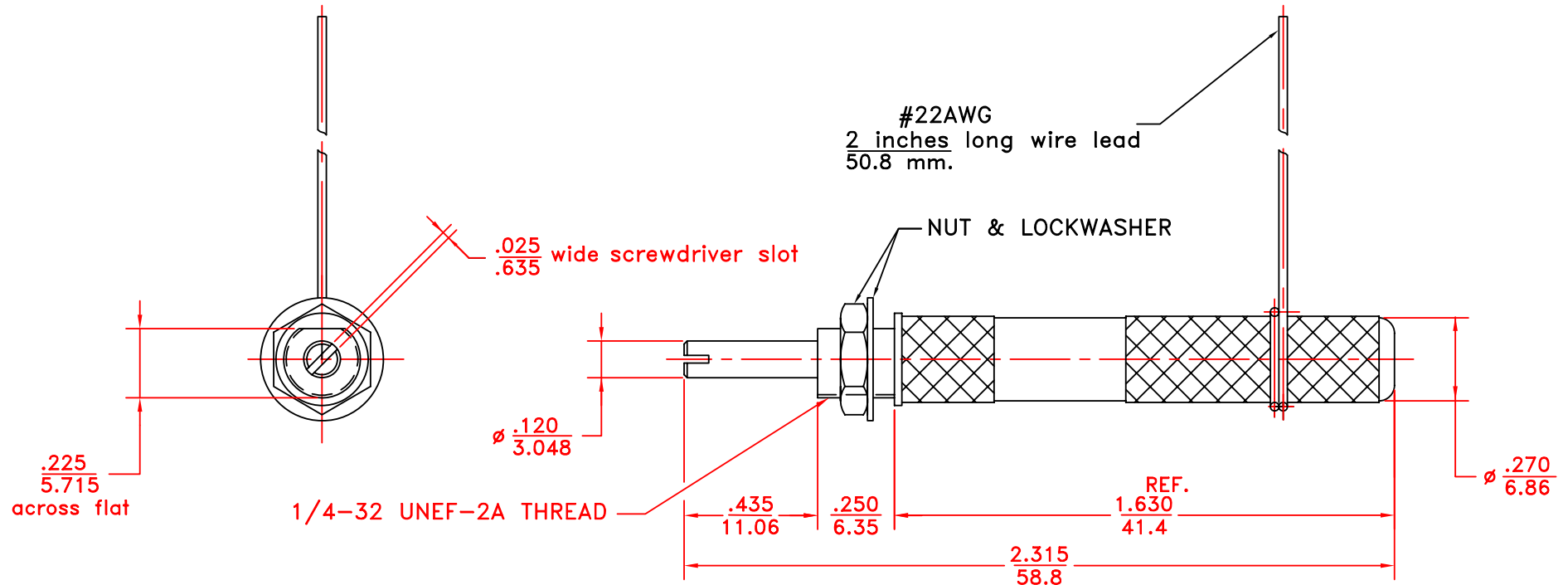


REV	DESCRIPTION	DATE	APP
00	NEW DRAWING	10/30/08	D.D.
01	ADDED NOTES 9; 10; 11; 12	03/26/12	D.D.



NOTES:

1. Capacitance: $C_{max} \geq 20\text{pF}$
2. Capacitance: C_{min} less than 2.0 pF
3. Working voltage: 6 KVDC
4. Withstanding voltage: 12 KVDC
5. Quality factor "Q" @ 25 MHz ≥ 1500
6. Torque .5 to 1.0 oz-in
7. Construction: 40 psi sealed, non-magnetic
8. Dimensions: in/mm
9. Operation temperature: -55°C up to 125°C .
10. TC Temperature coefficient 0 ± 300 (ppm/ $^{\circ}\text{C}$)
11. Current rating: 10 amps.
12. Rotational life: 10,000 turns.

TOLERANCES: (EXCEPT AS NOTED)		SPRAGUE GOODMAN ELECTRONICS INC. 1700 SHAMES DRIVE WESTBURY, NY 11590	
DECIMAL: ± 0.002 in ± 0.051 mm	MATERIAL:	SCALE: 2:1	DRAWN BY: R. LEVIN
FRACTIONAL: 1/64	TITLE: OUTLINE DWG SGNMNC1206E		APPROVED: D. DITLYA
ANGULAR: 1°	DATE: 10/30/08	DRAWING NUMBER SGNMNC1206E	USED FOR: REV. 01