

ITEM No.	PART NAME	PART No.	CODE No.
1, 2, 3	CONNECTOR UNIT	DF56-50P-0.3SD(51)	CL662-5607-0-51
-	METAL SHIELDING	DF56-50P-SHL	CL662-5608-2-00

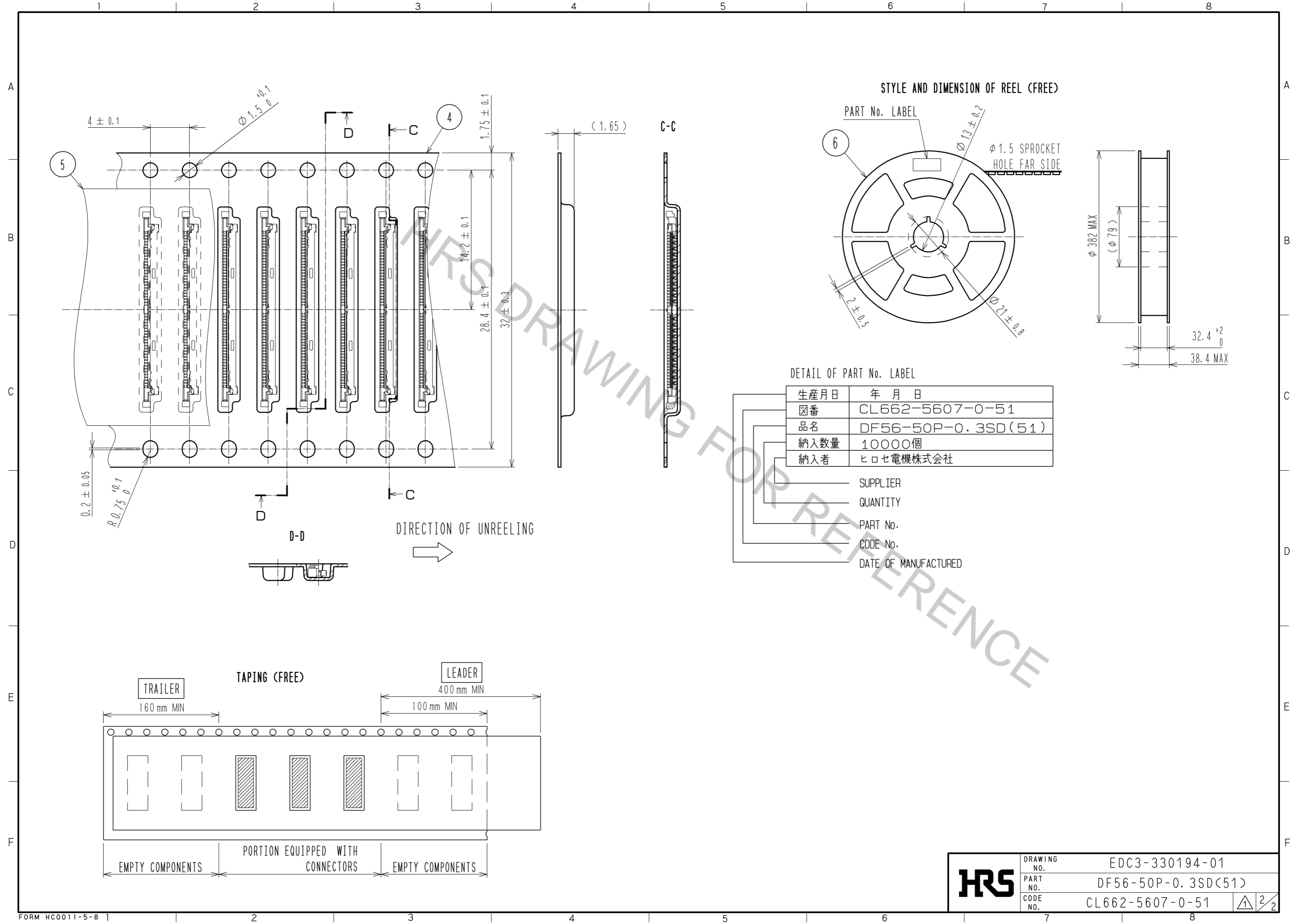
- NOTES
- 1. APPLICABLE CABLE: MICRO COAXIAL CABLE (AWG#42~AWG#46)
  - 2. THIS CONNECTOR IS NOT HOT PLUGGABLE. MATE AND UNMATE WHILE THE POWER IS OFF.
  - 3. THE ASSEMBLY IS COMPLETED BY COMBINING TWO PARTS 'CONNECTOR UNIT, AND METAL SHIELDING'. REFER TO THE TABLE FOR EACH ITEM No., PART NAME, PART No. AND CODE No.
  - 4. SOLDER A GRAND BAR WITH AN EXTERNAL CONDUCTOR OF THE CABLE ABOUT STICKING A GRAND BAR TOGETHER.
  - 5. PLEASE CONSULT ABOUT THE USE OF THE POTTING AND KAPTON TAPE SEPARATELY.

NO.	MATERIAL	FINISH	REMARKS	NO.	MATERIAL	FINISH	REMARKS
2	PHOSPHOR BRONZE	CONTACT AREA : Au PLATING 0.1μm min TERMINATION AREA : Au PLATING 0.1μm min UNDER PLATING : Ni PLATING 1μm min		6	PS	BLACK	
1	LCP	UL94V-0 . BLACK		5	POLYESTER	CLEAR	
				4	PS	CLEAR	
				3	STAINLESS	WHOLE AREA : Sn PLATING 1μm min UNDER PLATING : Ni 0.2μm min	

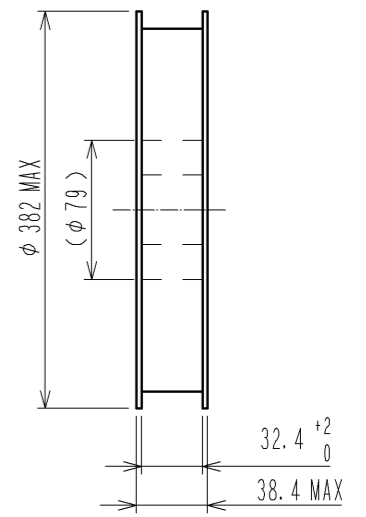
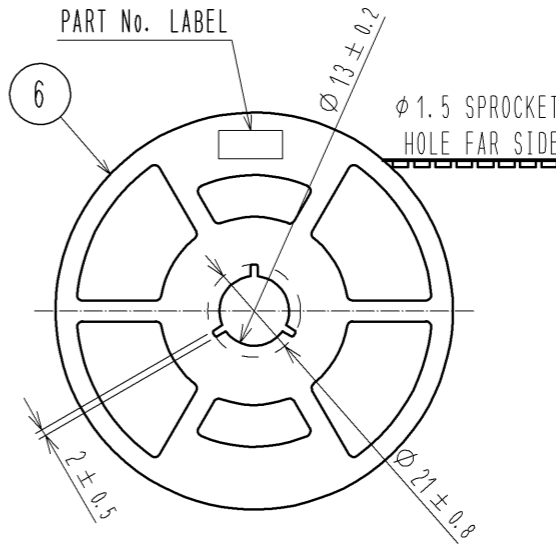
  

UNITS mm		SCALE FREE	COUNT 2	DESCRIPTION OF REVISIONS DIS-H-005089	DESIGNED AH.MIYAZAKI	CHECKED IO.DENPOUYA	DATE 10.09.15
<b>HRS</b> HIROSE ELECTRIC CO., LTD.		APPROVED : TS.SAKATA	10.07.20	DRAWING NO. EDC3-330194-01			
		CHECKED : IO.DENPOUYA	10.07.20	PART NO. DF56-50P-0.3SD(51)			
		DESIGNED : AH.MIYAZAKI	10.07.17	CODE NO. CL662-5607-0-51			
		DRAWN : AH.MIYAZAKI	10.07.17				

May.1.2017 Copyright 2017 HIROSE ELECTRIC CO., LTD. All Rights Reserved.



STYLE AND DIMENSION OF REEL (FREE)



DETAIL OF PART No. LABEL

生産月日	年月日
図番	CL662-5607-0-51
品名	DF56-50P-0.3SD(51)
納入数量	10000個
納入者	ヒロセ電機株式会社

- SUPPLIER
- QUANTITY
- PART No.
- CODE No.
- DATE OF MANUFACTURED

<b>HRS</b>	DRAWING NO.	EDC3-330194-01
	PART NO.	DF56-50P-0.3SD(51)
	CODE NO.	CL662-5607-0-51
		$\triangle$ 2/2