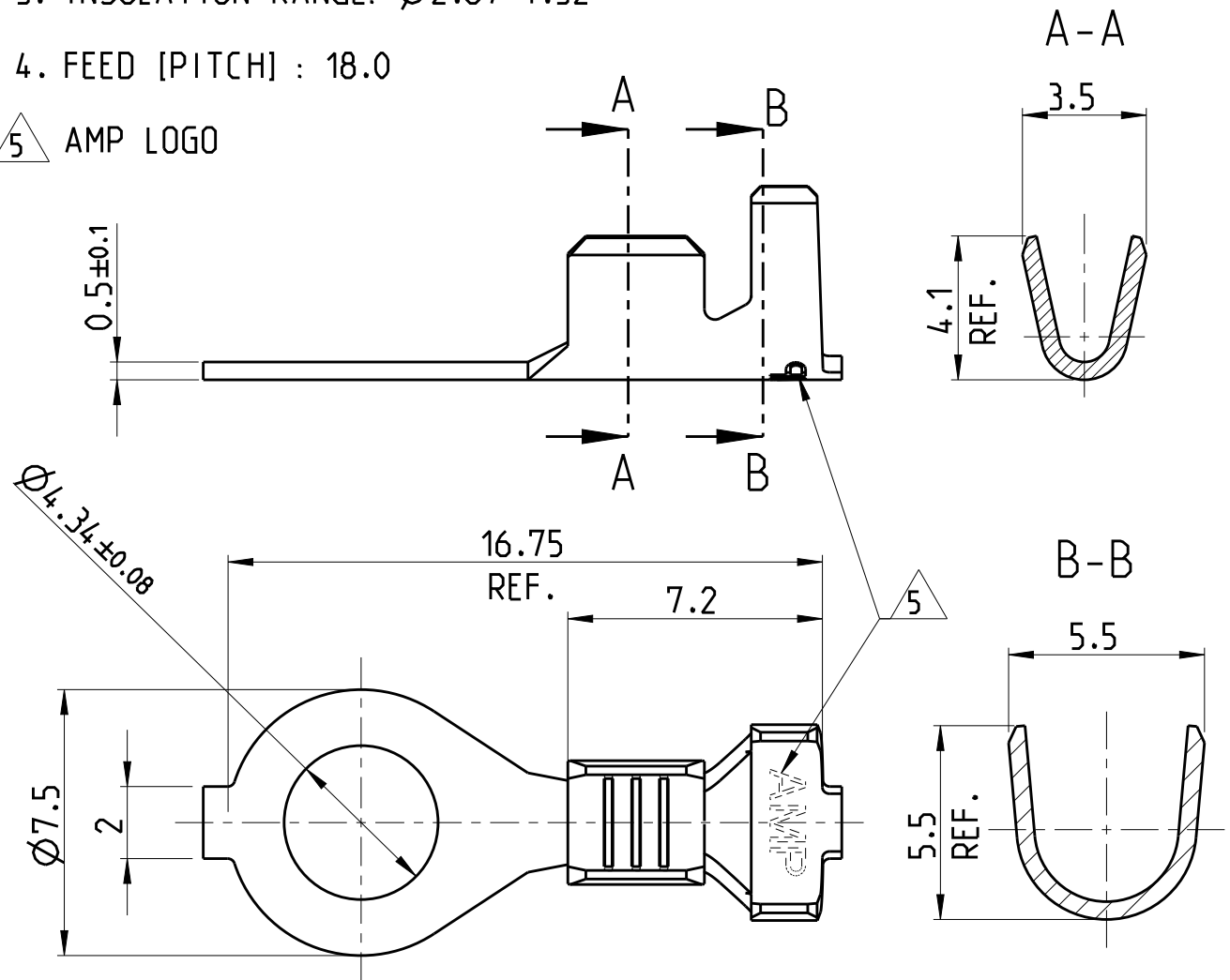


LOC	DIST	REVISIONS			
P	LTR	DESCRIPTION	DATE	DWN	APVD
IR	-	A	REFER ECR-16-000381	14 JAN2016	PK TD

NOTES:

1. CONTINUOUS STRIP ON REELS
2. WIRE RANGE: 18-14 AWG [0.8-2.0 SQ.mm]
3. INSULATION RANGE: $\varnothing 2.67-4.32$
4. FEED [PITCH] : 18.0

5 AMP LOGO



2012
 RELEASED FOR PUBLICATION
 ALL RIGHTS RESERVED.
 THIS DRAWING IS UNPUBLISHED.
 COPYRIGHT 2012

PRE-TIN; 1-3 μ m	BRASS	2825326-3
FINISH	MATERIAL	PART NO
SEE TABLE	SEE TABLE	SEE TABLE

DIMENSIONS: mm	DWN PRASANTH 19NOV2015	MATERIAL	SEE TABLE		FINISH	SEE TABLE
	CHK PRASANTH 19NOV2015	NAME	TE Connectivity			
TOLERANCES UNLESS OTHERWISE SPECIFIED:	APVD TIM DING 19NOV2015	PRODUCT SPEC	RING TONGUE TERMINAL			
	0 PLC ± 0.2	APPLICATION SPEC	STUD DIA. 4.34; M4			
1 PLC ± 0.2	114-2084	SIZE	CAGE CODE	DRAWING NO	RESTRICTED TO	
2 PLC ± 0.1	WEIGHT 0.4g approx.	A 4	00779	C-2825326	-	
3 PLC ± 0.05	Customer Drawing	SCALE 5:1		SHEET 1 OF 1	REV A	
4 PLC \pm						
ANGLES \pm						