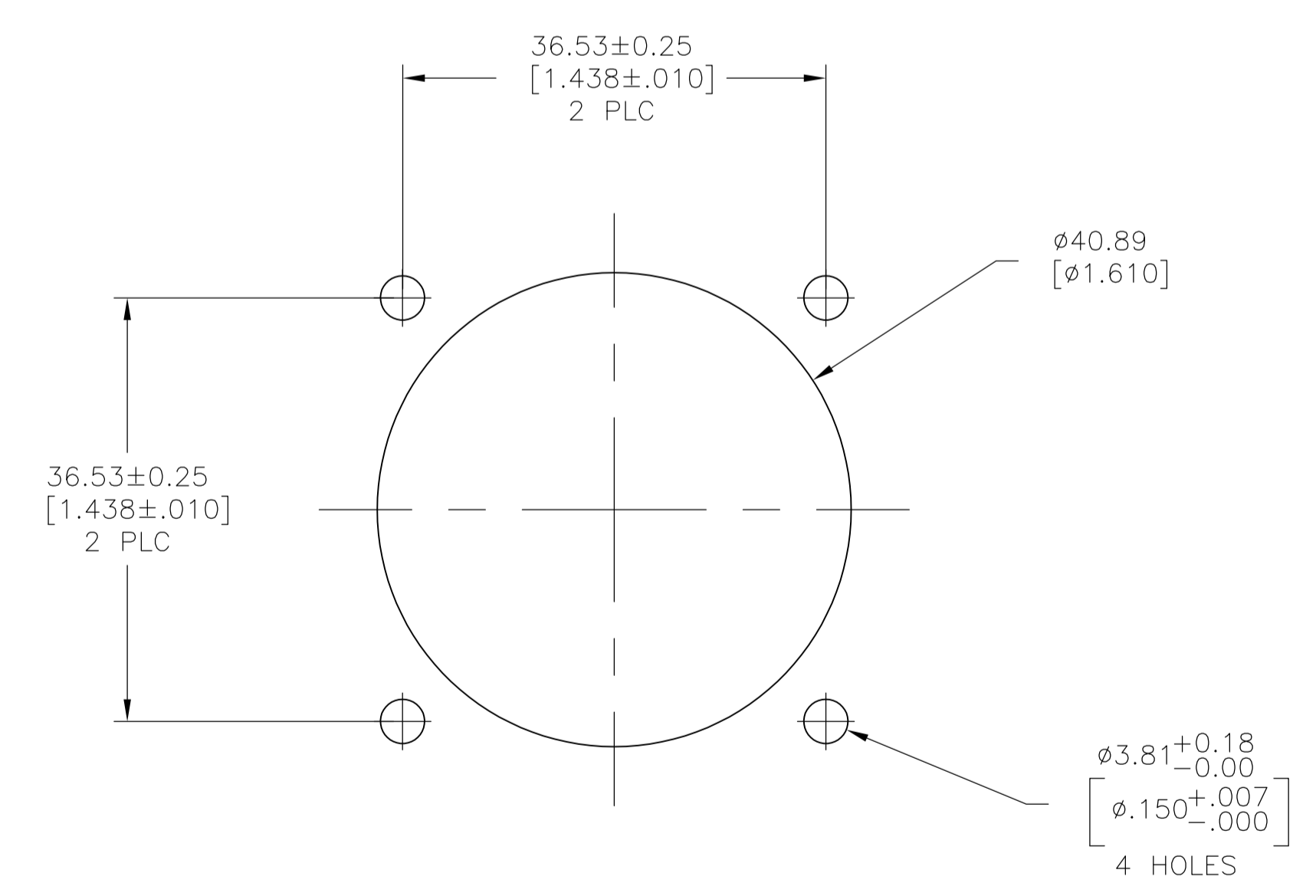
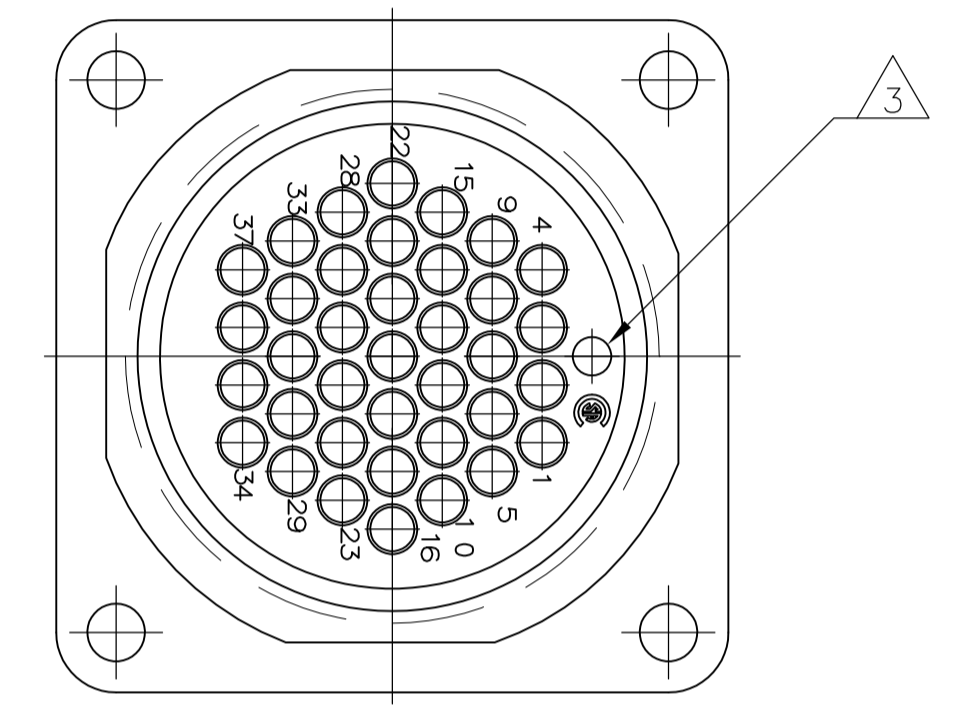
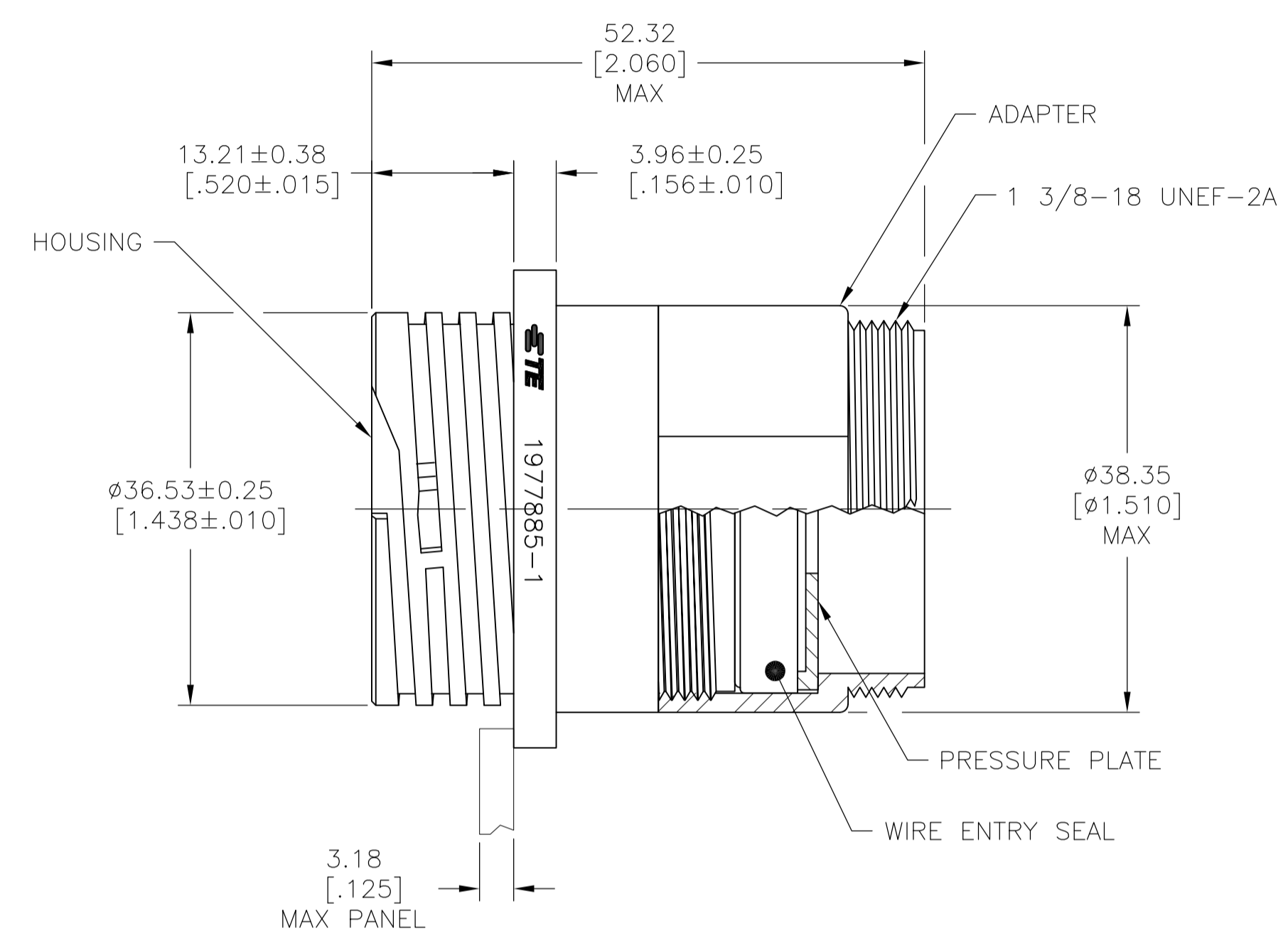
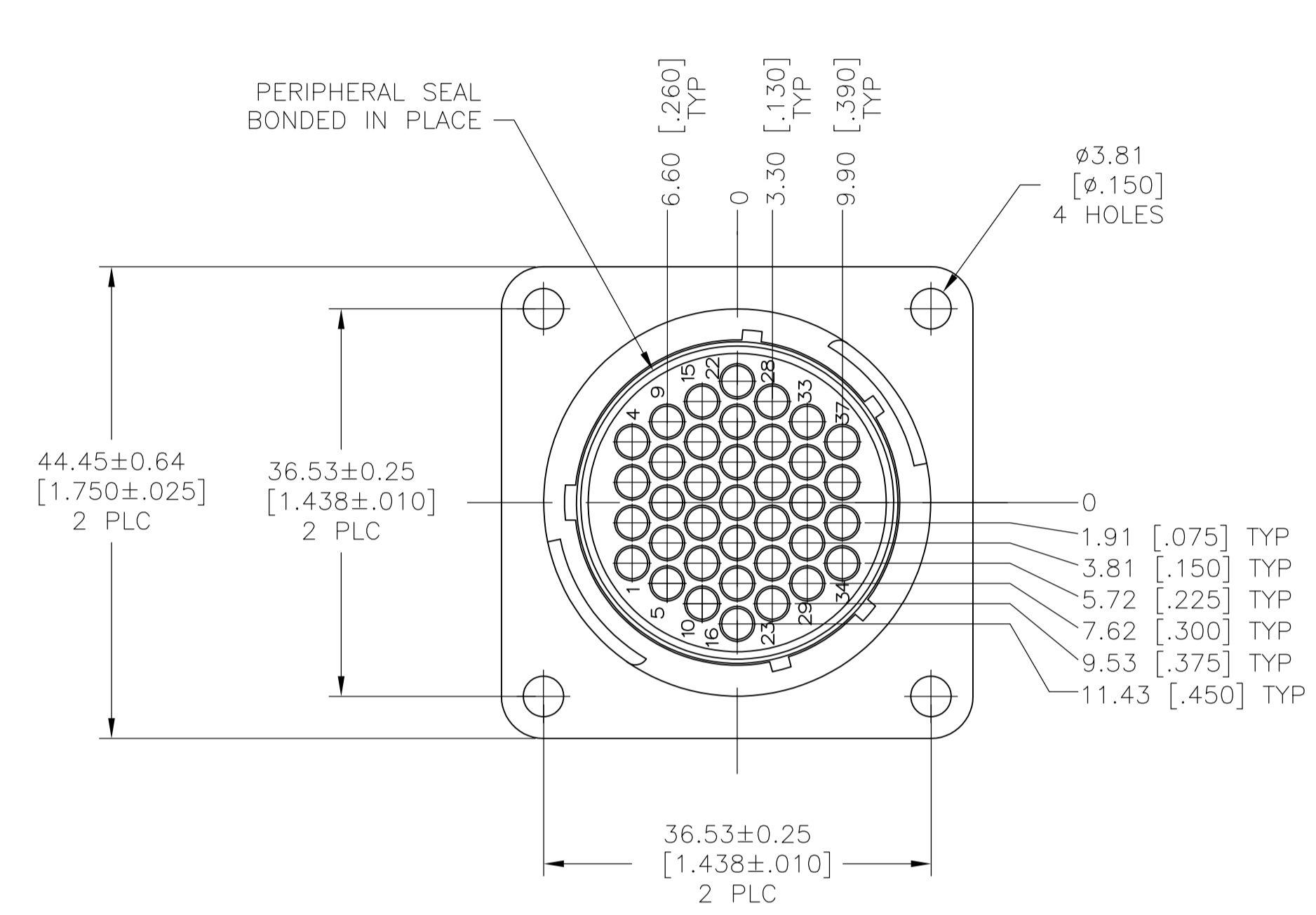


LOC		DIST		REVISIONS			
FT	0	P	LTR	DESCRIPTION	DATE	DN	APVD
A				NEW DRAWING PER ECO-12-018480	08NOV12	KH	MZ

- 1 ADAPTER AND HOUSING: NYLON, BLACK.  
WIRE ENTRY SEAL: ELASTOMER, RED-IRON OXIDE.  
PERIPHERAL SEAL: ELASTOMER, GREY.
- 2 CONNECTOR WILL ACCEPT (37) MULTIMATE PIN CONTACTS.
- 3 ORIENTATION HOLE USED IN THE MANUFACTURING PROCESS ONLY.  
THIS HOLE IS NOT INTENDED FOR WIRE INSERTION.



RECOMMENDED PANEL CUTOUT

1977885-1  
PART NUMBER

THIS DRAWING IS A CONTROLLED DOCUMENT.		DWG: KIRAN HOLAL 08NOV12		TE Connectivity	
DIMENSIONS: mm [INCHES]		CHK: M ZITTO 08NOV12			
TOLERANCES UNLESS OTHERWISE SPECIFIED:		APPD: M ZITTO 08NOV12		NAME: CPC SQUARE FLANGE RECEPTACLE ASSEMBLY, SERIES 1, SEALED, 23-37, STANDARD SEX, UV RESISTANT	
0 PLC ± -		PRODUCT SPEC 108-1579		SIZE: A1	
1 PLC ± -		APPLICATION SPEC		CAGE CODE: 00779	
2 PLC ± 0.13(.005)		MATERIAL		DRAWING NO: 1977885	
3 PLC ± -		FINISH		RESTRICTED TO: -	
4 PLC ± -		WEIGHT		SCALE: 2:1	
ANGLES ± -		CUSTOMER DRAWING		SHEET 1 OF 1	
				REV: A	