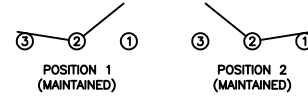


SCHEMATIC



SPECIFICATIONS

FUNCTION:
1P2T ON-ON

RATINGS:
ANSI/UL 1054 and CAN/CSA C22.2 No. 55 (E194579):
20A 125VAC [cURus]
16A 250VAC [cURus]
3/4HP 125/250VAC [cURus]

ANSI/UL 1054 (233821):
16A 250VAC [CSAus]
3/4HP 125/250VAC [CSAus]

EN 61058-1:2002 and DIN/VDE 0630:2003-03 (40017926):
16(4)A 250V~ 1E4 μ 85/55 [ENEC10, VDE]
10(2)A 250V~ 5E4 μ T85/55 [ENEC10, VDE]

CONTACT RESISTANCE:
Initial: 20mΩ Max.

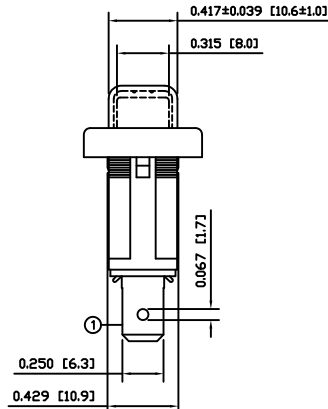
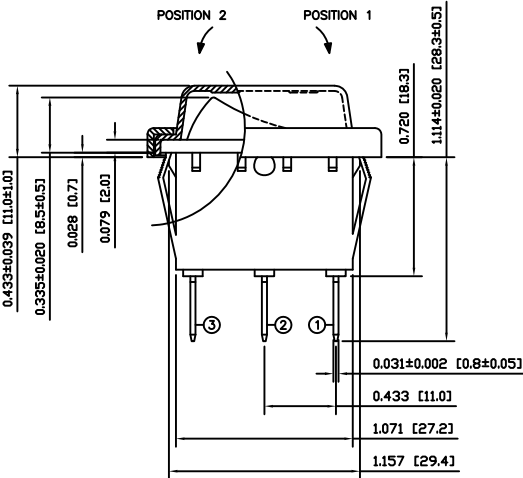
INSULATION RESISTANCE:
100MΩ Min. at 500VDC

DIELECTRIC STRENGTH:
1,000VAC for 1 Minute

ELECTRICAL LIFE:
6,000 Cycles [cURus, CSAus]
10,000 Cycles [ENEC10, VDE: 16(4)A 250V~]
50,000 Cycles [ENEC10, VDE: 10(2)A 250V~]

TEMPERATURE:
Operating: -20°C to 65°C [cURus, CSAus]
Operating: -20°C to 85°C [ENEC10, VDE]

APPROVALS:



COLORS AND MARKINGS

BODY:
Black

ACTUATOR:
White

MARKINGS:
None

MARKING COLOR:
None

FRAME:
Black

MATERIALS

BODY:
Polyamide 6/6 (PA66), UL94 V-2

ACTUATOR:
Polyamide 6/6 (PA66), UL94 V-2

SPRING:
Steel

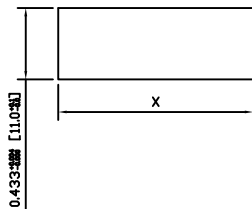
CONTACTS:
Silver Plated Copper

TERMINALS:
Silver Plated Copper
Silver Plated Brass

CAP:
Polyvinyl Chloride (PVC)

FRAME:
Polyamide 6/6 (PA66), UL94 V-2

SUGGESTED PANEL CUTOUT



| PANEL THICKNESS | X |
|-------------------------|--------------|
| 0.030~0.049 [0.75~1.25] | 1.189 [30.2] |
| 0.049~0.079 [1.25~2.00] | 1.201 [30.5] |

| ACTUATOR | A | 09/07/06 | CAB |
|----------------|------|----------|-----|
| BODY | A | 09/07/06 | CAB |
| COLORS | A | 09/08/21 | CAB |
| MATERIALS | A | 09/07/27 | CAB |
| SPECIFICATIONS | A | 09/06/26 | CAB |
| REFERENCE | REV. | DATE | BY |

THE INFORMATION CONTAINED IN THIS DOCUMENT IS PROPRIETARY TO E-SWITCH AND IS NOT TO BE COPIED OR TRANSFERRED

| INITIAL RELEASE | PCRD0119 | 09/09/18 | CAB |
|-----------------|----------|----------|----------|
| DESCRIPTION | PCR | DATE | DRAWN BY |

| DIMENSIONS |
|----------------------|
| INCHES [MILLIMETERS] |
| GENERAL TOLERANCES |
| ±0.008 [±0.2] / ±1' |
| SCALE |
| DRAWING NOT TO SCALE |

RB143D1200/ACC-F01-1

| | | |
|--------------------------------|----------------------------|---------------|
| DRAWING NUMBER 14-RB1S00148 | DATE SEPTEMBER 18, 2009 | REVISION A |
|--------------------------------|----------------------------|---------------|