

PART
NAME

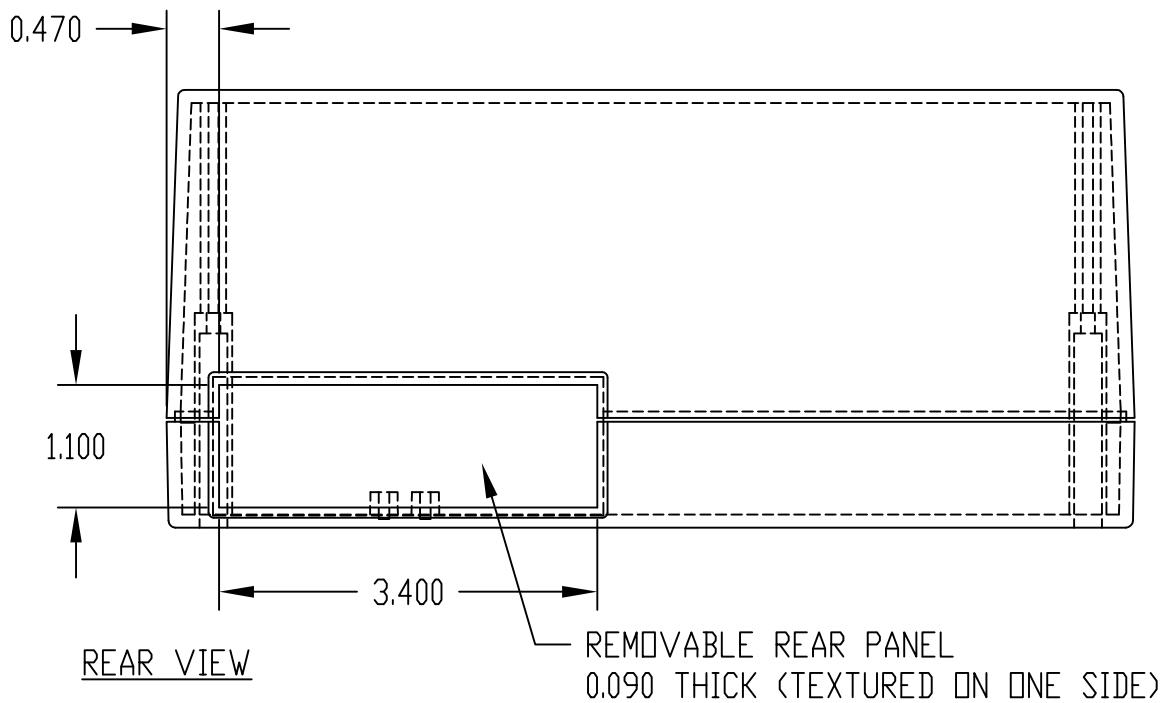
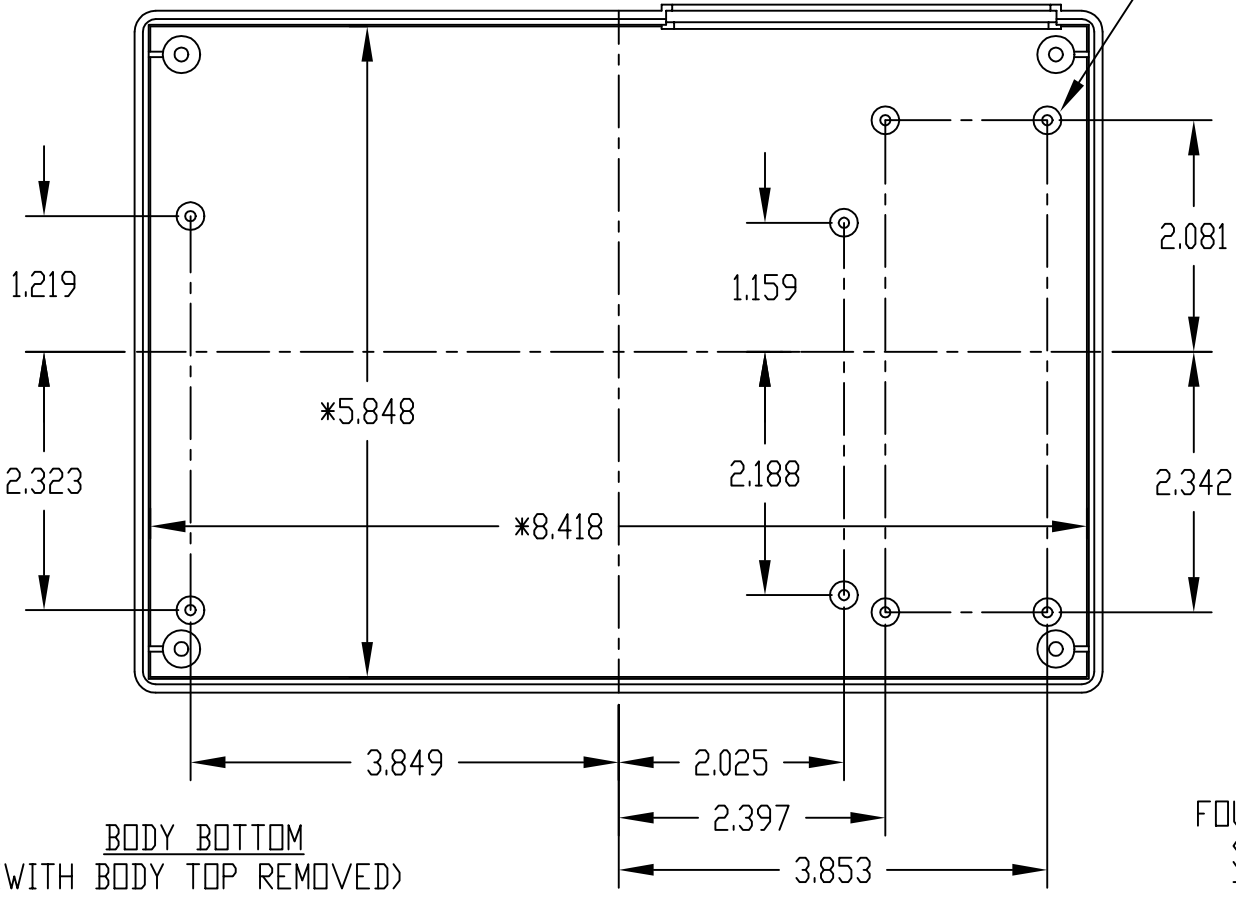
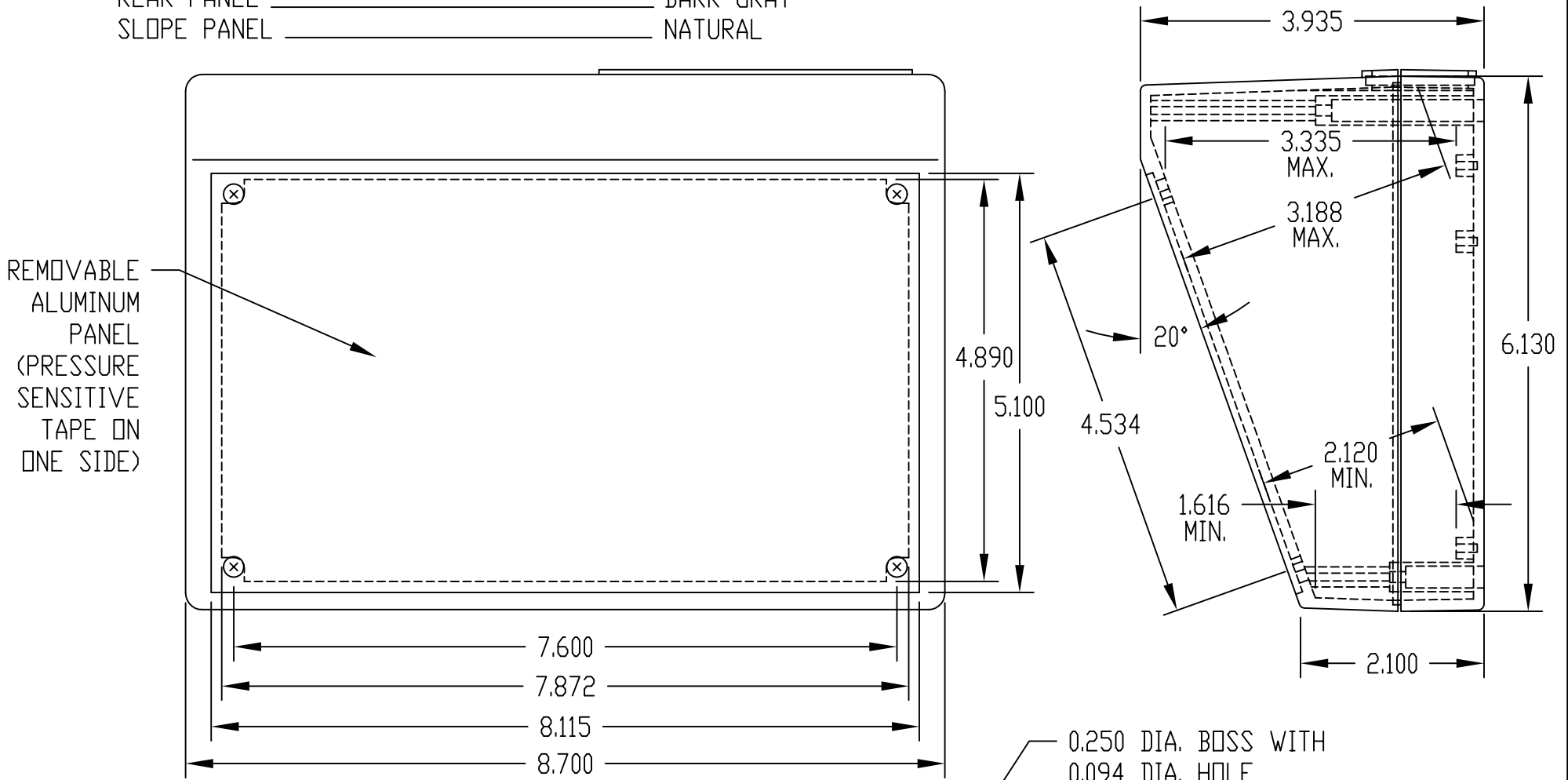
PLASTICASE

PART
No.

PC-11491

MATERIAL: BODY TOP & BOTTOM, REAR PANEL _____ ABS THERMOPLASTIC
(UL94-HB RATED)
SLOPE PANEL _____ 0.080 THK. ALUMINUM

FINISH: BODY TOP & BOTTOM _____ LIGHT GRAY
REAR PANEL _____ DARK GRAY
SLOPE PANEL _____ NATURAL



0.250 DIA. BOSS WITH
0.094 DIA. HOLE
(8) PLACES

FOUR (4) M3 x 0.630" LG. SCREWS
SUPPLIED FOR ASSEMBLING BODY
TOP TO BOTTOM

FOUR (4) M3 x 0.315" LG. CSK. SCREWS
SUPPLIED FOR ASSEMBLING SLOPE
PANEL TO BODY TOP

FOUR (4) RUBBER PUSH-ON FEET SUPPLIED

MOUNTING BOSSES USE EITHER M2.5 METRIC
OR #4 STD. SHEET METAL SCREWS x 0.188"
LG. (NOT SUPPLIED)

NOTE: ALL DIMENSIONS HAVE ±0.015
TOLERANCE UNLESS OTHERWISE SPECIFIED

* THESE INSIDE DIMENSIONS ARE TAKEN
FROM CLOSED END OF THE BOX.
DIMENSIONS INCREASE SLIGHTLY AT
OPEN END DUE TO TAPER.