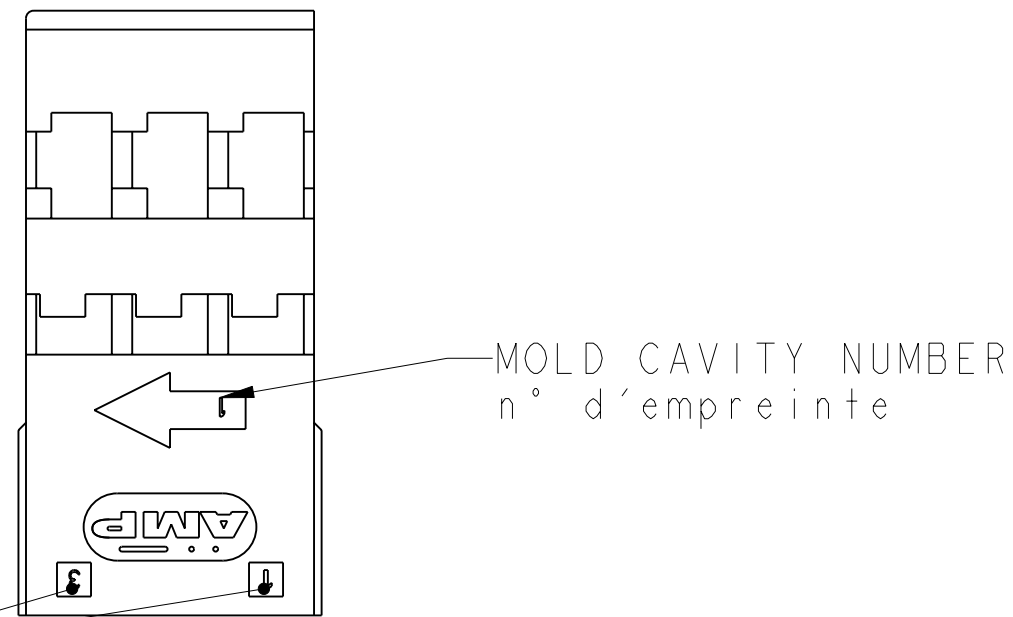
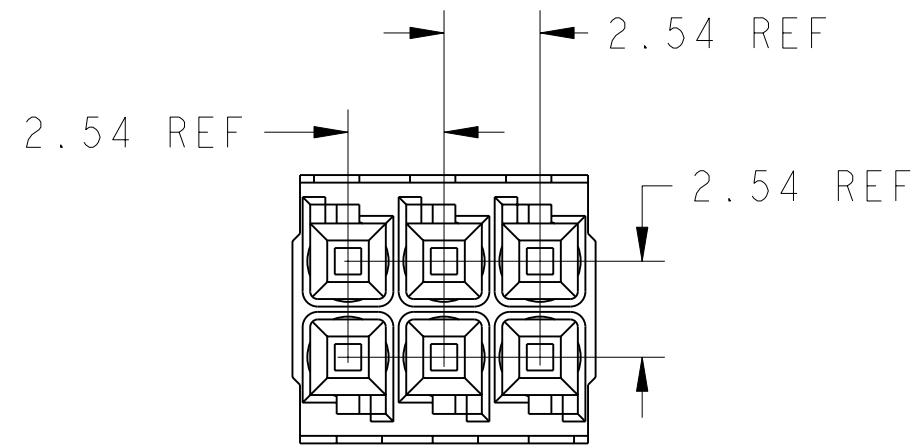
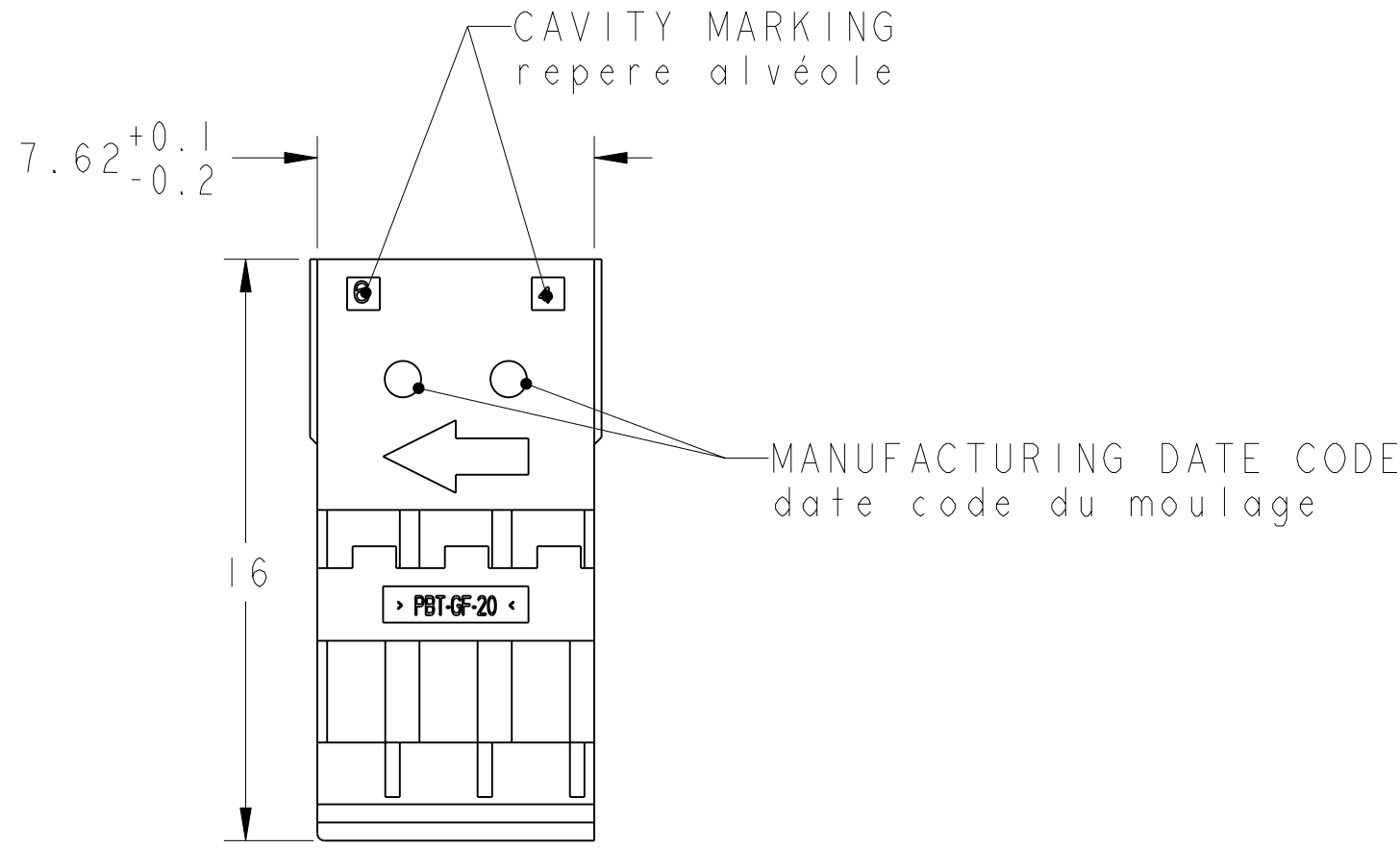
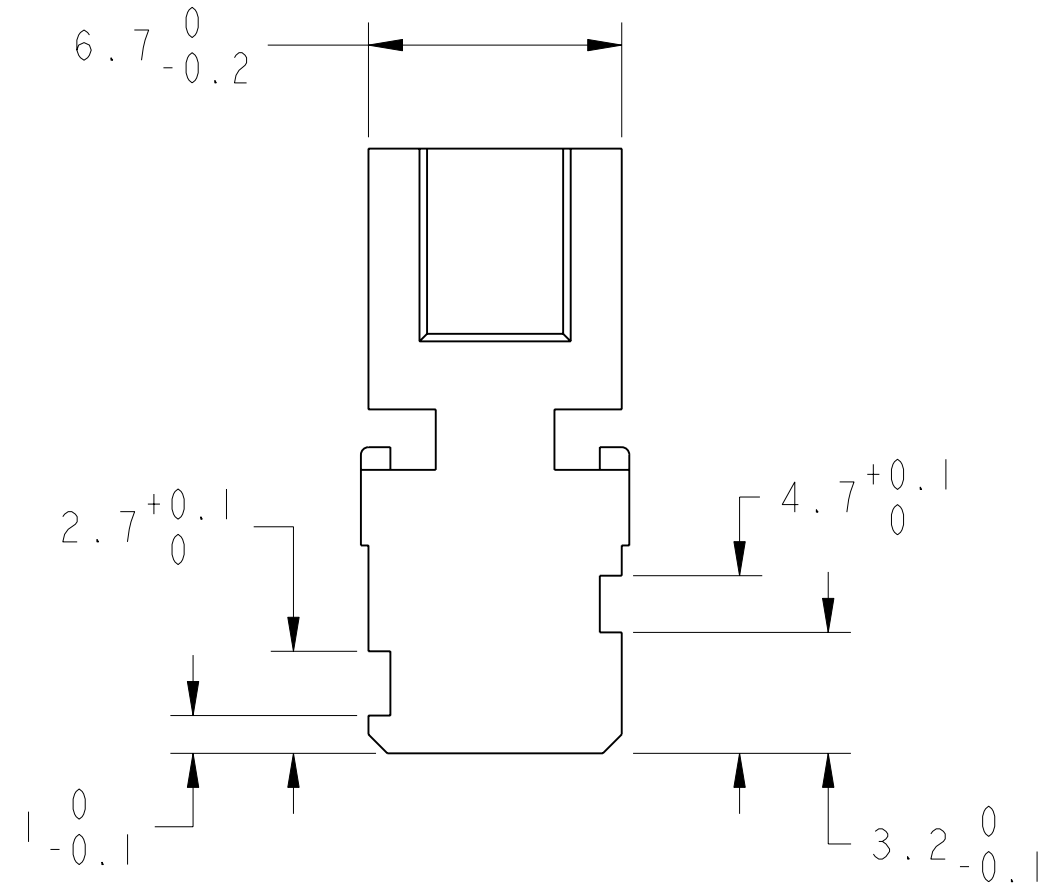


THIS DRAWING IS UNPUBLISHED.  
 DIFFUSION RESTREINTE  
 © COPYRIGHT 2008 BY -  
 RELEASED FOR PUBLICATION  
 LIBRE A LA DIFFUSION  
 2008  
 ALL RIGHTS RESERVED.  
 TOUS DROITS RESERVES

LOC	DIST	REVISIONS					
		P	LTR	DESCRIPTION MODIFICATIONS	DATE	DWN. DESS.	APVD APP.
F	00		AI	REVISED PER ECO-11-005150	28MAR2011	RK	HMR



PBT GF 20% PBF 20% FV	BLACK noir	185311-1
MATERIAL matiere	COLOR couleur	PART NO

THIS DRAWING IS A CONTROLLED DOCUMENT.		DWN/DESSINE M. POLIFONTE 09APR2008	TE Connectivity	
DIMENSIONS: mm		CHK/VERIFIE E. CHATELUS 09APR2008		
TOLERANCES UNLESS OTHERWISE SPECIFIED: TOLERANCES NON SPECIFIEES (SUIV. NR DE DECIMALES)		APVD/APROUVE X. ROUILLARD 09APR2008	NAME TITRE SOCKET HOUSING 6W FOR MQS MODULE 6 VOIES MQS	
±0.2 ANGLES ±5°		PRODUCT SPEC SPEC. PRODUIT 108-15142	SIZE FORMAT A2	
MATERIAL/MATIERE see table		APPLICATION SPEC SPEC. APPLICATION 411-15567	CAGE CODE 200779	DRAWING NO No PLAN C-185311
		WEIGHT MASSE APPROX. 0.6g	UNIQUEMENT POUR REFERENCE	RESTRICTED TO RESERVE A -
		CUSTOMER DRAWING /PLAN CLIENT	SCALE Echelle 5:1	SHEET FEUILLE 1
			OF DE 1	REV AI