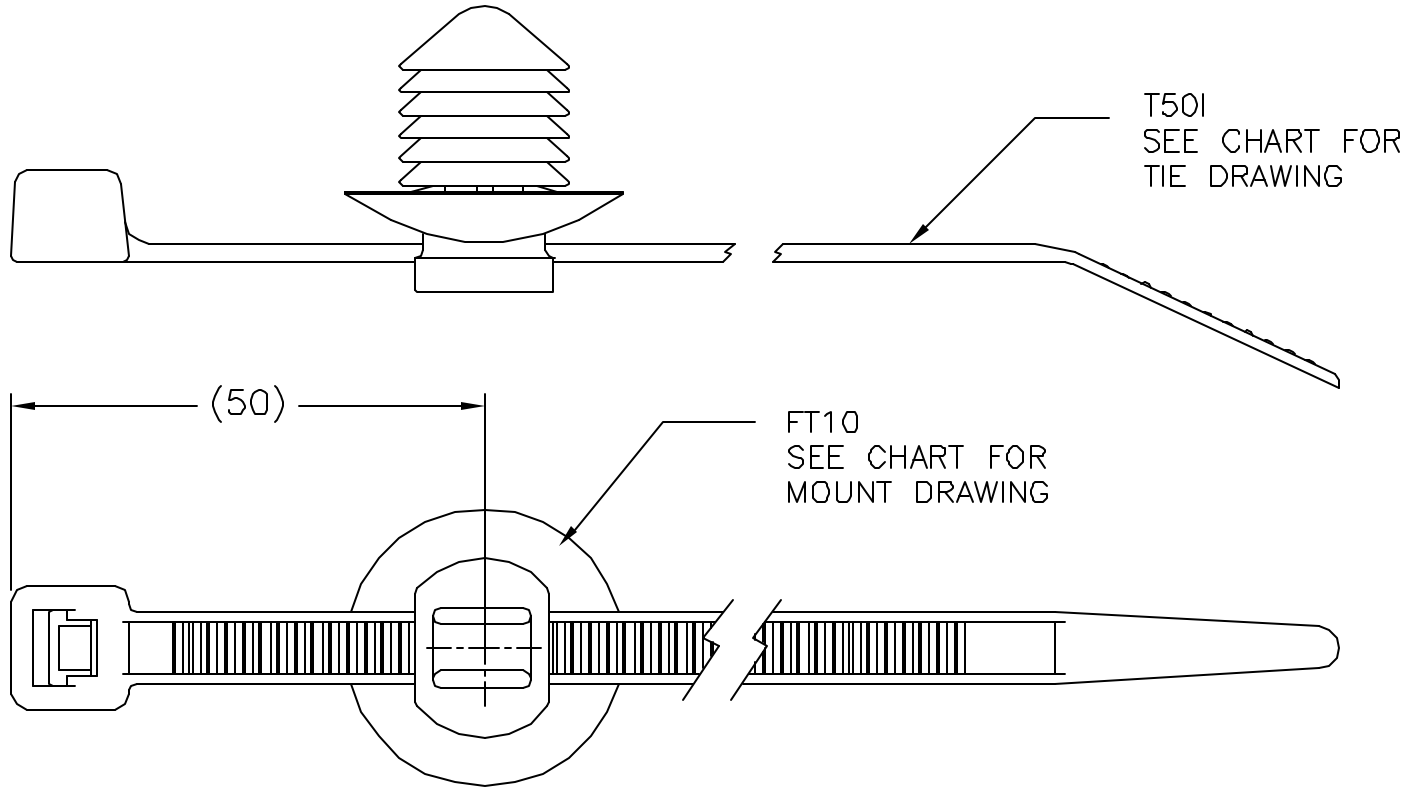


Revision level		Revision Record	Changed	Date	Approved	Date
part	drawing					
-	01	See ECN 010302	A.A.C.	01/03/06	KEN C.	01/06/06



**PRODUCT CODE DESCRIPTION**

T50IFT10\_HS

TIE COLOR  
(CONSULT FACTORY FOR AVAILABLE COLORS)

PRODUCT CODE	TIE MATERIAL	BUNDLE RANGE	TIE DRAWING	MOUNT DRAWING
T50IFT10_	PA66HS	1.5 to 85	CT2050008CST	XMT-INSL006CST

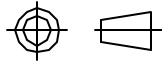
Dimension tolerances unless otherwise specified

- .XXXX = ± .0130
- .XXX = ± .130
- .XX = ± .30
- X = ± .8
- < = ± 0.5°

Dimension Units mm

PERFORMANCE SPECIFICATION

ACAD MECH  
2006



ALL PROPRIETARY RIGHTS IN THE SUBJECT MATTER SHOWN ON THIS DRAWING ARE EXCLUSIVE PROPERTY OF HELLERMANN TYTON

Drawn	A.A.C.	01/03/06
Approved	K.A.C.	01/06/06

**HellermannTyton**

7930 N. Faulkner Rd.  
Milwaukee, WI 53224  
Ph: (414) 355-1130  
Fx: (414) 362-8338

Scale	2:1	Computer File Number	CT\CST\2050051_01
Title			

**T50IFT10  
STANDARD CABLE TIE  
WITH FT10 MOUNT**

Drawing-No	<b>CT2050051CST</b>	Format	AH
		Sheet 1 of 1	