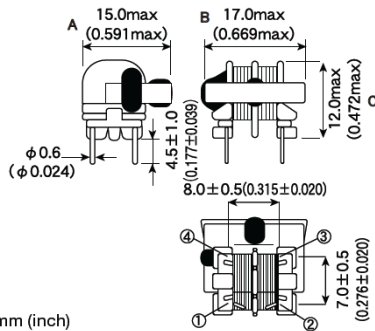


# Leaded Common Mode Choke Coils for AC Lines

## TLF9UAH103WR23K1



Unit : mm (inch)

### ■ Features

- Item Summary  
10 mH, 0.23 A, 15.0x17.0x12mm
- Lifecycle Stage  
Mass Production
- Standard packaging quantity (minimum)  
Bulk 500pcs

### ■ Products characteristics table

|                               |   |
|-------------------------------|---|
| No. of Lines                  | 2   |
| Common Mode Inductance        | 10 mH +100/-10%                                   |
| Case Size (mm)                | 15.0x17.0   |
| DC Resistance (max)           | 4.5 Ω   |
| Rated Current (max)           | 0.23 A  |
| Rated Voltage (max)           | AC250 V   |
| Operating Temp. Range         | -25 to +105 °C<br>(Including-self-generated heat) |
| Insulation Resistance (min)   | 100 MΩ  |
| RoHS2 Compliance (10 subst.)  | Yes   |
| REACH Compliance (173 subst.) | Yes   |
| Soldering                     | Wave  |

### ■ External Dimensions

|             |             |
|-------------|-------------|
| Dimension A | Max 15.0 mm |
| Dimension B | Max 17.0 mm |
| Dimension C | Max 12.0 mm |

2017.04.30

The data is reference only. Electrical characteristics vary depending on environment or measurement condition. TAIYO YUDEN reserves the right to make change to the Date at any time without notice. Before making final selection, please check product specification.