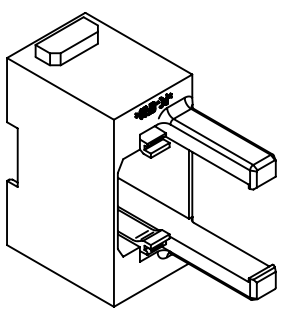
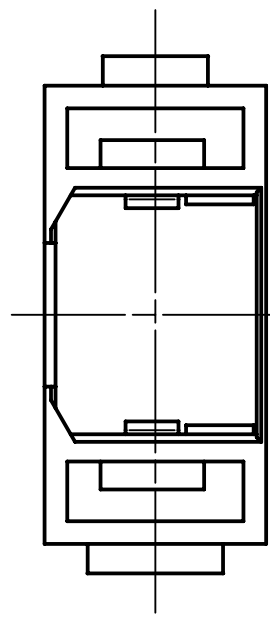
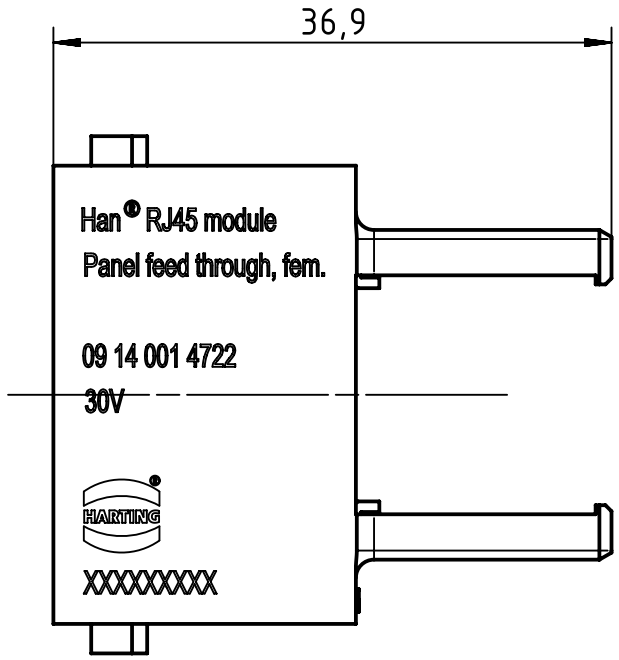
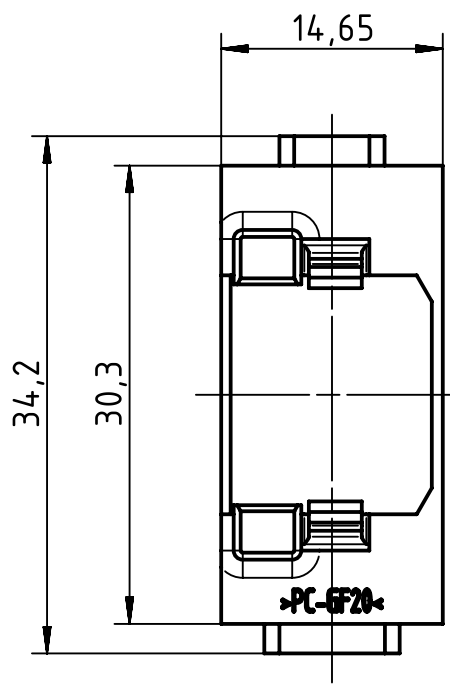


1 2 3 4 5 6

A
B
C
D



	All Dimensions in mm Original Size DIN A4		Scale 2:1	Free size tol.		Ref.		
						Sub.		
	All rights reserved Department EL PD - DE		Created by MOELLERLI	Inspected by FERDERERA	Standardisation RUETERA	Date 2014-12-03	State Final Release	
	HARTING Electric GmbH & Co. KG D-32339 Espelkamp		Title Han RJ45 module panel feed through, fem.				Doc-Key / ECM-Nr. 100506715/UGD/004/D 500000082610	
			Type TB	Number 09 14 001 4722			Rev. D	Page 1/1