

THIS DRAWING IS UNPUBLISHED.

RELEASED FOR PUBLICATION

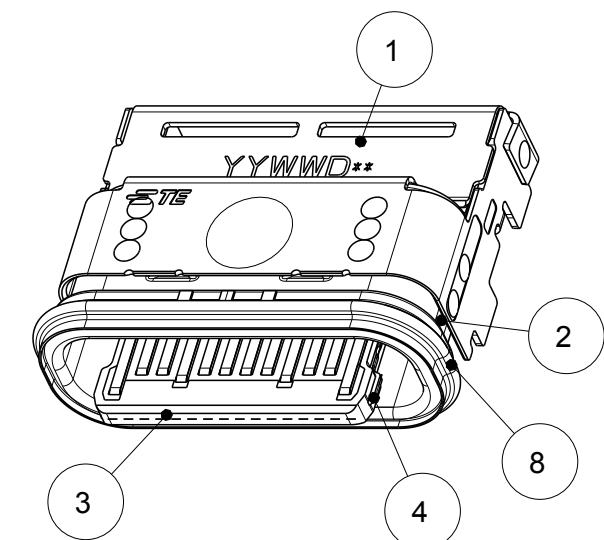
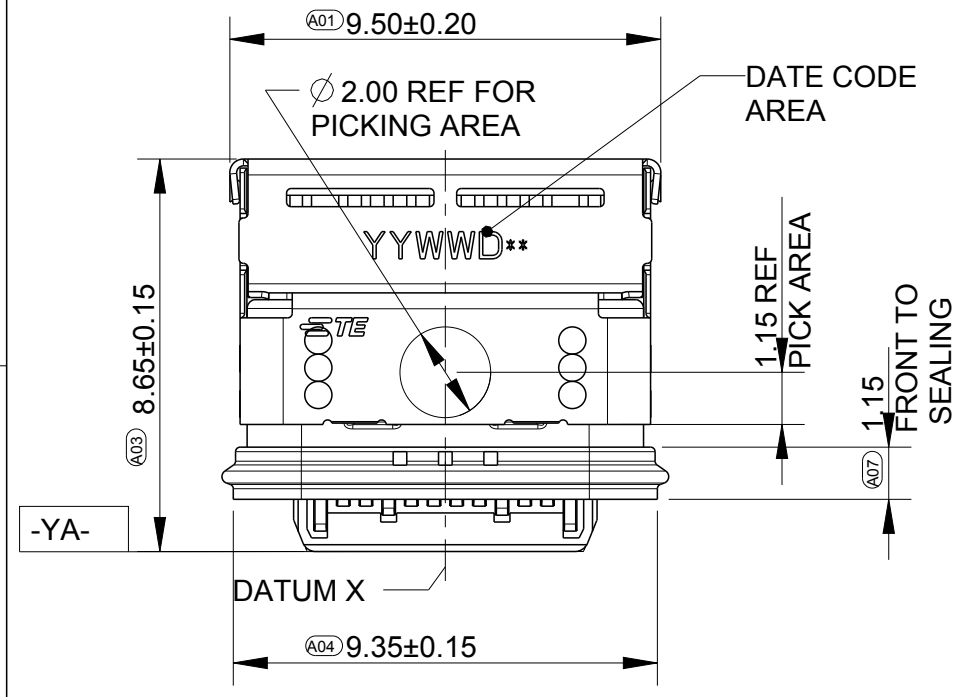
20

© COPYRIGHT 20 BY - ALL RIGHTS RESERVED.

REVISIONS

P	LTR	DESCRIPTION	DATE	DWN	APVD
6		MAIN SHELL IMPROVE FLANGE, UPDATE PAD ON PCB	28DEC2017	S.ZH	H.W
7		ADD NEW PN WITH GREEN COLOR HOUSING	08MAY2018	S.ZH	S.L

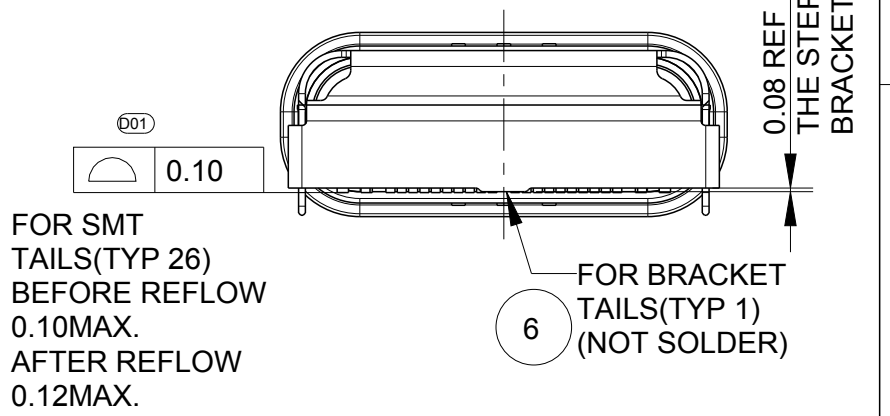
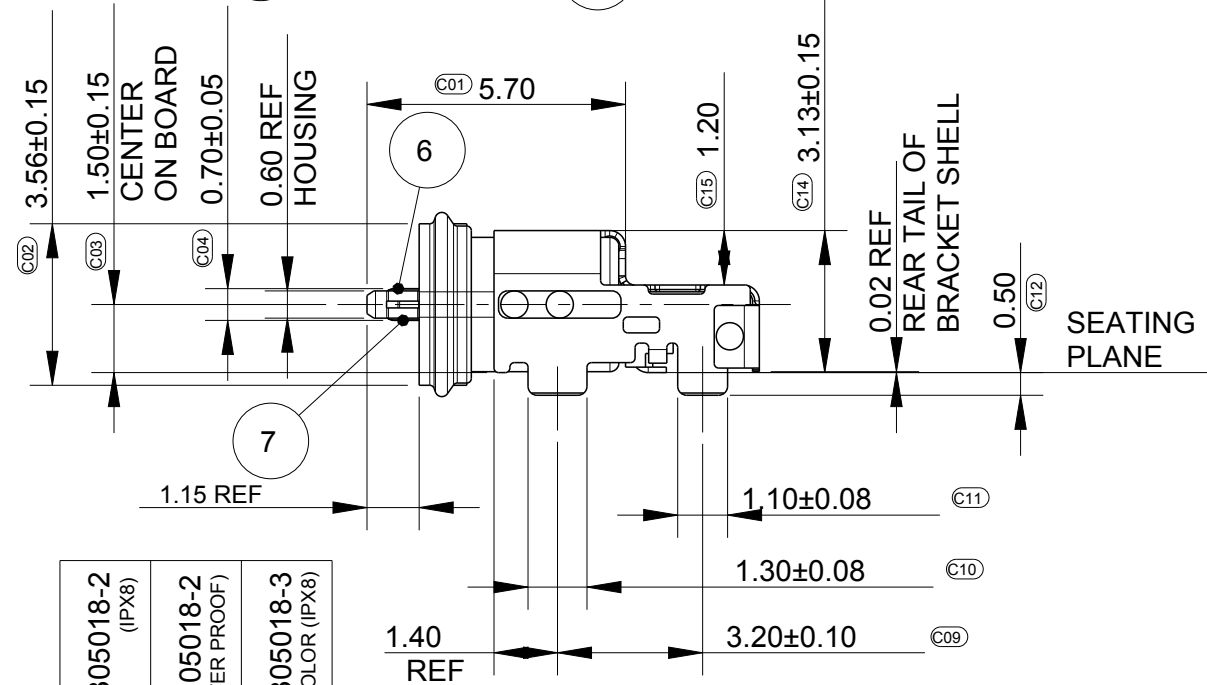
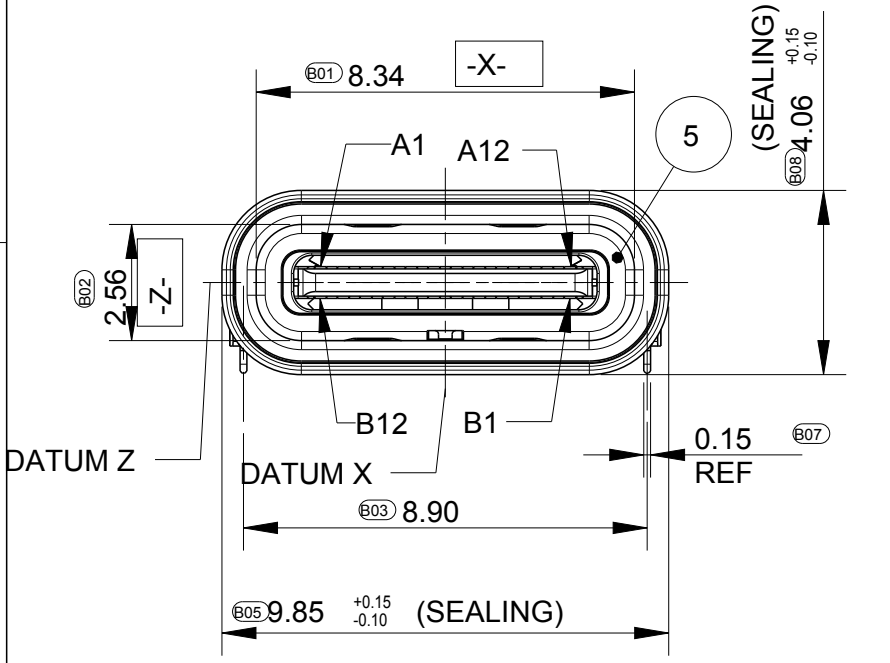
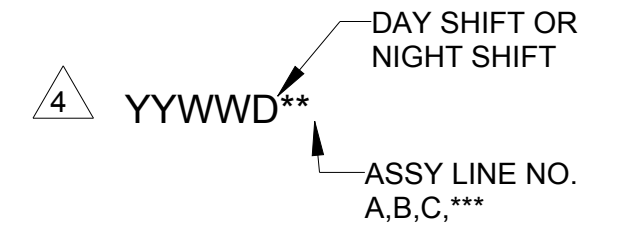
SHOWN AS:2305018-2



NOTES:
 1.MATERIAL :
 SEE TABLE "A".
 2.FINISH :
 SEE TABLE "A".

- △ 3 . PICKING AREA
- △ 4 . DATE CODE AREA

5. SC = SHARP CORNER



2305018-2 (IPX8)	1-2305018-2 (NONE WATER PROOF)	2305018-3 GREEN COLOR (IPX8)
1	1	1
1	-	1
1	1	1
1	1	1
1	1	1
1	1	1
1	1	1
1	1	1
1	1	1

TABLE "A"

ITEM	DESCRIPTION	MATERIAL	REMARK	Q'TY	Q'TY	Q'TY
9	POTTING	SILICONE		1	1	1
8	SEALING	SILICONE		1	-	1
7	LOWER CONTACT	COPPER ALLOY OR EQUIVALENT	FUNCTION AREA: Au 0.75um PLATED. SOLDER AREA: GOLD FLASH PLATED. OVERALL NI PLATED CLEANING	1	1	1
6	UPPER CONTACT	COPPER ALLOY OR EQUIVALENT		1	1	1
5	INNER SHELL	STAINLESS STEEL OR EQUIVALENT		1	1	1
4	MID-PLATE	STAINLESS STEEL	NI PLATED ON SOLDER TAIL	1	1	1
3	MAIN IM	HIGH TEMPERATURE THERMO PLASTIC	GREEN, UL94V-0 BLACK, UL94V-0	1	1	1
2	MAIN SHELL	STAINLESS STEEL OR EQUIVALENT	CLEANING	1	1	1
1	BRACKET SHELL	STAINLESS STEEL	NI PLATED	1	1	1

THIS DRAWING IS A CONTROLLED DOCUMENT.

DIMENSIONS:	TOLERANCES UNLESS OTHERWISE SPECIFIED:
mm	
	0 PLC ±0.5
	1 PLC ±0.25
	2 PLC ±0.25
	3 PLC ±0.25
	4 PLC ±0.25
	ANGLES ±3°
MATERIAL	FINISH
-	-
-	-

DWN	12-DEC-2016
CHK	SOLDIER ZHANG
CHK	12-DEC-2016
APVD	HAPYE WU
APVD	12-DEC-2016
PRODUCT SPEC	HAPYE WU
APPLICATION SPEC	108-115129-2
WEIGHT	501-115141-2
	-
CUSTOMER DRAWING	

STE TE Connectivity

NAME
TYPE C RECEPTACLE ON BOARD

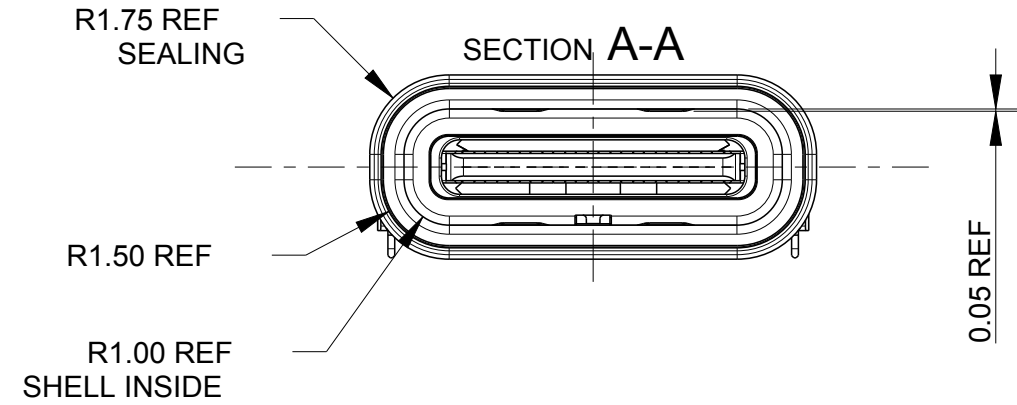
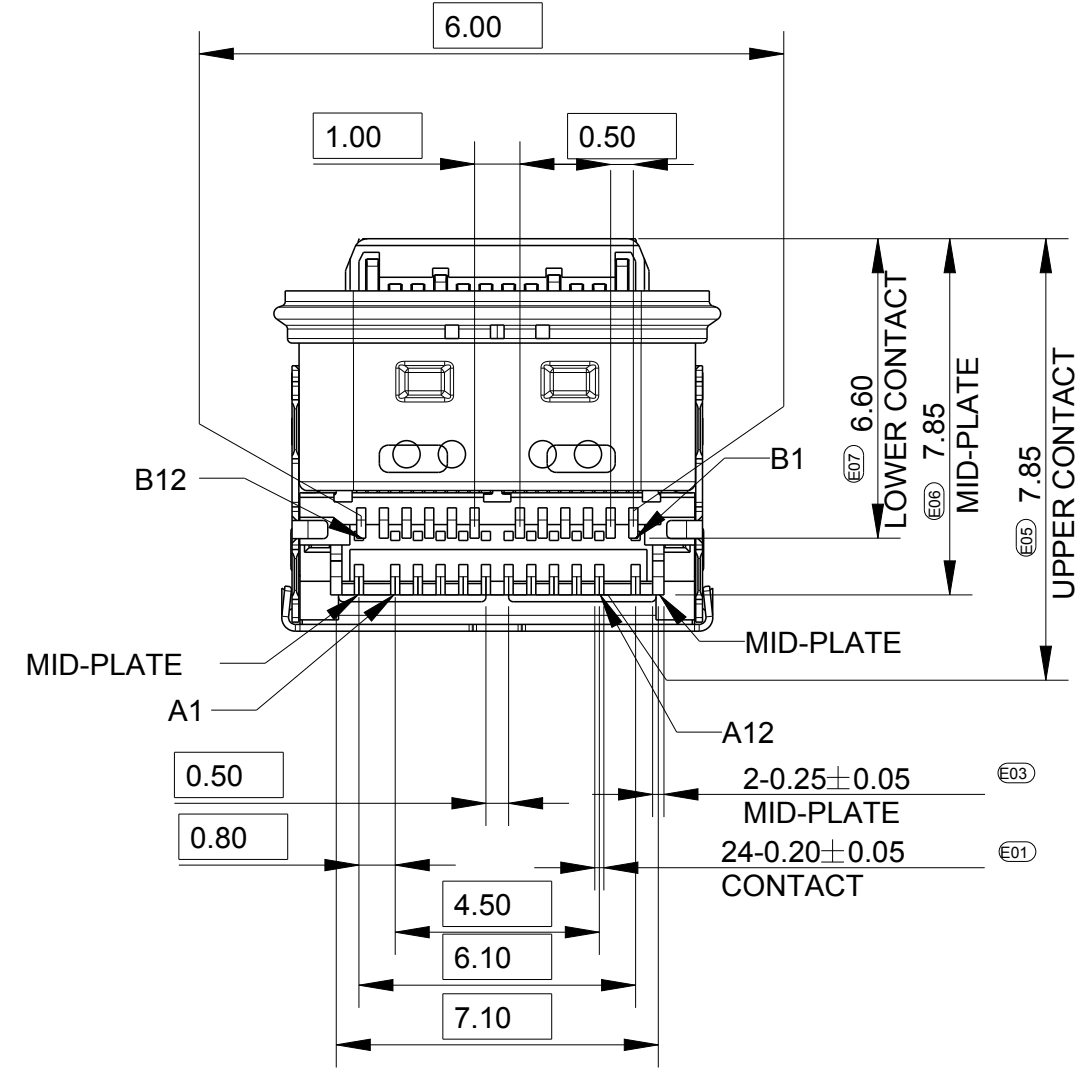
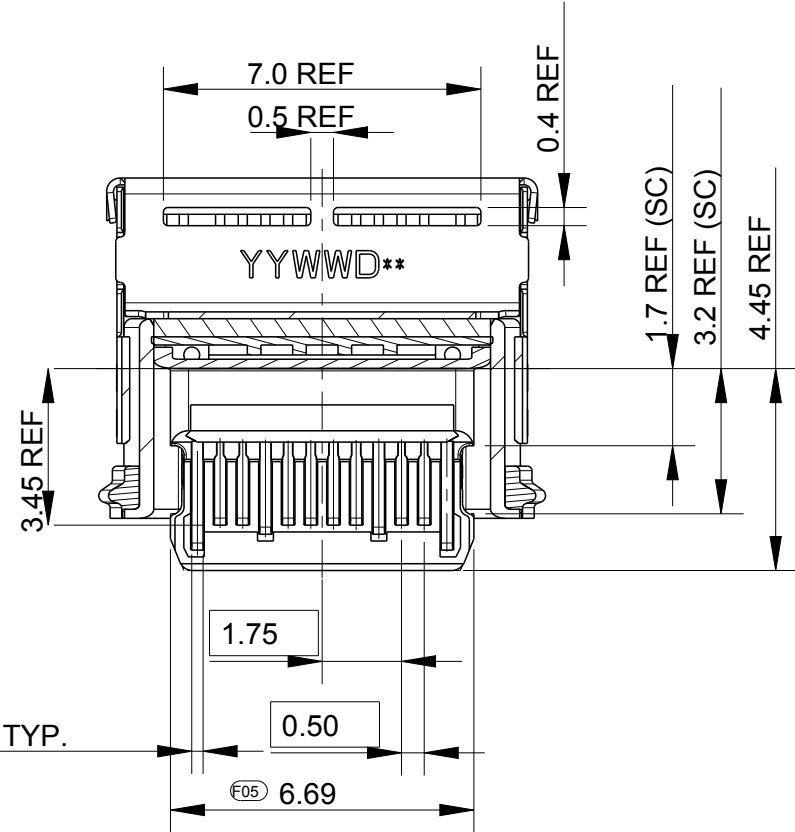
SIZE	CAGE CODE	DRAWING NO	RESTRICTED TO
A3	-	C-2305018	-


SCALE 6:1 SHEET 1 OF 5 REV 7

REVISIONS

P	LTR	DESCRIPTION	DATE	DWN	APVD
-	-	SEE SHEET 1	-	-	-

SHOWN AS:2305018-2



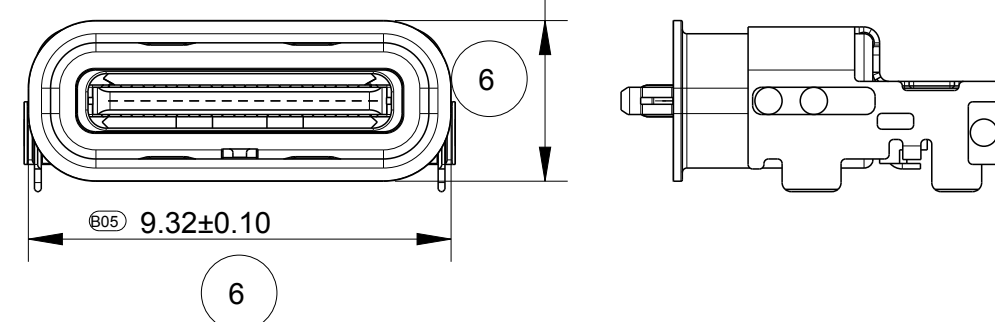
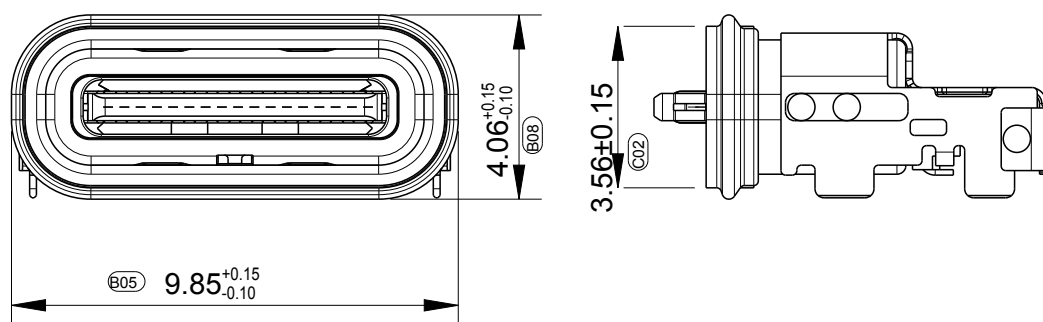
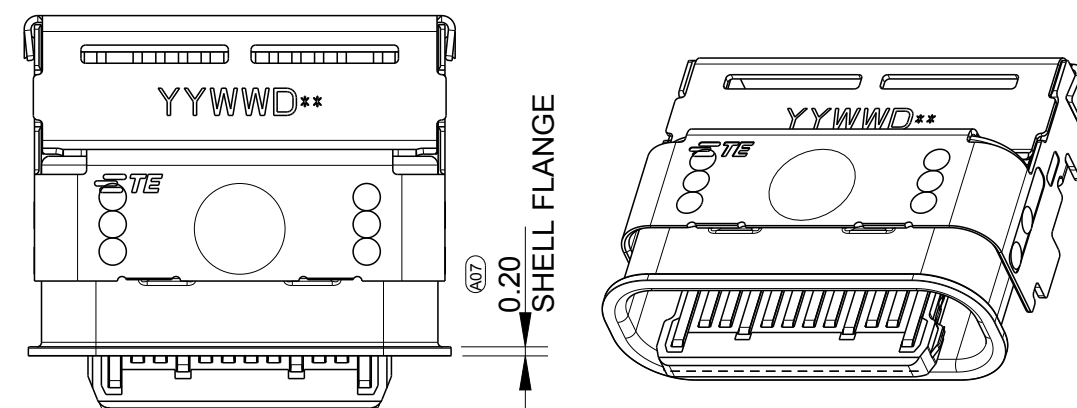
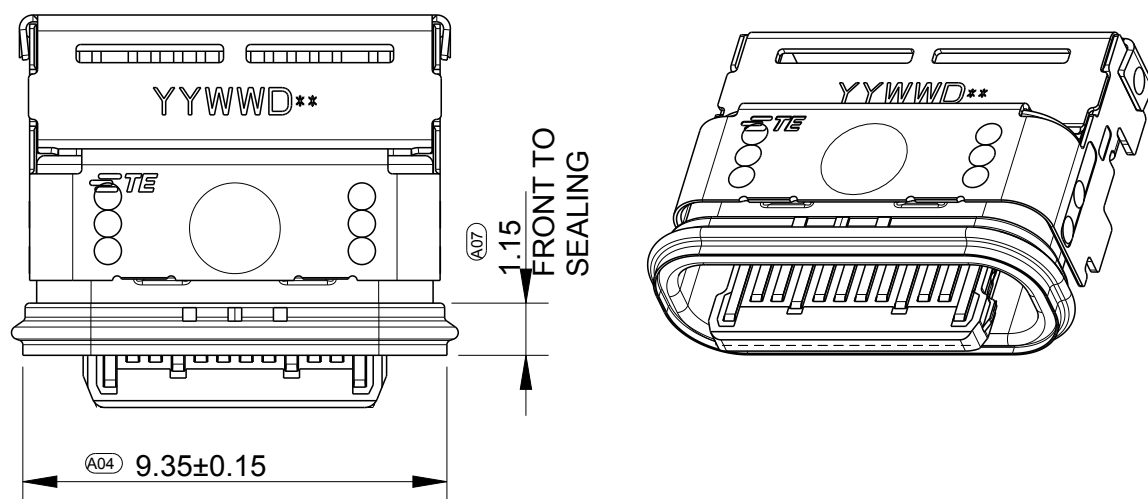
THIS DRAWING IS A CONTROLLED DOCUMENT.		DWN 12-DEC-2016 SOLDIER ZHANG	 TE Connectivity	
DIMENSIONS: mm		CHK 12-DEC-2016 HAPYE WU		
TOLERANCES UNLESS OTHERWISE SPECIFIED:		APVD 12-DEC-2016 HAPYE WU	NAME TYPE C RECEPTACLE ON BOARD	
0 PLC ±0.5 1 PLC ±0.25 2 PLC ±0.25 3 PLC ±0.25 4 PLC ±0.25 ANGLES ±3°		PRODUCT SPEC 108-115129-2	SIZE A3	
MATERIAL		APPLICATION SPEC 501-115141-2	CAGE CODE -	DRAWING NO C-2305018
FINISH		WEIGHT -	RESTRICTED TO -	SCALE 6:1
		CUSTOMER DRAWING	SHEET 2	OF 5
			REV 7	

REVISIONS

P	LTR	DESCRIPTION	DATE	DWN	APVD
-	-	SEE SHEET 1	-	-	-

SHOWN AS: 2305018-2, 2305018-3

SHOWN AS: 1-2305018-2



THIS DRAWING IS A CONTROLLED DOCUMENT.

DWN 12-DEC-2016

SOLDIER ZHANG

CHK 12-DEC-2016

HAPYE WU

APVD 12-DEC-2016

HAPYE WU

PRODUCT SPEC

108-115129-2

APPLICATION SPEC

501-115141-2

WEIGHT

-

CUSTOMER DRAWING



TE Connectivity

NAME TYPE C RECEPTACLE ON BOARD

-

SIZE

A3

CAGE CODE

-

DRAWING NO

C-2305018

RESTRICTED TO

-

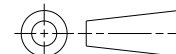
SCALE 6:1

SHEET 3 OF 5

REV 7

DIMENSIONS:

mm



TOLERANCES UNLESS OTHERWISE SPECIFIED:

0 PLC	±0.5
1 PLC	±0.25
2 PLC	±0.25
3 PLC	±0.25
4 PLC	±0.25
ANGLES	±3°

MATERIAL

-

FINISH

-

THIS DRAWING IS UNPUBLISHED.

RELEASED FOR PUBLICATION

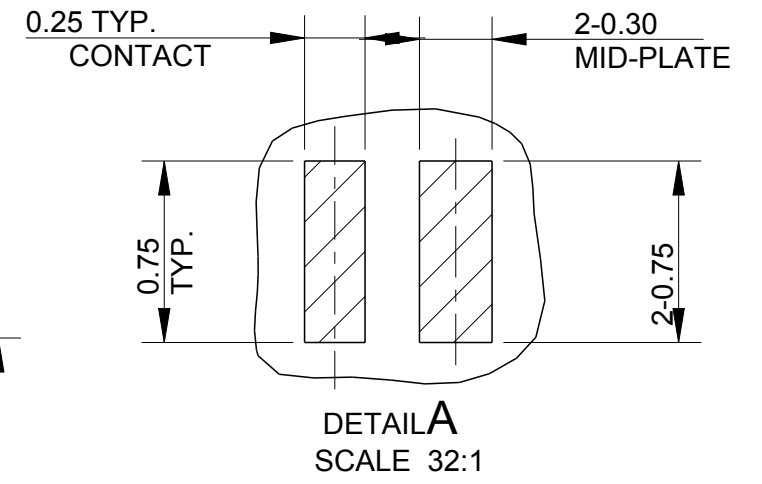
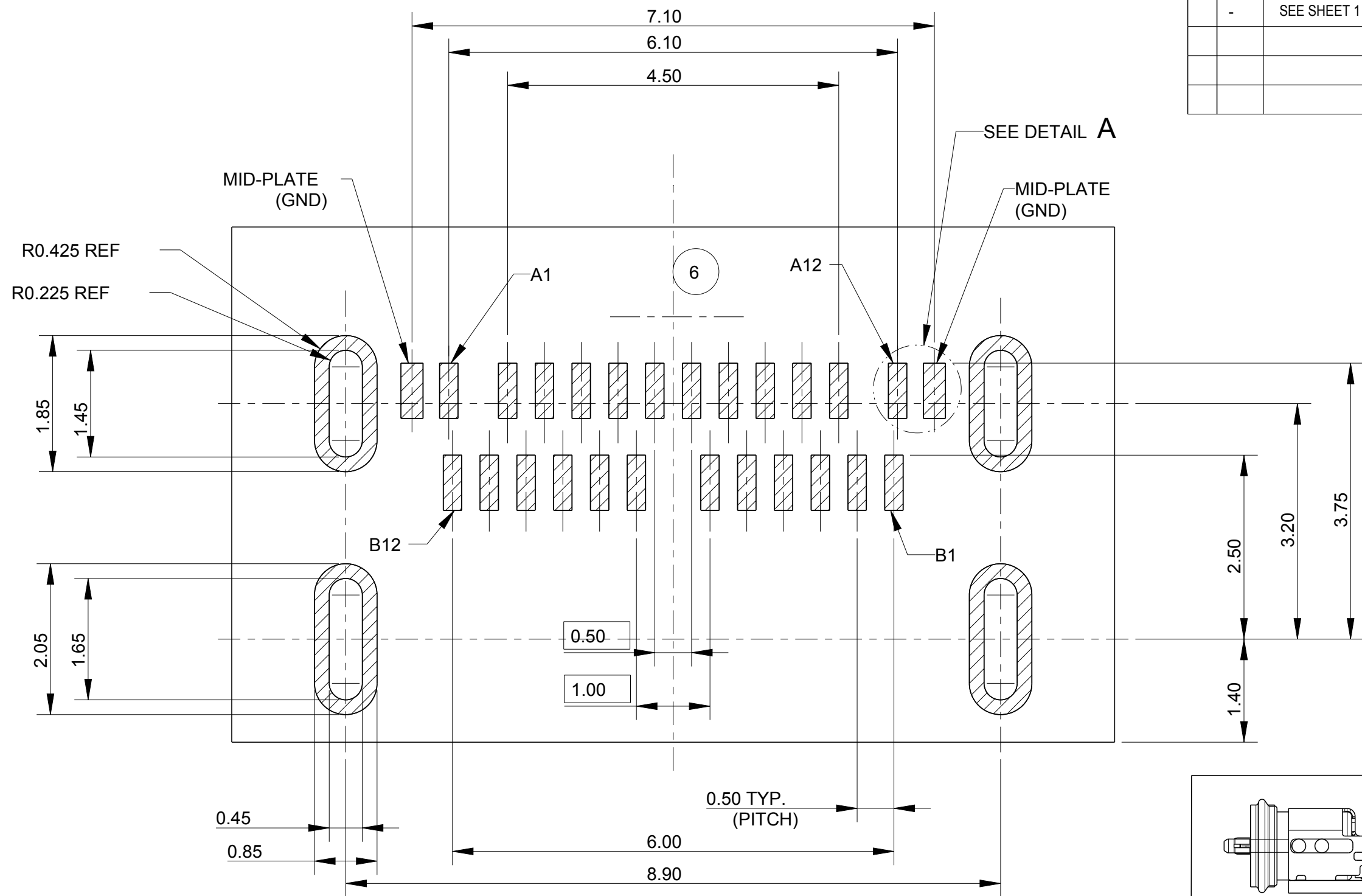
20

© COPYRIGHT 20 BY -

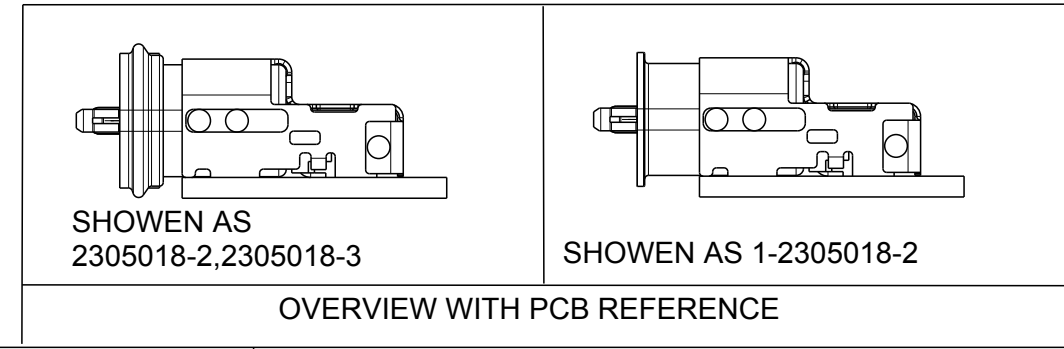
ALL RIGHTS RESERVED.

REVISIONS

P	LTR	DESCRIPTION	DATE	DWN	APVD
-	-	SEE SHEET 1	-	-	-



PCB LAYOUT REFERENCE THICKNESS 0.55 mm
GENERAL TOLERANCE: ± 0.03



RECEPTACLE PIN LABEL:

A1	A2	A3	A4	A5	A6	A7	A8	A9	A10	A11	A12
GND	TX1+	TX1-	VBUS	CC1	D+	D-	SBU1	VBUS	RX2-	RX2+	GND
GND	RX1+	RX1-	VBUS	SBU2	D-	D+	CC2	VBUS	TX2-	TX2+	GND
B12	B11	B10	B9	B8	B7	B6	B5	B4	B3	B2	B1

THIS DRAWING IS A CONTROLLED DOCUMENT.

DIMENSIONS:	TOLERANCES UNLESS OTHERWISE SPECIFIED:
mm	
	0 PLC ±0.5
	1 PLC ±0.25
	2 PLC ±0.25
	3 PLC ±0.25
	4 PLC ±0.25
	ANGLES ±3°
MATERIAL	FINISH
-	-

DWN	12-DEC-2016
SOLDIER ZHANG	
CHK	12-DEC-2016
HAPYE WU	
APVD	12-DEC-2016
HAPYE WU	
PRODUCT SPEC	108-115129-2
APPLICATION SPEC	501-115141-2
WEIGHT	-
CUSTOMER DRAWING	

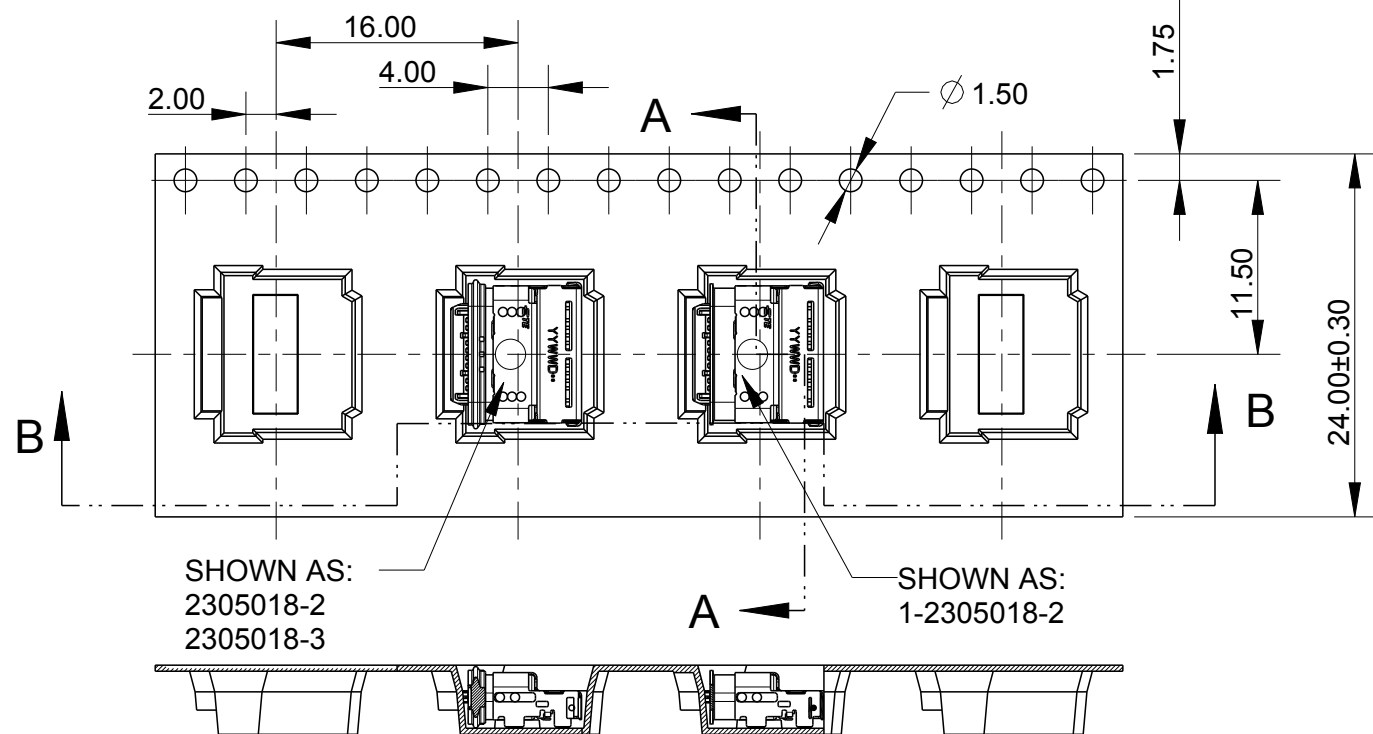
		TE Connectivity	
		NAME	
TYPE C RECEPTACLE ON BOARD			
-			
SIZE	CAGE CODE	DRAWING NO	RESTRICTED TO
A3	-	C-2305018	-
SCALE		SHEET	REV
6:1		4 OF 5	7

REVISIONS

P	LTR	DESCRIPTION	DATE	DWN	APVD
-	-	SEE SHEET 1	-	-	-

SHOWN AS: 2305018-2, 2305018-3, 1-2305018-2

CUSTOMER FEED DIRECTION

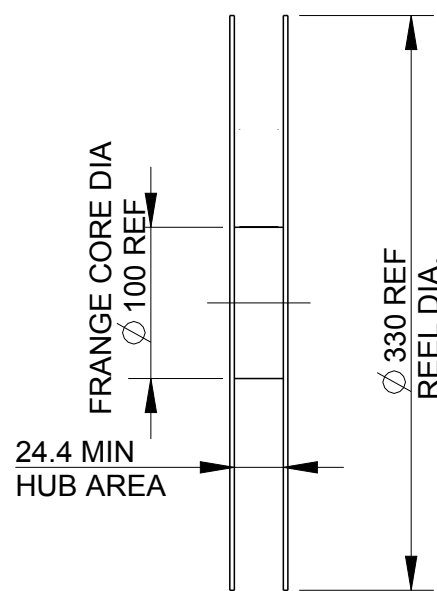


NOTE:

1. PACKAGE SPECIFIED PER EIA-481 UNLESS OTHERWISE.
2. EMBOSS: ANTISTATIC MATERIAL, COLOR: TRANSPARENT
3. COVER: ANTISTATIC MATERIAL, COLOR: TRANSPARENT AND COVER TYPE IS THERMO-COMPRESSON SEALING.
4. USER DIRECTION OF UNREELING.

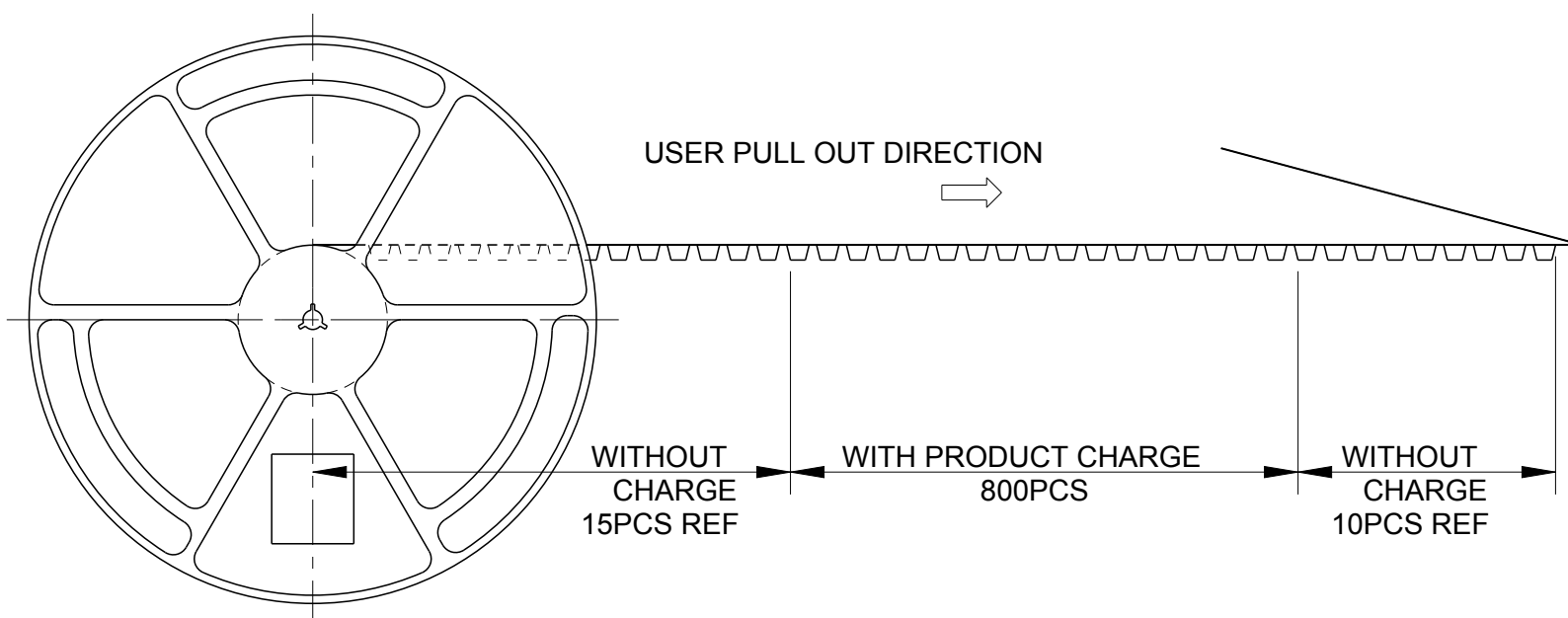
SECTION A-A

SECTION B-B



330 REF REEL DIA.

USER PULL OUT DIRECTION

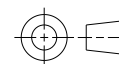


THIS DRAWING IS A CONTROLLED DOCUMENT.



DIMENSIONS:

mm



TOLERANCES UNLESS OTHERWISE SPECIFIED:

0 PLC	±0.5
1 PLC	±0.25
2 PLC	±0.25
3 PLC	±0.25
4 PLC	±0.25
ANGLES	±3°

MATERIAL

-

FINISH

-

DWN 12-DEC-2016

SOLDIER ZHANG

CHK 12-DEC-2016

HAPYE WU

APVD 12-DEC-2016

HAPYE WU

PRODUCT SPEC

108-115129-2

APPLICATION SPEC

501-115141-2

WEIGHT

-



TE Connectivity

NAME
TYPE C RECEPTACLE
ON BOARD

SIZE

A3

CAGE CODE

-

DRAWING NO

C-2305018

RESTRICTED TO

-

CUSTOMER DRAWING

SCALE

NA

SHEET

5 OF 5

REV

7