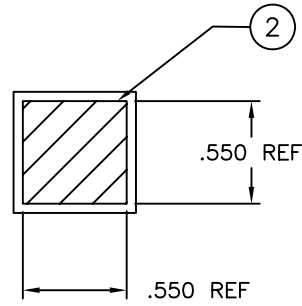
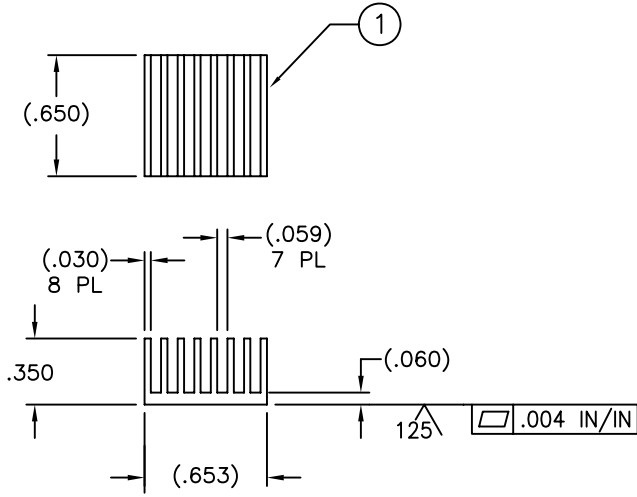


2

1

REVISIONS

REV	EC#	DESCRIPTION	DATE	APPROVED
A	3911	RELEASED PER EC	3/12/02	DB
B	3916	REVISED PER EC	3/14/02	DB



NOTES:

- 1. (XXX) INDICATES A KEY PRODUCT CHARACTERISTIC (KPC) DIMENSION.

1	WAKEFIELD 16457 HEATSINK
2	CHOMERICS T411 INTERFACE

ALL INFORMATION DISCLOSED BY THIS DOCUMENT IS CONSIDERED CONFIDENTIAL AND PROPRIETARY BY WAKEFIELD ENGINEERING INC.
 ALL DESIGN, MANUFACTURE, USE, REPRODUCTION AND SALE RIGHTS ARE RESERVED BY WAKEFIELD ENGINEERING INC.

UNLESS OTHERWISE SPECIFIED, DIMENSIONS ARE IN INCHES.

TOLERANCES

DECIMALS: .XX±.02
 ANGLES: ±0.5°
 .XXX±.005
 DO NOT SCALE DRAWING

FILE NAME: R:\RELDWGS

APPROVALS	DATE:
DRAWN: G. DASILVA	3/12/02
CHK.	



33 BRIDGE ST.
 PELHAM, NH
 TEL. (603) 635-2800
 FAX. (603) 635-1900

TITLE:
 ASSEMBLY
 DRAWING

MATERIAL:
 6063-T5 ALUM

DESIGN/APP ENG: D. BELLEROSE	3/12/02
---------------------------------	---------

FINISH:
 BLACK ANODIZE

MFG ENG:	
----------	--

DRAWING SIZE	CAGE CODE	DRAWING NO.	REV.
A	92678	LTN20069	B

EXTRUSION USED:
 16457

QA:	
-----	--

SCALE: 1:1 SHEET 1 OF 1

2

1