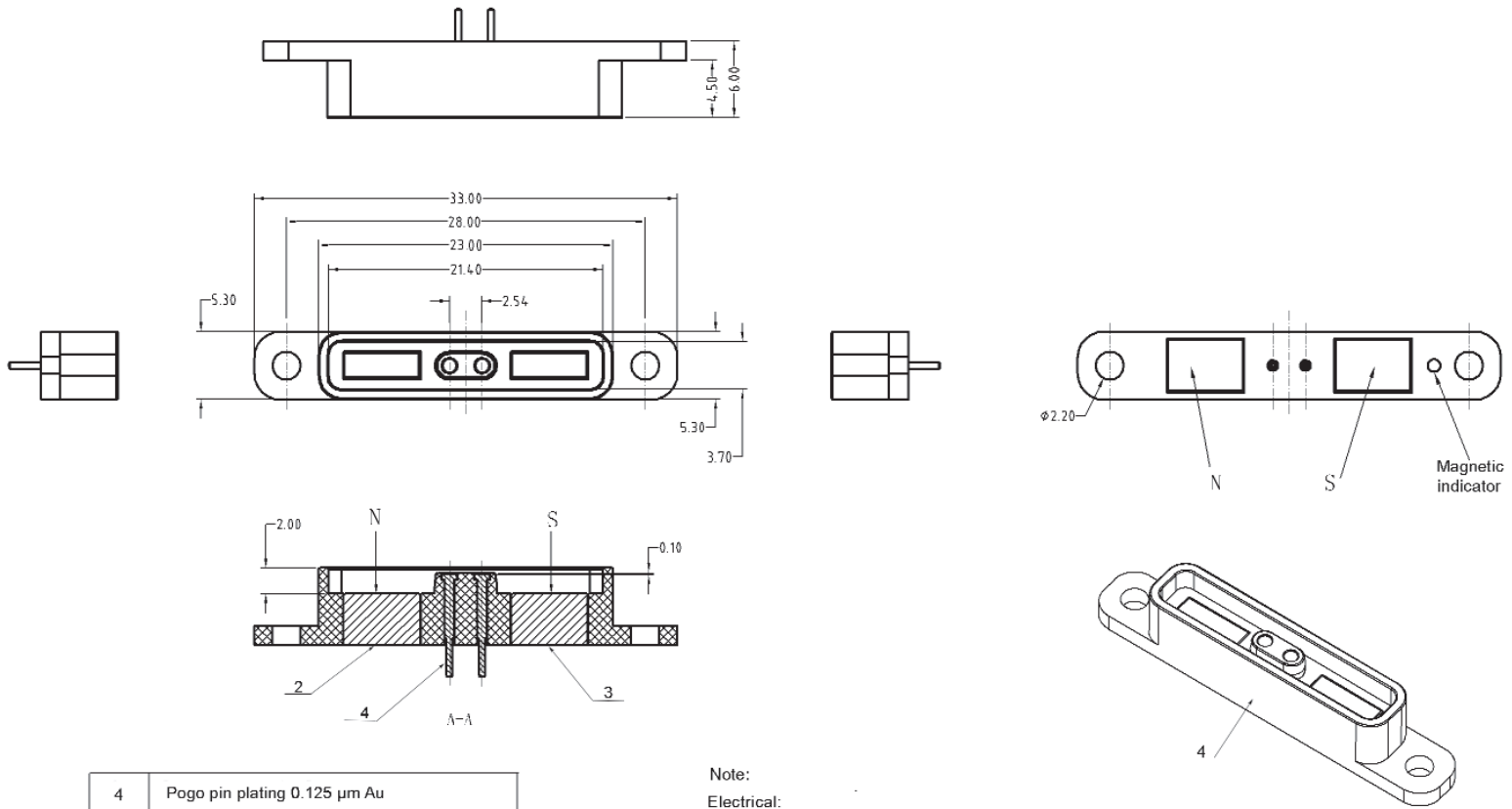


PROPRIETARY INFORMATION:
 PROPRIETARY OF GLOBTEK, INC. ANY REPRODUCTION, DISCLOSURE OR USE OF THIS DRAWING, IN WHOLE OR IN PART, IS HEREBY PROHIBITED EXCEPT AS SPECIFIED IN WRITING BY GLOBTEK, INC.

| REVISION | | | |
|----------|--------------------------------|----------|----------|
| REV | DESCRIPTION | DATE | APPROVED |
| A | INITIAL RELEASE, RFS.26792, DR | 06/15/17 | DR |
| | | | |



| | |
|------|-----------------------------------|
| 4 | Pogo pin plating 0.125 μ m Au |
| 3 | N52 NdFeB Magnet plating Ni-Cu-Ni |
| 2 | N52 NdFeB Magnet plating Ni-Cu-Ni |
| 1 | Black HTN UL94V-0 |
| (NO) | (Specification) |

Note:
Electrical:
 Rated current & voltage: DC 12V, 2A Max.
 Contact resistance: 50 milliohm Max.
 100% open & short test

RELEASED
 By N.Frost at 5:24 pm, Jun 15, 2017



Contents of this document are subject to change without prior notice

Foot Note:
 Globtek Inc. will not be liable for the safety and performance of these power product if unauthorized access and repair occurs. End user should consult the applicable UL, CSA or EN Standards for proper installation instruction.

Limitation of Use:
 Globtek product are not authorized for use as mission critical components in life support, hazardous environment, nuclear or aircraft applications without prior written approval from the CEO of Globtek Inc.

| DASH NO. | PART NO | REV. | DESCRIPTION | NOTES |
|-------------------------|---------|----------------|---|---|
| TABULATION BLOCK | | | | |
| INIT.BY: DR | | DATE: 06/15/17 | TOLERANCES: DECIMALS ANGULAR .xx +/- 0.1 +/- 1° .xxx +/- .005 MILLIMETERS ANGULAR .xx +/- 0.3 +/- 1° .xxx +/- .013 | GlobTek, Inc. www.globtek.com 186 Veterans Dr. Northvale, NJ 07647 Tel. 201-784-1000 Fax 201.784.0111 |
| DRAWN: NF | | DATE: 06/15/17 | | |
| APRVD: DR | | DATE: 06/15/17 | FSCN No.: G, CC SIZE: A | REV. A |
| SCALE: NONE | | | PART NO: JACKMAG2C2A (R) | SHEET 1/1 |