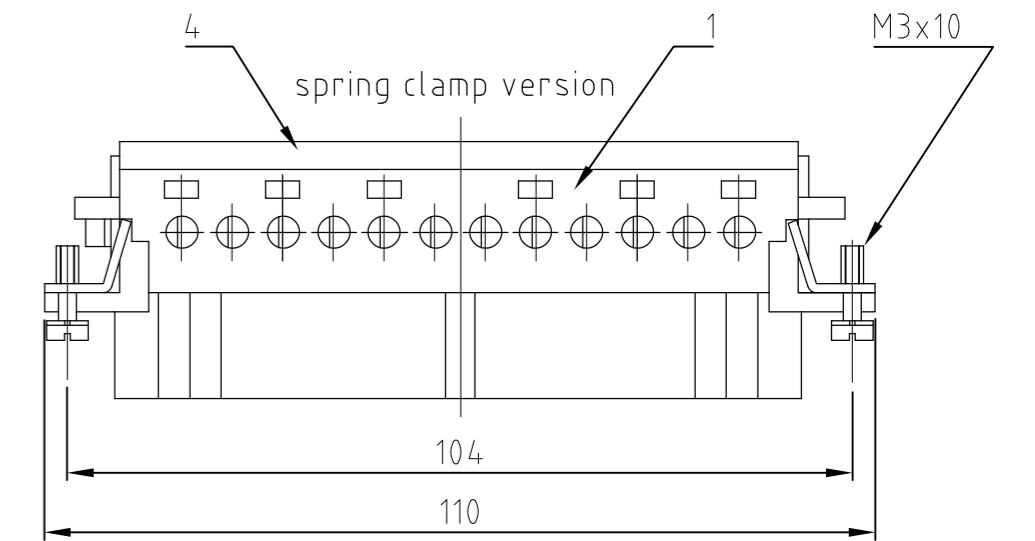
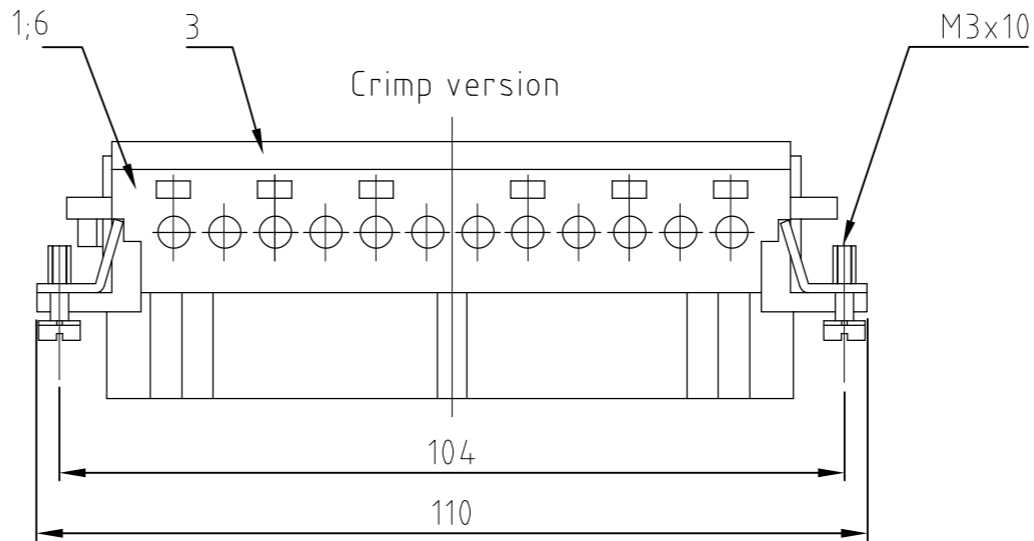
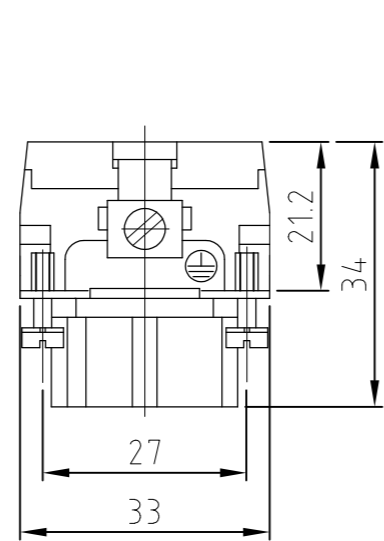
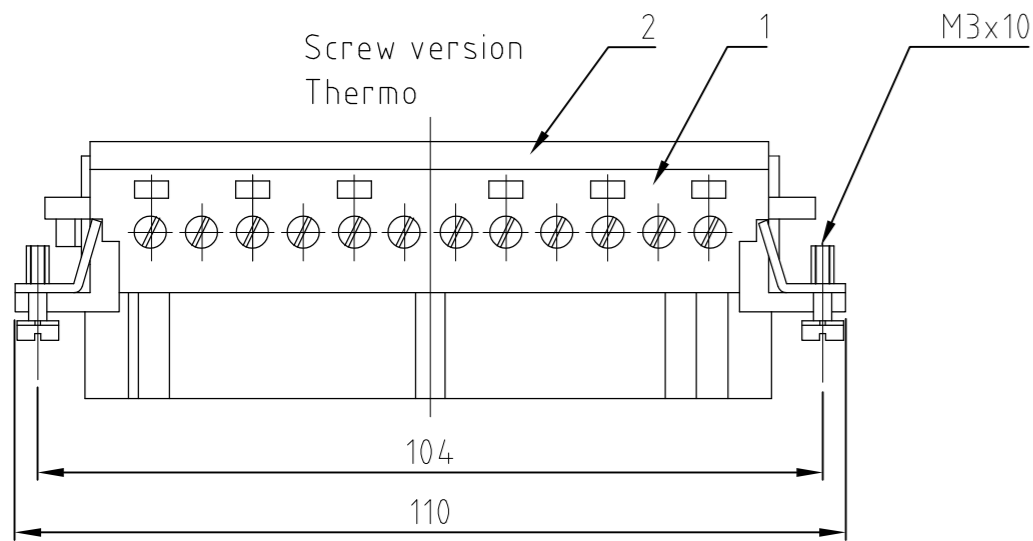
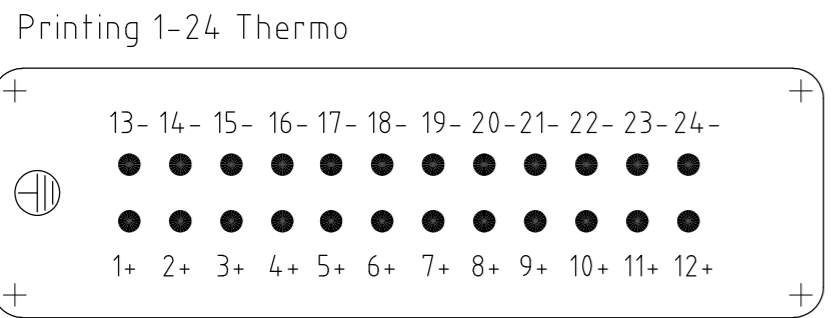


THIS DRAWING IS UNPUBLISHED. RELEASED FOR PUBLICATION
 © COPYRIGHT BY TYCO ELECTRONICS CORPORATION. ALL INTERNATIONAL RIGHTS RESERVED.

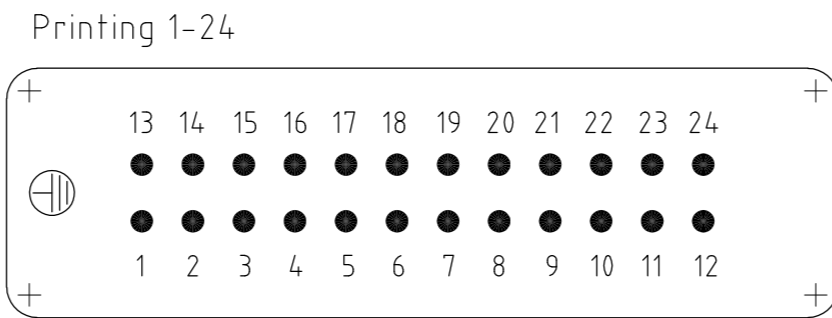
Loc	DIST	REVISIONS						
		P	LTR	DESCRIPTION	DATE	DWN	APVD	
AI	-	E1		text for packaging corrected	ECR-08-001868	23.01.08	SR	ST
		E2		REVISED PER ECO-11-002591		17FEB11	HMR	MM



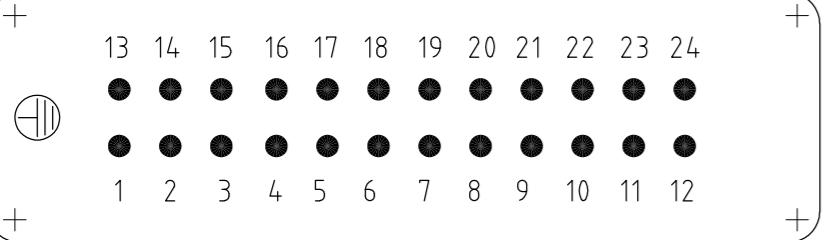
Contact arrangement view from termination side



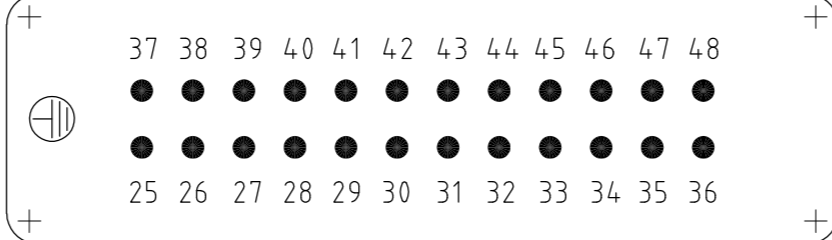
Contact arrangement view from termination side



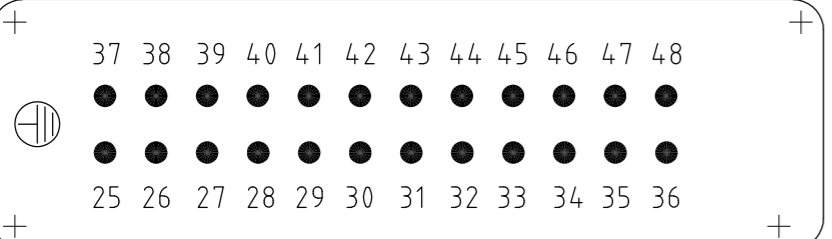
Printing 1-24 Screw



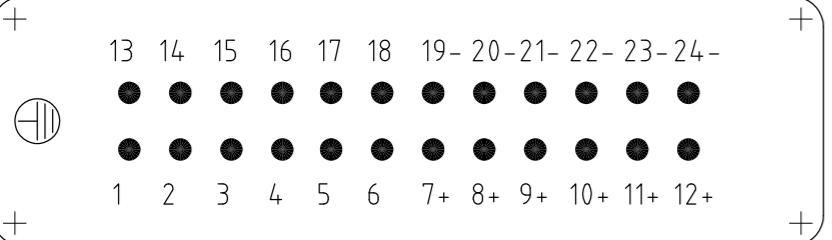
Printing 25-48



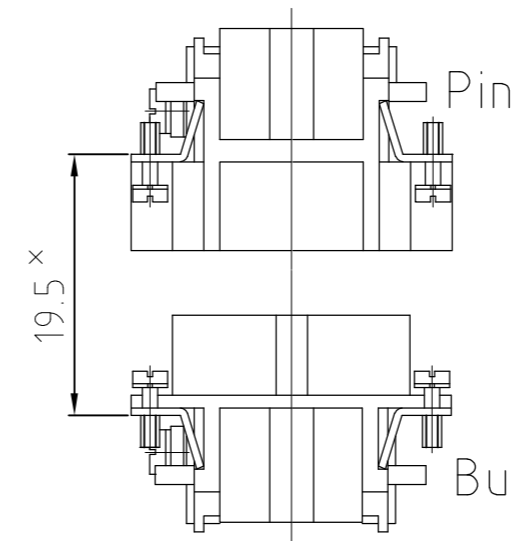
Printing 25-48 Screw



Printing 12+6+6 Screw/Thermo

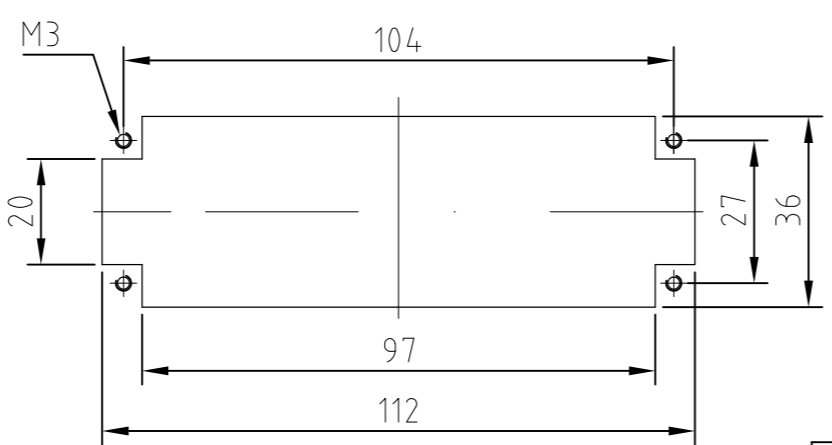


assembly directions



x distance for a safe contact max: max: 21 mm

Panel cut-out for contact insert when used without housing



- NOTES:
- SUITABLE CRIMP CONTACTS: SERIES HE/HA OUTER DIMENSIONS OF INSULATION: MAX. Ø3,2 MM
 - SUITABLE HOOD SIZE 8; 12: SERIES HB; HD; HIP; EMV SUITABLE INSERTION AND EXTRACTION TOOL: SCREWDRIVER 0,5x3 DIN 5264
 - Strip lenght: Screw conection 10mm Spring clamp conection 10mm Crimp conection 7.5mm
 - STANDARDS: DIN EN 61984; DIN EN 60664-1
 - PACKAGING: 5 SETS IN A CARTON, PRE-MOUNTED
 - SPECIAL PACKAGING: Krauss-Maffei PACKAGING UNIT: 220 PIECES

ITEM NO. POS.	DESCRIPTION / BENENNUNG	MATERIAL	COLOR / FARBE	ITEM NO. POS.	DESCRIPTION / BENENNUNG	MATERIAL	COLOR / FARBE	ITEM NO. POS.
1	Socket contact		light grey	5	earth wire contact with drillings Ø3,3 / without fixing screws			
1	Deckel Federklemmversion		light grey	4				
1	Crimp Crimp version		light grey	3				
1	Cover screw version		light grey	2				
1	Buchseinsatz		light grey	1				

HE.24.Bu.S. B1-24 KM	HE.24.Bu.C-3 B1-24	HE.24.Bu.SC-AUB1-24	HE.24.Bu.S-T B12+6+6	HE.24.Bu.S-AUB25-48	HE.24.Bu.S-AUB1-24	HE.24.Bu.SC.B.25-48	HE.24.Bu.SC.B1-24	HE.24.Bu.C.B.25-48	HE.24.Bu.C.B1-24	HE.24.Bu.S.B.25-48	HE.24.Bu.S-T	HE.24.Bu.S B1-24
----------------------	--------------------	---------------------	----------------------	---------------------	--------------------	---------------------	-------------------	--------------------	------------------	--------------------	--------------	------------------

THIS DRAWING IS A CONTROLLED DOCUMENT.		DWN	Schneider	08.02.2000
		CHK	Schweiger	08.02.2000
		APVD		
		PRODUCT SPEC		
		APPLICATION SPEC		
		WEIGHT		
CUSTOMER DRAWING		SCALE	1:1	SHEET 1 of 1

Tyco Electronics Corporation Harrisburg, Pa 17105-3608		Female insert HE.24.BU.S/C	
SIZE	A2	CAGE CODE	00779
DRAWING NO	C=1103641		RESTRICTED TO
SCALE	1:1	SHEET	1 of 1
REV	E2		