

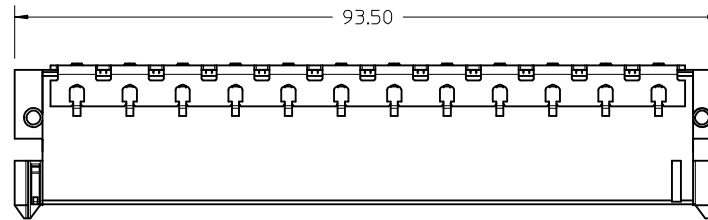
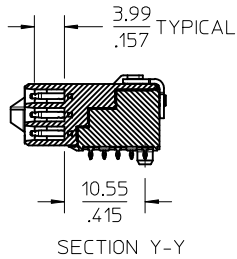
NOTES:

- 1) MATERIALS:  
HOUSING - LIQUID CRYSTAL POLYMER, UL94 V-0  
WAFER DIELECTRIC - LIQUID CRYSTAL POLYMER, UL94 V-0  
CONTACT - COPPER ALLOY  
CLIPS - STAINLESS STEEL
- 2) FINISHES: SEE SHEET 2
- 3) PRODUCT SPECIFICATION: THIS PART CONFORMS TO MOLEX SPECIFICATION PS-74148-0000.
- 4) PACKAGING SPECIFICATION: THIS PART TO BE PACKAGED PER SPECIFICATION PK-75020-030.
- 5) APPLICATION SPECIFICATION: THIS PART TO BE APPLIED PER SPECIFICATION AS-74148-0000. APPLICATION TOOL AND INSTRUCTIONS PER AS-74148-0000.
- 6) MATING INFORMATION  
THIS PART MATES WITH 74148-XXXX (108 CIRCUIT).  
WILL MATE WITH MAXIMUM OF 1.27mm MIS-ALIGNMENT  
WILL MATE WITH MAXIMUM 0.75° MIS-ALIGNMENT
- 7) ORIENTATION  
THIS PART CAN BE USED IN A STANDARD OR INVERTED ORIENTATION (I.E. ROTATED 180°)
- 8) SEE SHEET 3 FOR PCB LAYOUT INFORMATION
- 9) SEE SHEET 4 FOR CIRCUIT DESIGNATION
- 10) CIRCUITS IN THIS ZONE HAVE BEEN OMITTED TO SIMPLIFY THE MODEL. ACTUAL PRODUCT IS FULLY LOADED WITH TERMINALS
- 11) APPLICATION TOOLING KEEP OUT AREA. NO COMPONENTS ALLOWED IN THIS AREA.
- 12) CONFORMS TO MOLEX COSMETIC SPECIFICATION PS-45499-002 AND PS-45499-003.
- 13) MARKING: PART NUMBER, MX, DDD
- 14) RECOMMENDED DRILL SIZE 0.48±0.03 TO YIELD FINISHED PLATED THROUGH HOLE 0.39±0.05
- 15) HOLD DOWN SCREWS ARE RECOMMENDED FOR THIS CONNECTOR.  
REFERENCE MOLEX DOCUMENT AS-74148-0000 SECTION 4.5.

ADD NOTE 15 / MOD VIEWS EC NO: UCP2015-2894 DRWN:MPOFF 2013/08/29 CHKD:BBARKER 2015/01/19 APPR:SMILLER 2015/01/29	QUALITY SYMBOLS 	GENERAL TOLERANCES (UNLESS SPECIFIED)		DIMENSION STYLE MM/IN		SCALE 2:1	DESIGN UNITS METRIC	THIRD ANGLE PROJECTION		
				DRAWN BY MPOFF	DATE 2012/09/19		TITLE <b>HS DOCK+ FLOATING CONNECTOR</b>			
				CHECKED BY TIBARRA	DATE 2012/09/19					
				APPROVED BY SMILLER		DATE 2012/10/01				
		MATERIAL NO.		DOCUMENT NO. SD-74149-0001		SHEET NO. 1 OF 5				
		ANGULAR ±1/2°		DRAFT WHERE APPLICABLE MUST REMAIN WITHIN DIMENSIONS		THIS DRAWING CONTAINS INFORMATION THAT IS PROPRIETARY TO MOLEX INCORPORATED AND SHOULD NOT BE USED WITHOUT WRITTEN PERMISSION				

ITEM NUMBER	CIRCUIT SIZE	NO. OF COLUMNS 'N'	CENTERLINE DIMENSION 'A' mm(in)	O/A HEIGHT DIMENSION 'B' mm(in)	O/A LENGTH DIMENSION 'C' mm(in)	PEG TO PEG DIMENSION 'D' mm(in)	FIRST-LAST SIGNAL DIMENSION 'E' mm(in)	FIRST-LAST GROUND DIMENSION 'F' mm(in)	PLATING FINISH	HOUSING FINISH	GROUND OPTION
74149-1001	144	24	4.74 (.187)	9.98 (.393)	93.50 (3.681)	86.51 (3.406)	82.00 (3.228)	77.00 (3.031)	OPTION 1	NICKEL	2 TAIL
74149-1101	144	24	4.74 (.187)	9.98 (.393)	93.50 (3.681)	86.51 (3.406)	82.00 (3.228)	77.00 (3.031)	OPTION 1	NICKEL	3 TAIL
74149-3001	144	24	4.74 (.187)	9.98 (.393)	93.50 (3.681)	86.51 (3.406)	82.00 (3.228)	77.00 (3.031)	OPTION 2	GOLD	2 TAIL
74149-3101	144	24	4.74 (.187)	9.98 (.393)	93.50 (3.681)	86.51 (3.406)	82.00 (3.228)	77.00 (3.031)	OPTION 2	GOLD	3 TAIL
74149-4002	108	18	4.74 (.187)	9.98 (.393)	72.50 (2.854)	65.51 (2.579)	61.00 (2.402)	56.00 (2.205)	OPTION 1	NICKEL	2 TAIL
74149-4102	108	18	4.74 (.187)	9.98 (.393)	72.50 (2.854)	65.51 (2.579)	61.00 (2.402)	56.00 (2.205)	OPTION 1	NICKEL	3 TAIL
74149-5002	108	18	4.74 (.187)	9.98 (.393)	72.50 (2.854)	65.51 (2.579)	61.00 (2.402)	56.00 (2.205)	OPTION 2	GOLD	2 TAIL
74149-5102	108	18	4.74 (.187)	9.98 (.393)	72.50 (2.854)	65.51 (2.579)	61.00 (2.402)	56.00 (2.205)	OPTION 2	GOLD	3 TAIL

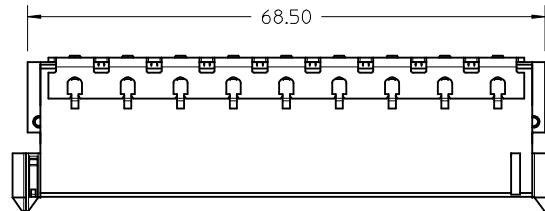
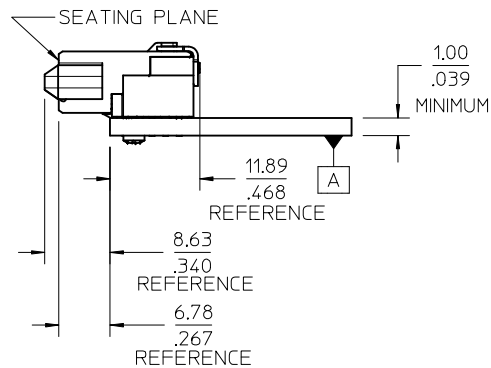
144 CKT



FINISHES:

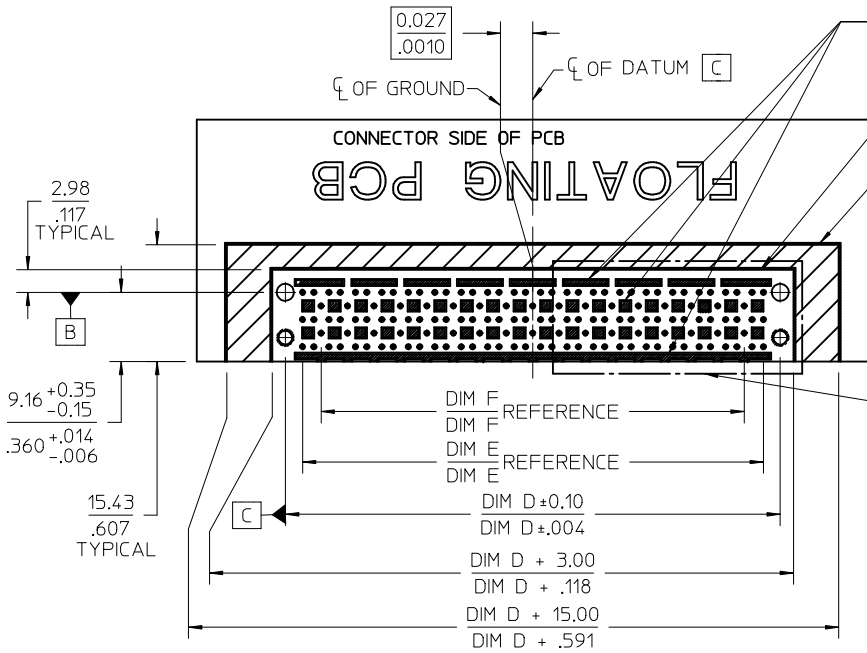
OPTION 1  
 CONTACT INTERFACE  
 0.76 MICROMETER MINIMUM SELECT GOLD  
 1.27 MICROMETER MINIMUM NICKEL OVERALL  
 COMPLIANT INTERFACE  
 0.76 MICROMETER MINIMUM SELECT TIN OVER  
 1.27 MICROMETER MINIMUM NICKEL OVERALL  
 HOUSING  
 3.81 MICROMETER MINIMUM HIGH PHOS NICKEL OVER  
 3.81 MICROMETER MINIMUM COPPER OVERALL

108 CKT



OPTION 2  
 CONTACT INTERFACE  
 0.76 MICROMETER MINIMUM SELECT GOLD  
 1.27 MICROMETER MINIMUM NICKEL OVERALL  
 COMPLIANT INTERFACE  
 0.76 MICROMETER MINIMUM SELECT TIN OVER  
 1.27 MICROMETER MINIMUM NICKEL OVERALL  
 HOUSING  
 0.10 MICROMETER MAXIMUM IMMERSION GOLD  
 3.81 MICROMETER MINIMUM HIGH PHOS NICKEL OVER  
 3.81 MICROMETER MINIMUM COPPER OVERALL

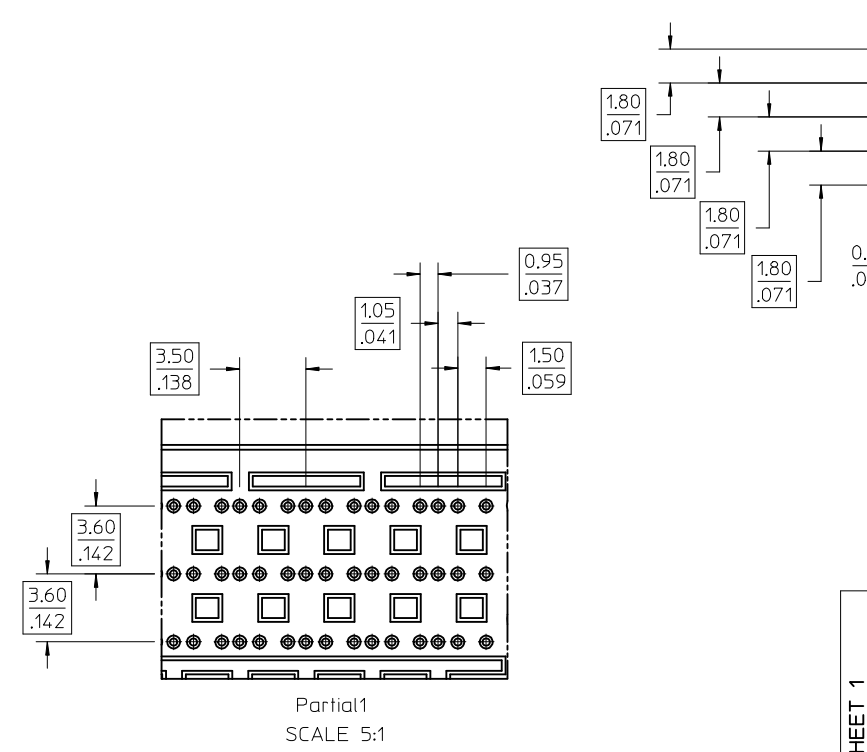
SEE SHEET 1 EC NO: UCP2015-2894 DRWN: MPOFF 2013/08/29 CHKD: BARKER 2015/01/19 APPR: MILLER 2015/01/29	QUALITY SYMBOLS ▽=0 ▽=0 ▽=0	GENERAL TOLERANCES (UNLESS SPECIFIED)		DIMENSION STYLE MM/IN		SCALE 2:1	DESIGN UNITS METRIC	THIRD ANGLE PROJECTION		
		4 PLACES ± --- ± ---	3 PLACES ± --- ± .005	2 PLACES ± 0.13 ± .01	1 PLACE ± 0.25 ± ---	0 PLACE ± ±	DRAWN BY MPOFF	DATE 2012/09/19	TITLE HS DOCK+ FLOATING CONNECTOR	
		ANGULAR ±1/2°					CHECKED BY TIBARRA	DATE 2012/09/19		
		DRAFT WHERE APPLICABLE MUST REMAIN WITHIN DIMENSIONS					APPROVED BY SMILLER	DATE 2012/10/01	DOCUMENT NO. SD-74149-0001	
D	REV	SIZE C		THIS DRAWING CONTAINS INFORMATION THAT IS PROPRIETARY TO MOLEX INCORPORATED AND SHOULD NOT BE USED WITHOUT WRITTEN PERMISSION		SHEET NO. 2 OF 5				



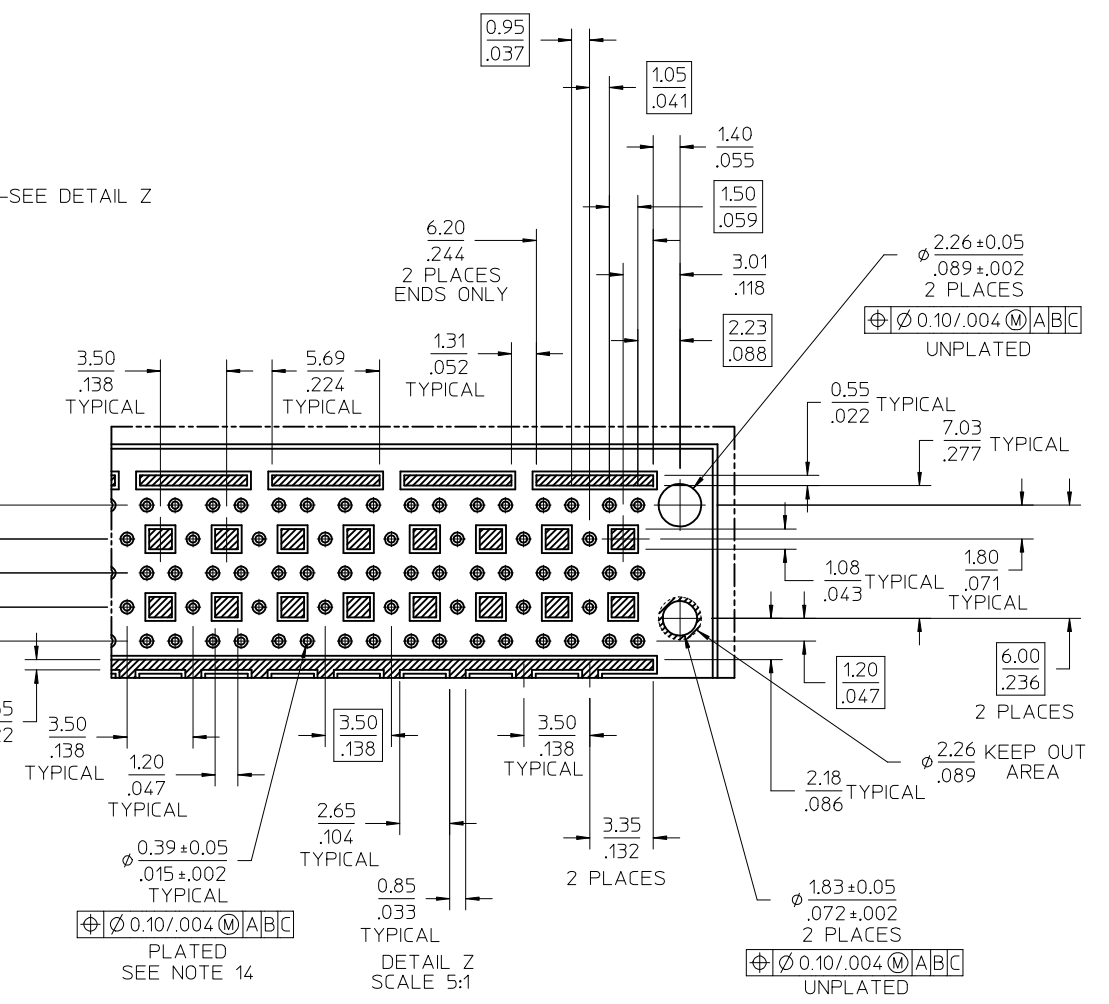
NO EXPOSED TRACES ON SURFACE OF PCB IN CONNECTOR STAND OFF LOCATIONS

CONNECTOR KEEP OUT AREA

APPLICATION TOOLING KEEP OUT AREA (NOTES 5 & 11)

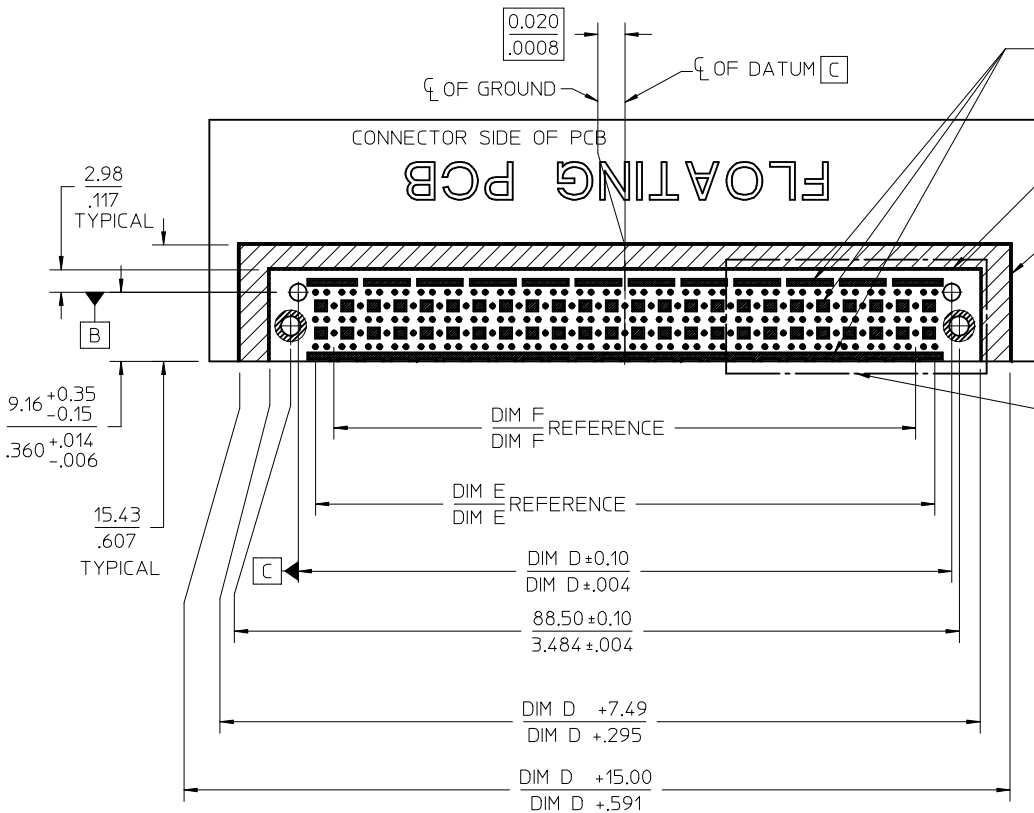


3 TAIL GROUND OPTION

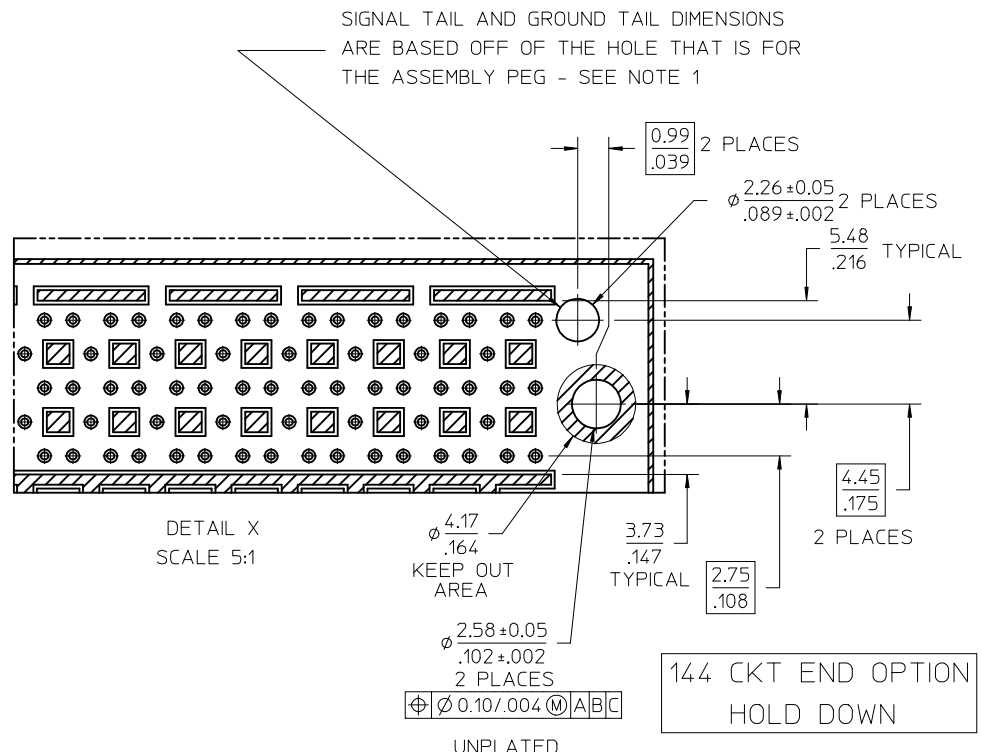


2 TAIL GROUND OPTION - 108 CKT END OPTION

SEE SHEET 1 EC NO: UCP2015-2894 DRWN: MPOFF 2013/08/29 CHKD: BARKER 2015/01/19 APPR: MILLER 2015/01/29	QUALITY SYMBOLS ∇=0 ∇=0 ∇=0	GENERAL TOLERANCES (UNLESS SPECIFIED)		DIMENSION STYLE		SCALE	DESIGN UNITS	THIRD ANGLE PROJECTION
				MM/IN		2:1	METRIC	
						DRAWN BY DATE		TITLE
				MPOFF 2012/09/19		HS DOCK+ FLOATING CONNECTOR		molex SD-74149-0001 SHEET NO. 3 OF 5
				CHECKED BY DATE				
				TIBARRA 2012/09/19				
				APPROVED BY DATE				
				SMILLER 2012/10/01				
				MATERIAL NO.		DOCUMENT NO.		
				SEE TABLE		SD-74149-0001		
				ANGULAR ±1/2°				
				DRAFT WHERE APPLICABLE MUST REMAIN WITHIN DIMENSIONS				
				THIS DRAWING CONTAINS INFORMATION THAT IS PROPRIETARY TO MOLEX INCORPORATED AND SHOULD NOT BE USED WITHOUT WRITTEN PERMISSION				



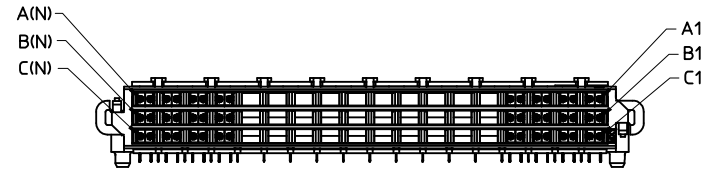
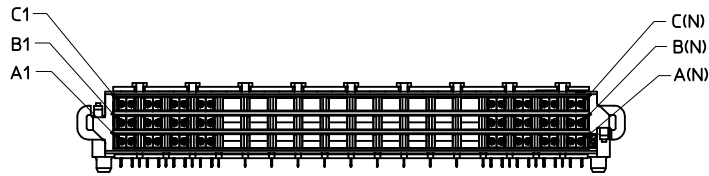
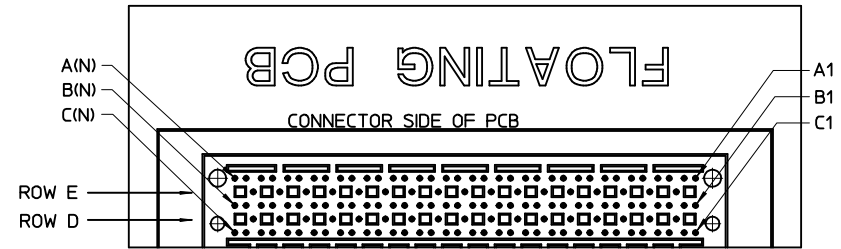
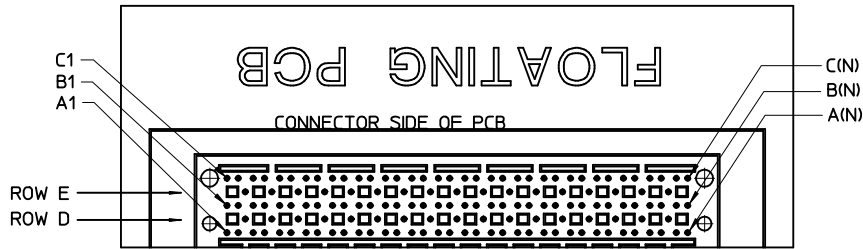
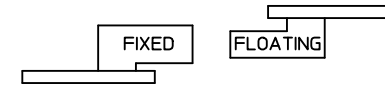
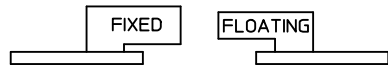
NOTES  
1. ALL SIGNAL TAIL AND 2 TAIL / 3 TAIL GROUND DIMENSIONS ARE COMMUNICATED ON PAGE 3



SEE SHEET 1 EC NO: UCP2015-2894 DRWN:MPOFF 2013/08/29 CHKD:BBARKER 2015/01/19 APPR:SMILLER 2015/01/29	QUALITY SYMBOLS ▽=0 ▽=0 ▽=0	GENERAL TOLERANCES (UNLESS SPECIFIED)		DIMENSION STYLE MM/IN		SCALE 2:1	DESIGN UNITS METRIC	THIRD ANGLE PROJECTION		
				DRAWN BY MPOFF	DATE 2012/09/19	TITLE HS DOCK+ FLOATING CONNECTOR				
				CHECKED BY TIBARRA	DATE 2012/09/19	APPROVED BY SMILLER		DATE 2012/10/01		
				ANGULAR ±1/2°		MATERIAL NO. SEE TABLE		DOCUMENT NO. SD-74149-0001	SHEET NO. 4 OF 5	
		DRAFT WHERE APPLICABLE MUST REMAIN WITHIN DIMENSIONS		THIS DRAWING CONTAINS INFORMATION THAT IS PROPRIETARY TO MOLEX INCORPORATED AND SHOULD NOT BE USED WITHOUT WRITTEN PERMISSION						

# STANDARD APPLICATION CIRCUIT DESIGNATIONS

# INVERTED APPLICATION CIRCUIT DESIGNATIONS



### CIRCUIT DESIGNATION

FIRST MATE: HOUSING - SIGNAL GROUND  
 SECOND MATE: A1, C1, A(N), C(N) (FOR POWER RETURN)  
 THIRD MATE: A2, B2, C2, A(N-1), B(N-1), C(N-1) & ALL OTHERS  
 (A2, C2, A(N-1) & C(N-1) FOR POWER)  
 (ALL OTHERS FOR SIGNAL)  
 LAST MATE: B1, B(N) (FOR CARD DETECT)

ALL COLUMNS FROM 3 THROUGH (N-2) ARE SUITABLE FOR DIFFERENTIAL PAIRS  
 EG: A3-A4, B3-B4, C3-C4, A(N-2)-A(N-3), B(N-2)-B(N-3)

SIGNAL GROUND: ROWS D & E

SEE SHEET 1 EC NO: UCP2015-2894 DRWN:MPOFF 2013/08/29 CHKD:BBARKER 2015/01/19 APPR:SMILLER 2015/01/29	QUALITY SYMBOLS ▽=0 ▽=0 ▽=0	GENERAL TOLERANCES (UNLESS SPECIFIED)		DIMENSION STYLE	SCALE	DESIGN UNITS	THIRD ANGLE PROJECTION		
				MM/IN	2:1	METRIC			
				DRAWN BY DATE	TITLE				
				CHECKED BY DATE	HS DOCK+ FLOATING CONNECTOR				
REV D	DESCRIPTION	ANGULAR ±1/2°		MATERIAL NO.	DOCUMENT NO.	SHEET NO.			
		DRAFT WHERE APPLICABLE MUST REMAIN WITHIN DIMENSIONS		SEE TABLE	SD-74149-0001	5 OF 5			
				THIS DRAWING CONTAINS INFORMATION THAT IS PROPRIETARY TO MOLEX INCORPORATED AND SHOULD NOT BE USED WITHOUT WRITTEN PERMISSION					
				molex					