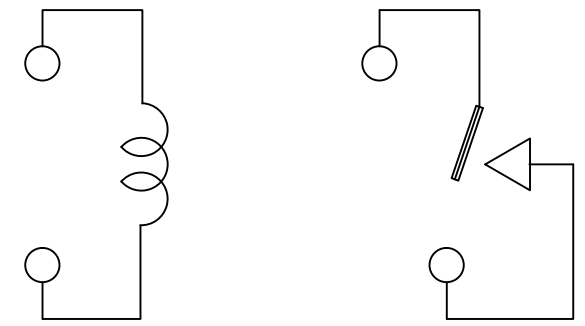
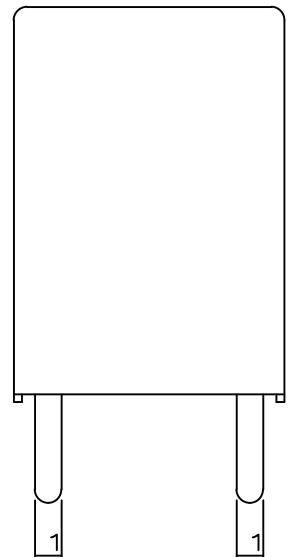
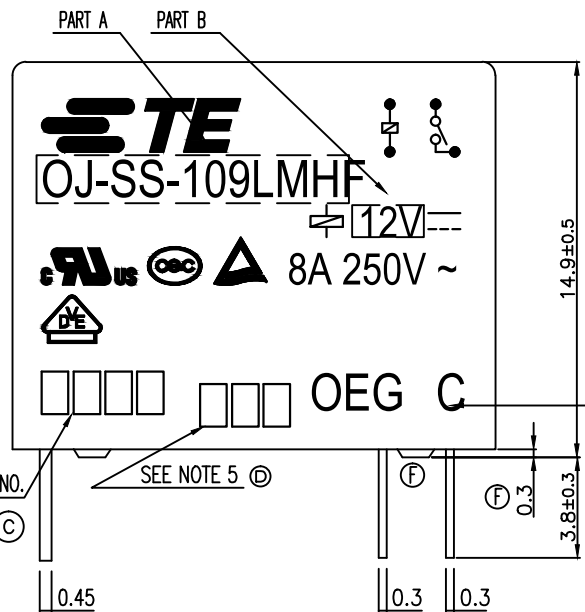
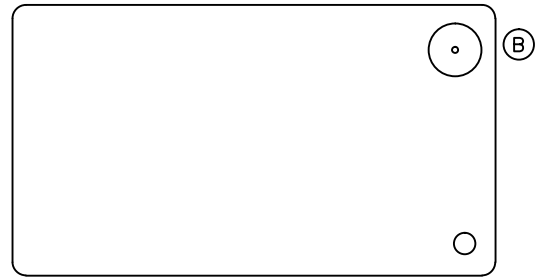


THIS DRAWING IS UNPUBLISHED. RELEASED FOR PUBLICATION
 © COPYRIGHT - By - TE CONNECTIVITY ALL RIGHTS RESERVED.

LOC	DIST	REVISIONS			
P	LTR	DESCRIPTION	DATE	DWN	APVD
HB	-	F	REMOVED THE RIB ON THE BASE TO CASE ECO-15-011310	04DEC2015	HYS CHL



CONNECTION FIGURE

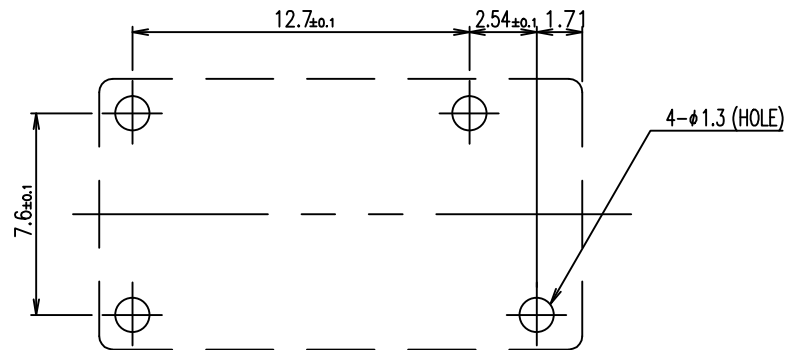
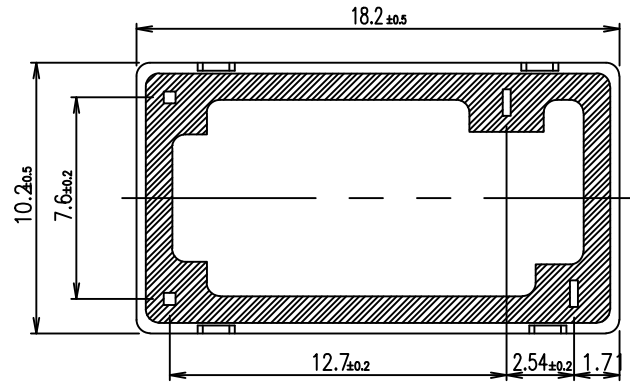


FIGURE FOR PRINTED CIRCUIT BOARD PROCESSING (BOTTOM VIEW)

Diagram dimension	Tolerance
0.99mm max.	±0.1mm
1 - 2.99mm	±0.2mm
3mm min.	±0.3mm



THIS DRAWING IS A CONTROLLED DOCUMENT.		DWN	H.SASAKI	-	TE TE Connectivity			
DIMENSIONS: mm		CHK	N.FUNAYAMA	-				
TOLERANCES UNLESS OTHERWISE SPECIFIED:		APVD	A.NAGAI	-	NAME			
0 PLC ± -		PRODUCT SPEC	-	-	OJ-LMH STANDARD CUSTOMER DRAWING			
1 PLC ± -		APPLICATION SPEC	-	-	SIZE	CAGE CODE	DRAWING NO	RESTRICTED TO
2 PLC ± -		WEIGHT	-	-	A3	00779	1721083	-
3 PLC ± -		CUSTOMER DRAWING		SCALE	5:1	SHEET	1 OF 2	REV
4 PLC ± -								F
ANGLES ± -								
MATERIAL								
FINISH								

THIS DRAWING IS UNPUBLISHED.

RELEASED FOR PUBLICATION

© COPYRIGHT - By - TE CONNECTIVITY

ALL RIGHTS RESERVED.

LOC
HB

DIST
-

REVISIONS

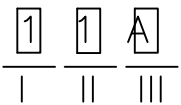
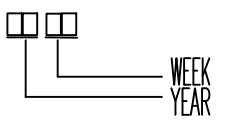
P	LTR	DESCRIPTION	DATE	DWN	APVD
-	-	SEE SHEET 1	-	-	-

① ③	OBSOLETE	1721083-6	OJ-SS-118LMHF, 000	18V	OJ-SS-118LMHF	g
③	ACTIVE	1721083-5	OJ-SS-109LMHF, 000	9V	OJ-SS-109LMHF	f
① ③	OBSOLETE	1721083-4	OJ-SS-106LMHF, 000	6V	OJ-SS-106LMHF	e
① ③	OBSOLETE	1721083-3	OJ-SS-105LMHF, 000	5V	OJ-SS-105LMHF	d
① ③	OBSOLETE	1721083-2	OJ-SS-103LMHF, 000	3V	OJ-SS-103LMHF	c
	ACTIVE	1721083-1	OJ-SS-112LMHF, 000	12V	OJ-SS-112LMHF	b
	ACTIVE	1461014-2	OJ-SS-124LMHF, 000	24V	OJ-SS-124LMHF	a
	PART STATUS	TE PART NO	DESCRIPTION	PART B	PART A	TYPE

RELAY TYPE

③ ⑤ NOTES:

1. LOT NO. SYSTEM AS FOLLOWING: ⑤ 5. ADD LOT NO. SYSTEM AS FOLLOWING;



I, DIGITS FOR DAY OF THE WEEK
 1...MONDAY IN THIS WEEK;
 2...TUESDAY IN THIS WEEK;

 7...SUNDAY IN THIS WEEK

II, DIGITS FOR SHIFT OF THE DAY
 1...DAY SHIFT IN THIS DAY;
 2...NIGHT SHIFT IN THIS DAY;

III, ONE CHARACTER DISTINGUISH THE LINE IDENTITY, SUCH AS: A,B,.....Z

⑤ 2. TERMINAL DIMENSION IS BEFORE SOLDER DIP;

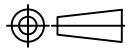
⑤ 3. FOR THE TIN-PLATING OF THE PINS:
+0.1mm FOR WIDTH, THICKNESS AND DIAMETER.
+0.5mm FOR LENGTH.

⑤ ⑤ 4. MARKING FROM INK TO LASER AND WELDED CONTACT

		EPOXY RESIN	SEAL (BASE & BOBBIN)	15
		MW79	MAGNETIC WIRE	14
94V-0		P.B.T	CASE	13
94V-0		P.B.T	BASE	12
94VHB		NYRON	BOBBIN	11
	SOLDER DIP	C.P WIRE	COIL TERMINAL	10
94V-0		P.P.S	CARD	9
		Ag ALLOY	MOVABLE CONTACT	8
		Ag ALLOY	NO.CONTACT	7
		STEEL	HINGE SPRING	6
	SOLDER DIP	Cu ALLOY	NO.TERMINAL	5
	SOLDER DIP	Cu ALLOY	MOVABLE SPRING	4
	NIP	STEEL	CORE	3
	NIP	STEEL	ARMATURE	2
	NIP	STEEL	YOKE	1
INCOMBUSTIBILITY	TREATMENT	MATERIAL	DESCRIPTION	ITEM

THIS DRAWING IS A CONTROLLED DOCUMENT.

DIMENSIONS: mm



TOLERANCES UNLESS OTHERWISE SPECIFIED:

0 PLC	± -
1 PLC	± -
2 PLC	± -
3 PLC	± -
4 PLC	± -
ANGLES	± -

MATERIAL

FINISH

DWN H.SASAKI -
 CHK N.FUNAYAMA -
 APVD A.NAGAI -
 PRODUCT SPEC -
 APPLICATION SPEC -
 WEIGHT -
 CUSTOMER DRAWING



TE Connectivity

OJ-LMH STANDARD CUSTOMER DRAWING

SIZE	CAGE CODE	DRAWING NO	RESTRICTED TO
A3	00779	1721083	-
SCALE	5:1	SHEET	2 OF 2
REV	F		