

Board Level Cooling – Diamond Basket 5010



BOARD LEVEL COOLING - Diamond Basket 5010

Diamond Basket 5010 is a series of diamond shaped basket board level heat sinks designed to cool TO-66 devices. Representative image only.

ORDERING INFORMATION

Part Number	Device Type
501706B00000G	TO-66
501806B00000G	TO-66
501906B00000G	TO-66
502006B00000G	TO-66



HEAT SINK DETAILS

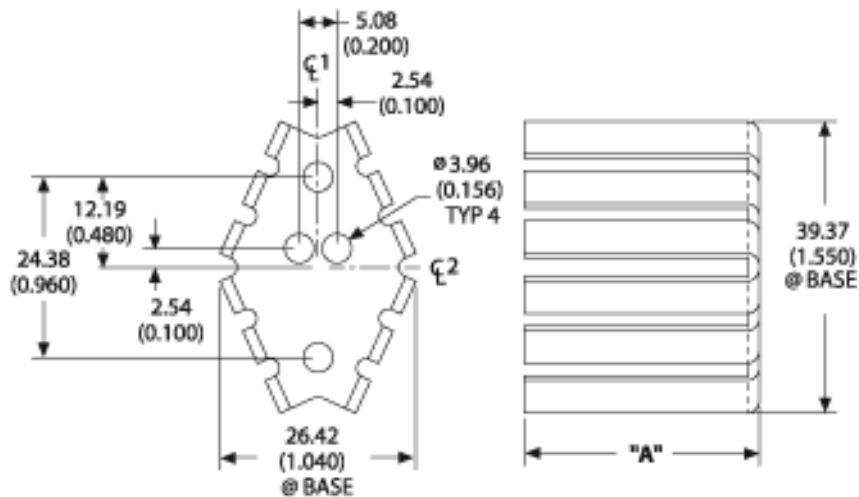
Property	Details
Material	Aluminum
Finish	Black Anodize
Device Attachment Options	Requires Mounting Kit
Thermal Interface Material	-

Property	Details
Heat Sink Width (mm)	26.40
Heat Sink Length (mm)	39.37
Heat Sink Height (mm)	See "A" Dim below
Heat Sink Mounting Direction	Horizontal

MECHANICAL & PERFORMANCE

Drawing dimensions are shown in mm, (in)

Part Number	"A" Dim
501706B00000G	12.7
501806B00000G	19.5
501906B00000G	25.4
502006B00000G	31.75



Board Level Cooling – Diamond Basket 5010

