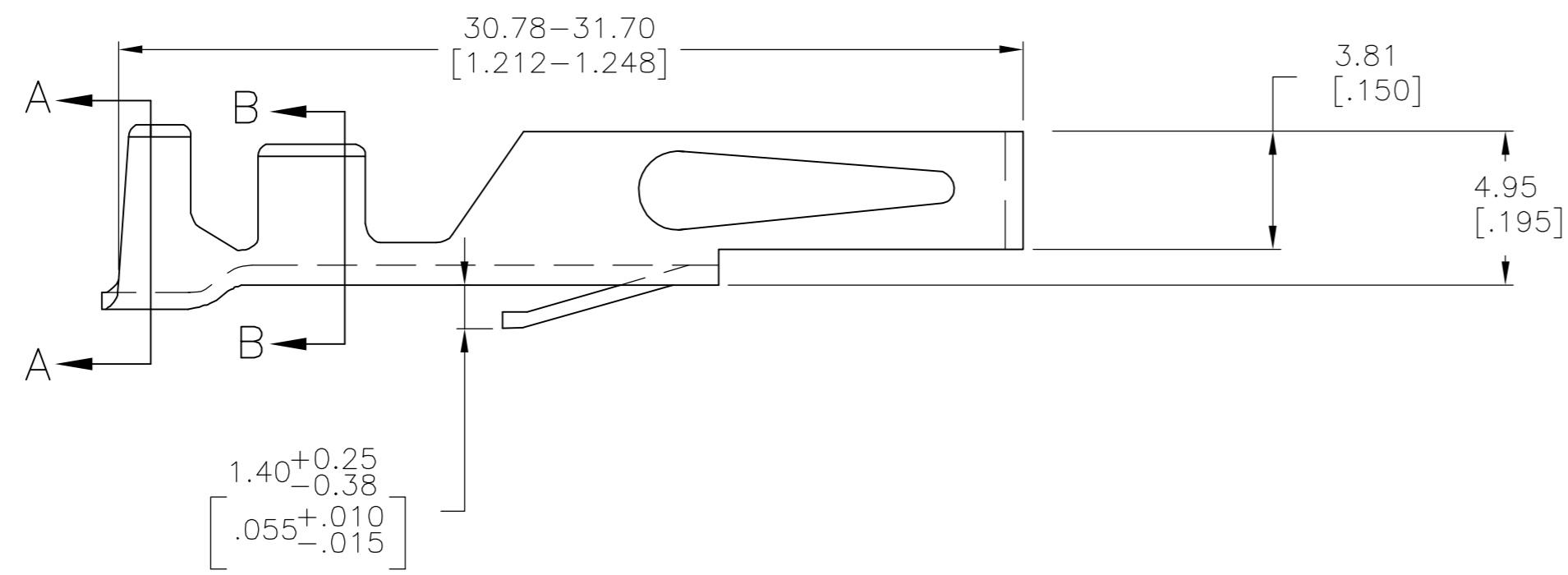
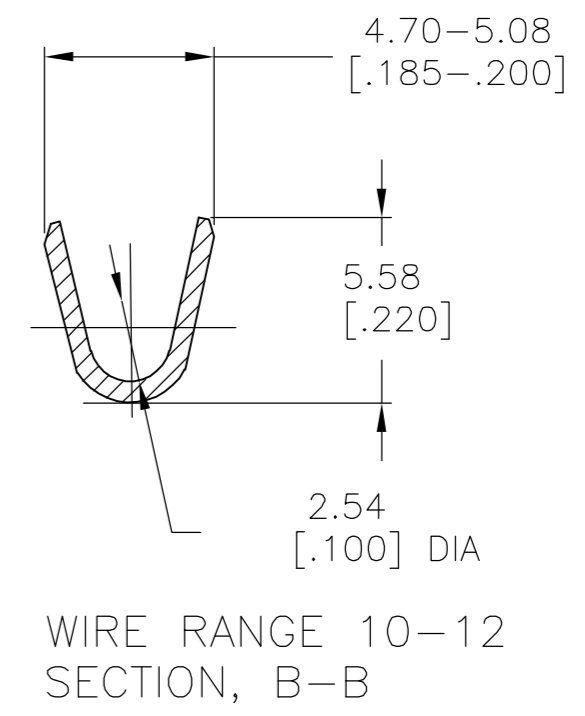
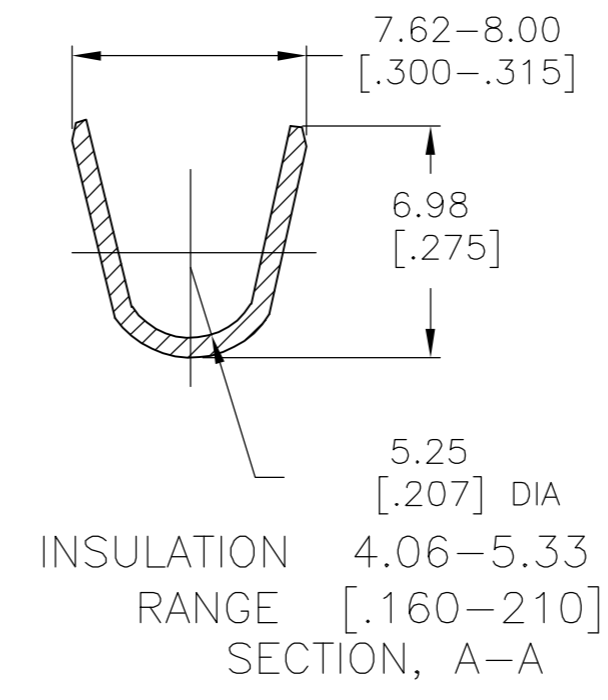
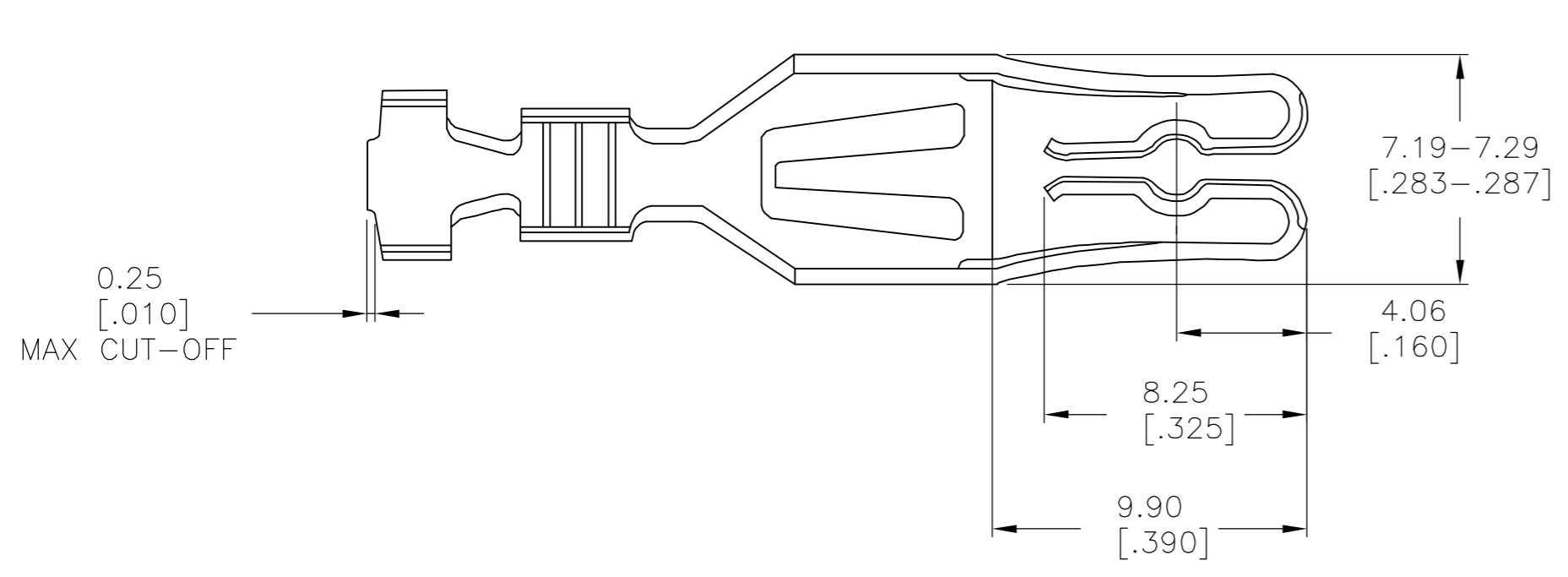


THIS DRAWING IS UNPUBLISHED. RELEASED FOR PUBLICATION
 © COPYRIGHT BY TYCO ELECTRONICS CORPORATION. ALL RIGHTS RESERVED.

LOC		DIST		REVISIONS			
P	LTR	DESCRIPTION		DATE	DWN	APVD	
E		EC OG3C 0067 05		25NOV05	BSV	MM	



- 1 0.0038[.000150] BRIGHT TIN OVER 0.00076[.000030] NICKEL
- 2 0.0038[.000150] MATTE TIN OVER 0.00076[.000030] NICKEL

2	5-530520-1
1	530520-1
FINISH	PART NO

THIS DRAWING IS A CONTROLLED DOCUMENT.		DWN	15 MAY 75	Tyco Electronics Corporation Harrisburg, Pa 17105-3608			
DIMENSIONS: mm [INCHES]		CHK	15 MAY 75				
TOLERANCES UNLESS OTHERWISE SPECIFIED:		APVD	16 MAY 75				
0 PLC ± -		PRODUCT SPEC		NAME LOOSE PIECE CONTACT HIGH CURRENT 10-12 AWG			
1 PLC ± -		APPLICATION SPEC					
2 PLC ± -		WEIGHT					
3 PLC ± .005		SIZE			CAGE CODE	DRAWING NO	RESTRICTED TO
4 PLC ± -		FINISH			A2	00779	C=530520
ANGLES ± -	CUSTOMER DRAWING		SCALE	SHEET	OF	REV	
1 HARD	SCALE 5:1		1	1	1	E	

530520