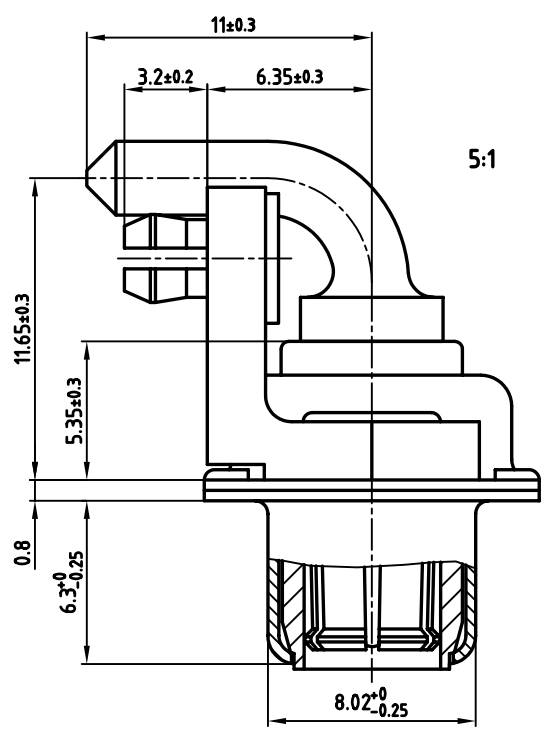
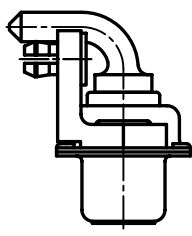
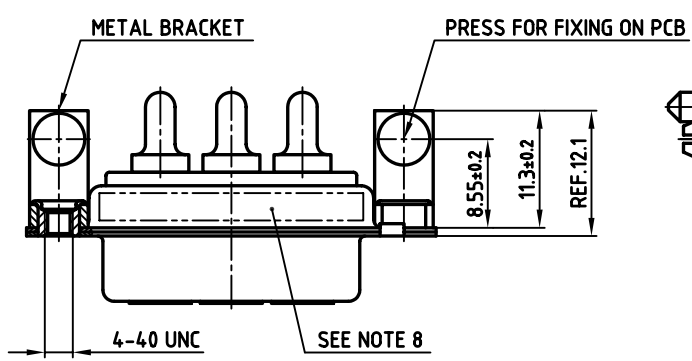
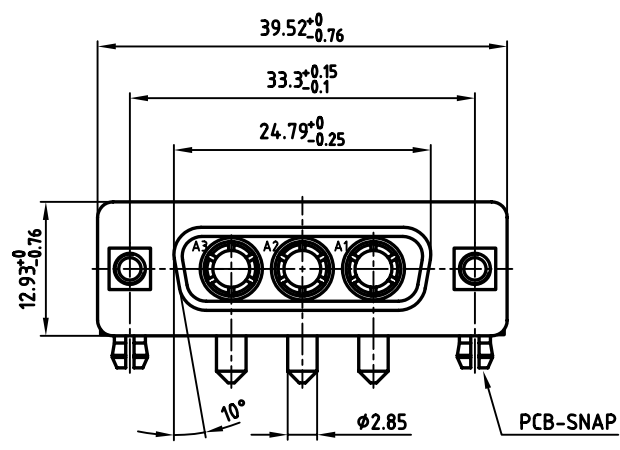


P.C.B. HOLE DRILLINGS

used for: D-SUB COMBINATION



5:1



NOTES:

- METALSHELLS: STEEL; min. 320µ" TIN
- INSULATORS: PBT GF UL 94 V-0, GREEN
- HIGH POWER CONTACTS 20A : COPPER ALLOY
PLATING: 30µ" HARD GOLD over min. 50µ" NICKEL
- METAL BRACKET: DIE-CASTING; min. 320µ" TIN over 80µ" NICKEL
- THREADED INSERT: COPPER ALLOY; min. 200µ" TIN over 80µ" NICKEL
- PCB-SNAP: COPPER ALLOY; min. 200µ" TIN over 80µ" NICKEL
PCB-HOLE: 3.1±0.1; PCB THICKNESS 1.6mm
- MAXIMUM TORQUE VALUE FOR THREAD: 6" LBS
- CONNECTOR IS PART MARKED: 3003W3SXX56N40X CONEC ABC

Directive 2002/95/EC
RoHS
Compliant

APPROVAL * FREIGABE * DEBLOCAGE * AUTORIZACION * APPROVAL

CUSTOMER APPROVAL DATE:

NAME: TITLE:

COMPANY NAME:

APPROVAL * FREIGABE * DEBLOCAGE * AUTORIZACION * APPROVAL

THIS DRAWING MAY NOT BE COPIED OR REPRODUCED IN ANY WAY, AND MAY NOT BE PASSED ON TO A THIRD PARTY, WITHOUT WRITTEN PERMISSION. OWNERSHIP AND COPYRIGHT OF CONEC GmbH DO NOT ALTER CAD DRAWING BY HAND

rev.	description	date	name
a	Origin		

2006	date	name
drawn	08.02.	Lehmenkühler
appd.	08.02.	Mickenbecker
norm		
d-old		

tolerance dim. in mm

scale: 2:1 (5:1)

material: SEE NOTES

title: D-SUB COMBINATION FEMALE 90° 3W3S with threaded insert, metal bracket and clip

dwg no: AutoCAD 2004 DIN-A 3 sh: 1/1

13K1A1708

part no: 3003W3SXX56N40X

