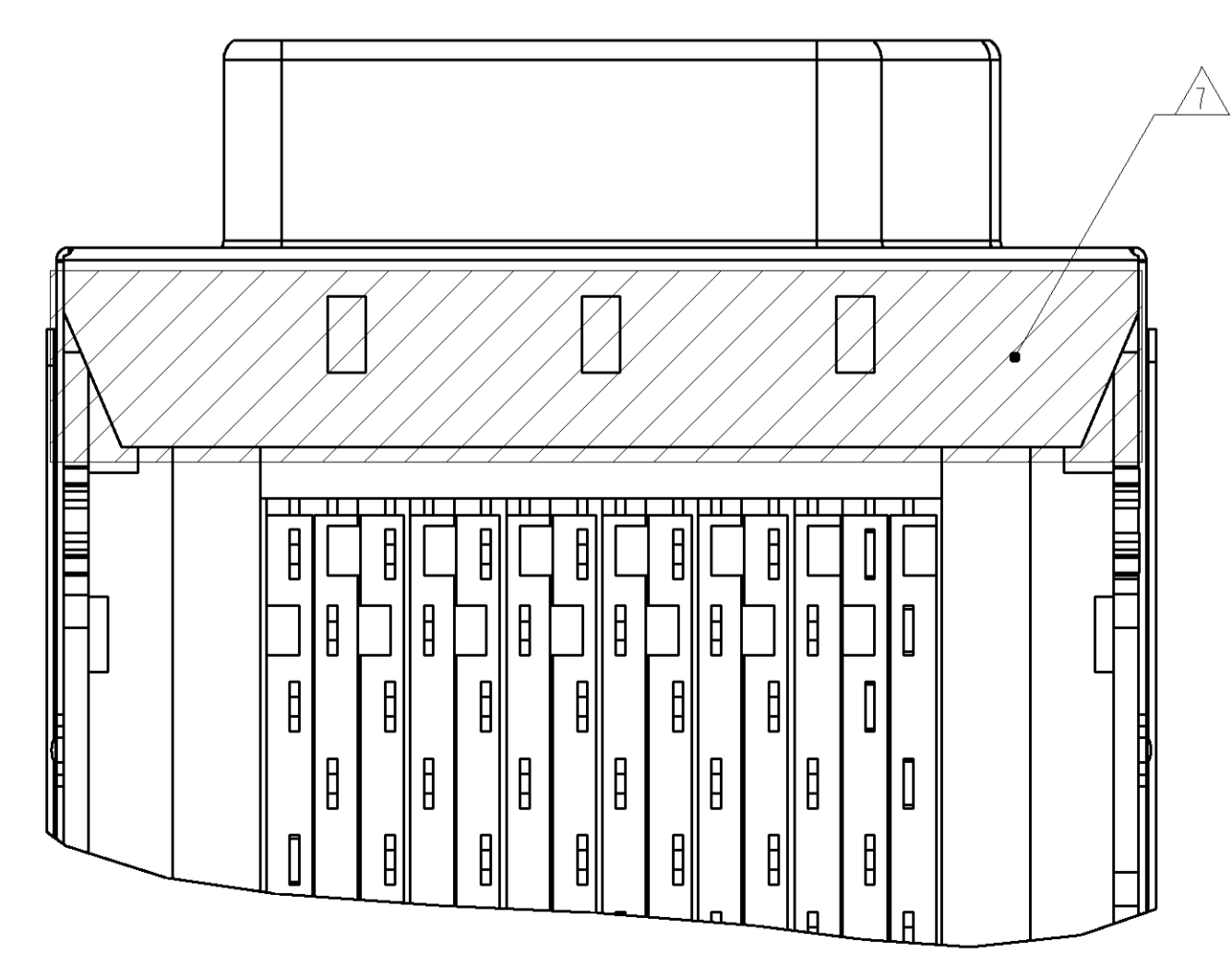
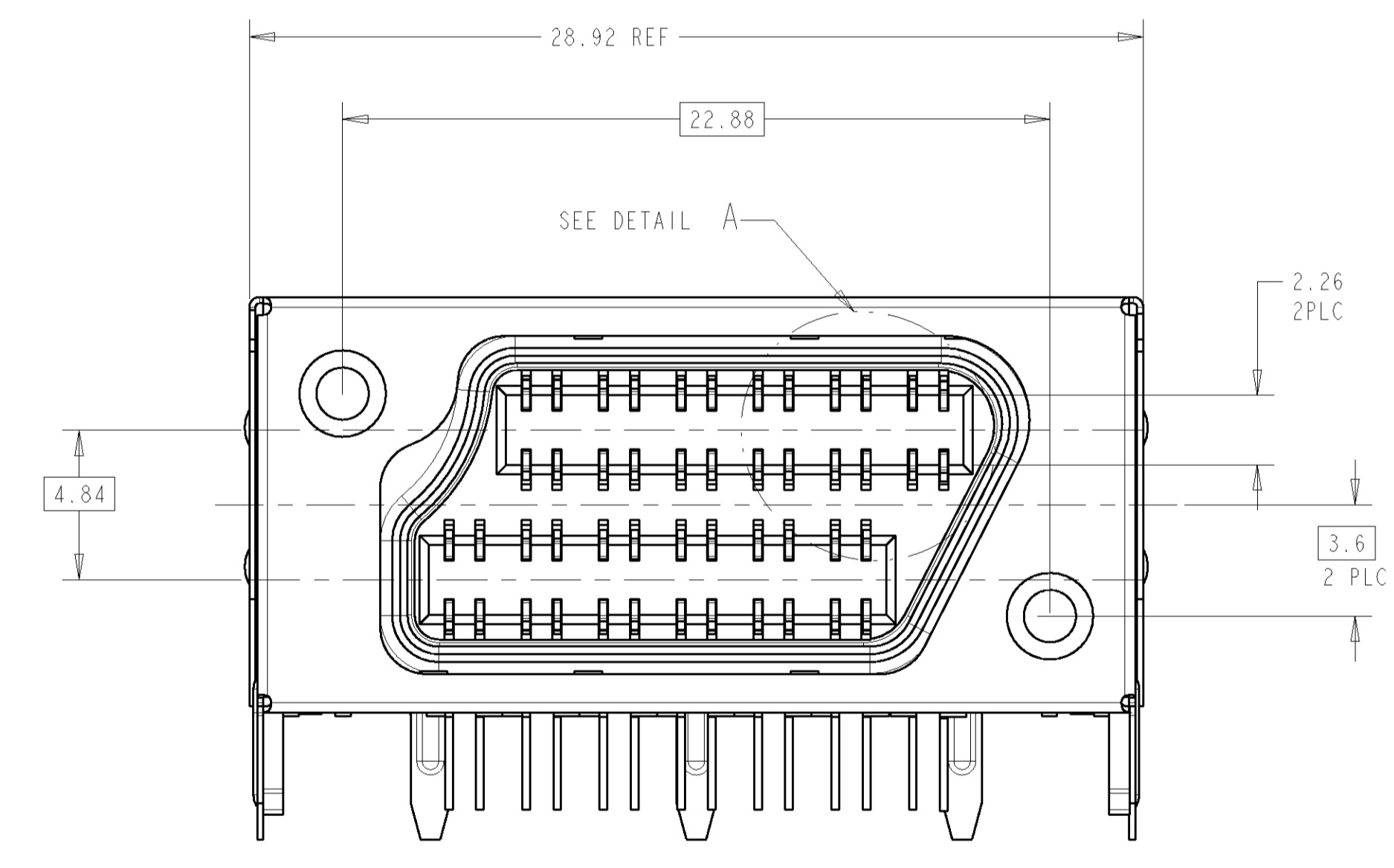
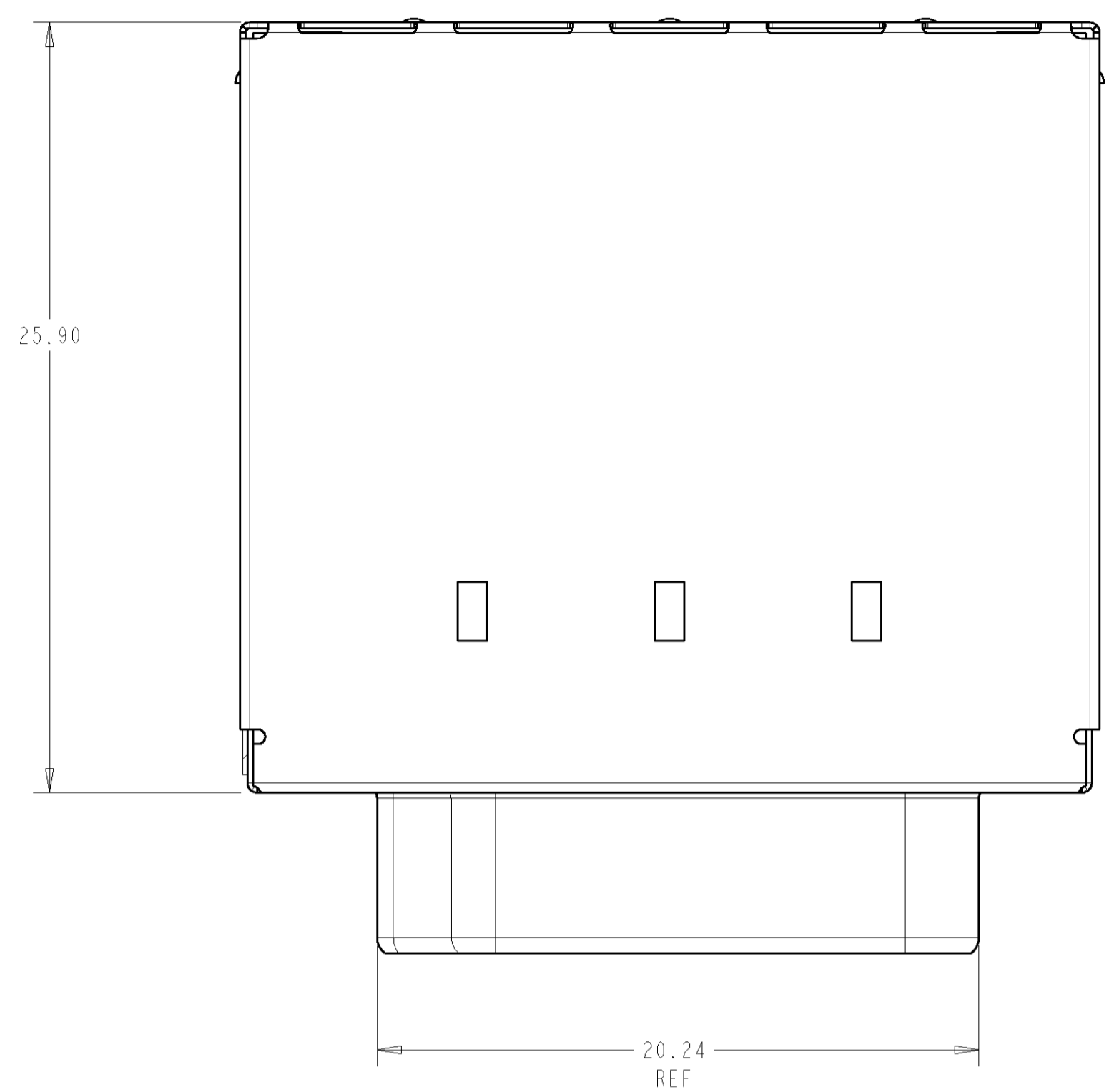


| LOC | | DIST | | REVISIONS | | | |
|-----|-----|---------------|-----------|-----------|------|--|--|
| P | LTR | DESCRIPTION | DATE | DRN | APVD | | |
| A | | ECO-06-002586 | 03FEB2006 | LAM | MY | | |
| B | | ECO-06-005597 | 13MAR2006 | LAM | PR | | |
| C | | ECO-06-009340 | 21APR2006 | LAM | PR | | |
| D | | ECO-07-007895 | 27APR2007 | LAM | PR | | |



1. MATERIAL:
 HOUSING - BLACK THERMOPLASTIC, PBT FLAMMABILITY RATING UL 94V-0
 SHIELD - 0.2 MM THICK BRASS - PLATED WITH 1.98µm MIN THK. TIN. OVER 1.27µm MIN THK NICKEL
 FRONT DRAWN SHELL - CARBON STEEL - PLATED WITH 5.08µm MIN NICKEL
 BOARD LOCKS - BRASS PLATED WITH 1.27µm MIN TIN OVER 1.27µm MIN NICKEL
 CONTACTS - 0.254 MM THK. PHOSPHOR BRONZE - ENTIRE TERMINAL PLATED WITH 2.54µm MIN NICKEL. MATING AREA PLATED WITH GOLD FLASH OVER 0.76µm MIN Pd-Ni. SOLDER TAILS WITH PLATED 1.98µm MIN TIN
 INSERTS, THREADED - MILD STEEL
 SCREW LOCKS - STAINLESS STEEL

3 THE SCREW LOCKS ARE FOR USE WITH JACKSCREWS TO PROVIDE CABLE RETENTION.

4 RECOMMENDED TORQUE FOR SCREW LOCK IS 4 IN-LB. FOR PANEL MOUNTED VERSION, 1761715-1 AND 1761715-2.

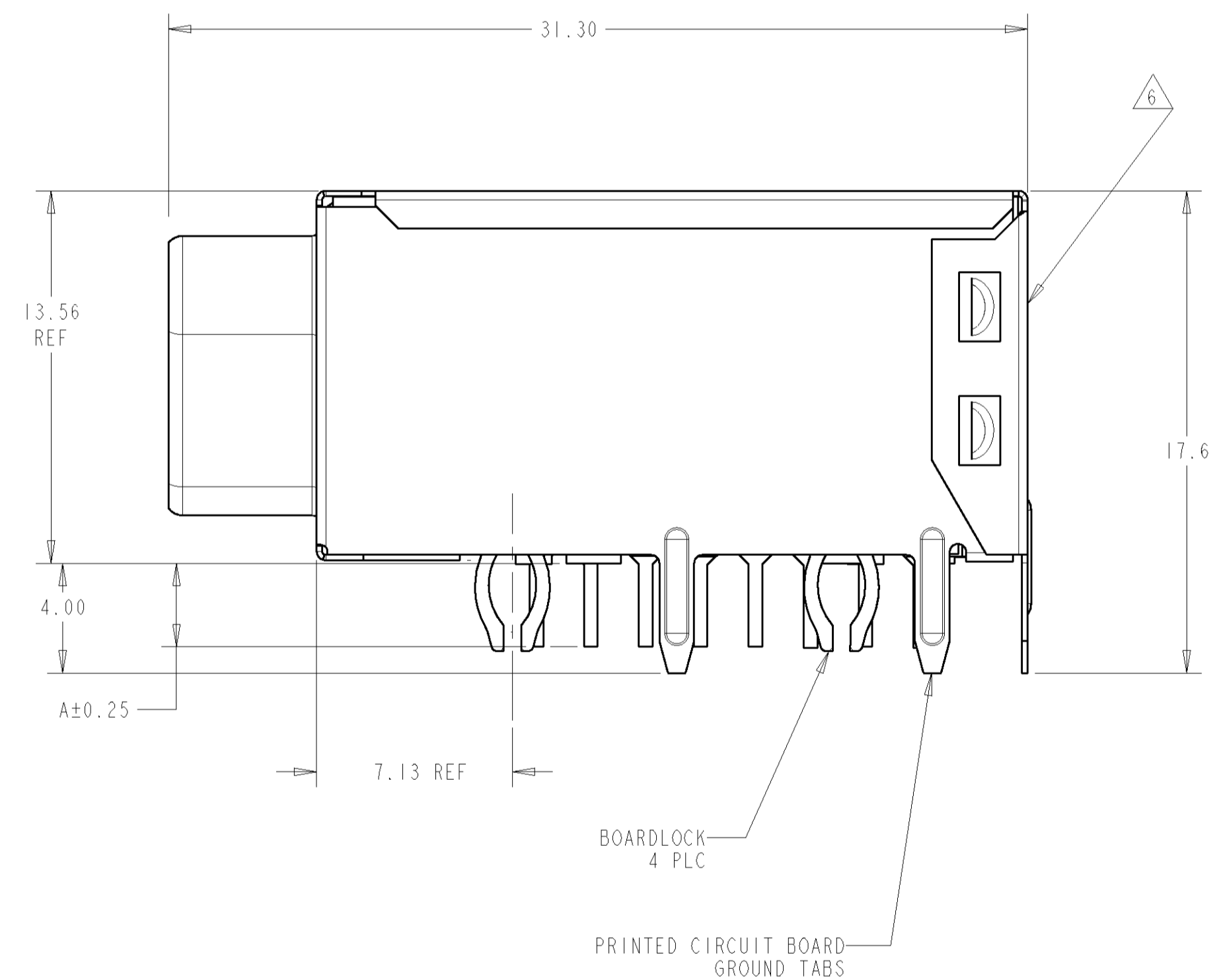
5 SCREW LOCK DESIGNATION:
 SCREW LOCKS MUST BE ORDERED SEPARATELY FROM TABLE BELOW. SCREW LOCKS PACKAGED IN QUANTITIES OF 960 PIECES.

| PANEL THICKNESS | SCREW LOCK P/N |
|-----------------|----------------|
| > 1mm - < 2mm | 1339381-2 |
| 0mm - ≤ 1mm | 1339381-1 |

6 DATE CODE AND PART NUMBER LABEL IN APPROXIMATE AREA SHOWN.

7 0.05 THK. INSULATING TAPE WITH 0.05 MIN THK. ADHESIVE BACKING IN AREA SHOWN.

8 DATUM AND BASIC DIMENSIONS ESTABLISHED BY CUSTOMER

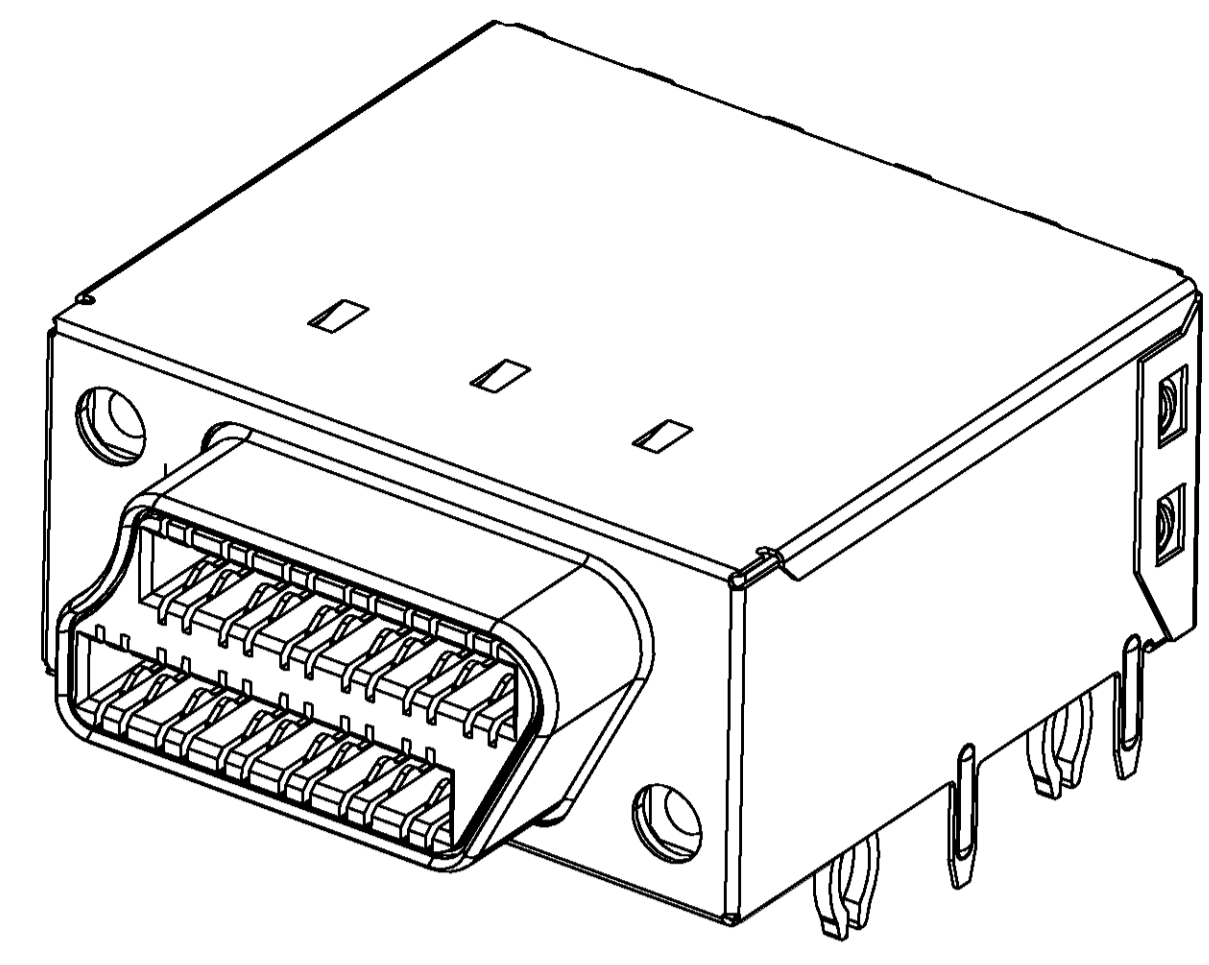


1761715-1 SHOWN

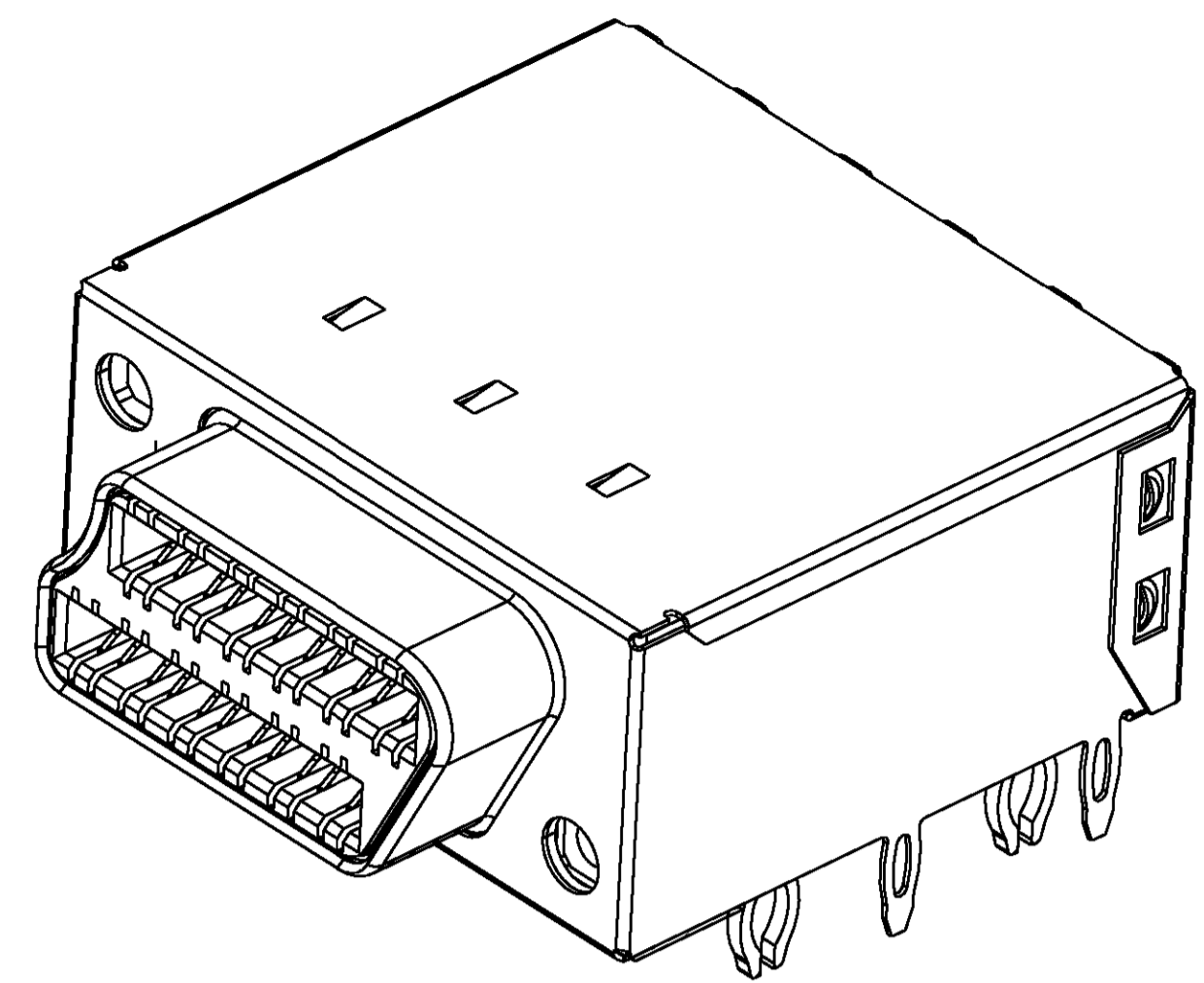
| | | |
|-------------|---------|-------------|
| PRESS-FIT | 3.04 | 1761715-2 |
| SOLDERTAIL | 4.54 | 1761715-1 |
| TERMINATION | DIM "A" | PART NUMBER |

| | | | | | | | |
|---|--|---|--|--|--|---|--|
| DIMENSIONS: mm: 0 PLC ±, 1 PLC ±0.1, 2 PLC ±0.10, 3 PLC ±, 4 PLC ±, ANGLES ± | | TOLERANCES UNLESS OTHERWISE SPECIFIED: FINISH: - | | DRN: R. GRZYBOWSKI 03FEB2006 ENR: M. YEOMANS 03FEB2006 APVD: S. FLICKINGER 03FEB2006 | | Tyco Electronics Harrisburg, PA 17105-3608 | |
| MATERIAL: SEE NOTE 1 | | PRODUCT SPEC: 108-2064 APPLICATION SPEC: - | | NAME: ASSEMBLY, RECEPTACLE, 48 POSITION, MR J21 | | RESTRICTED TO: - | |
| CUSTOMER DRAWING | | WEIGHT: - SCALE: 6:1 | | SIZE: CAGE CODE: 00779 DRAWING NO: 1761715 | | SHEET 1 OF 4 REV D | |

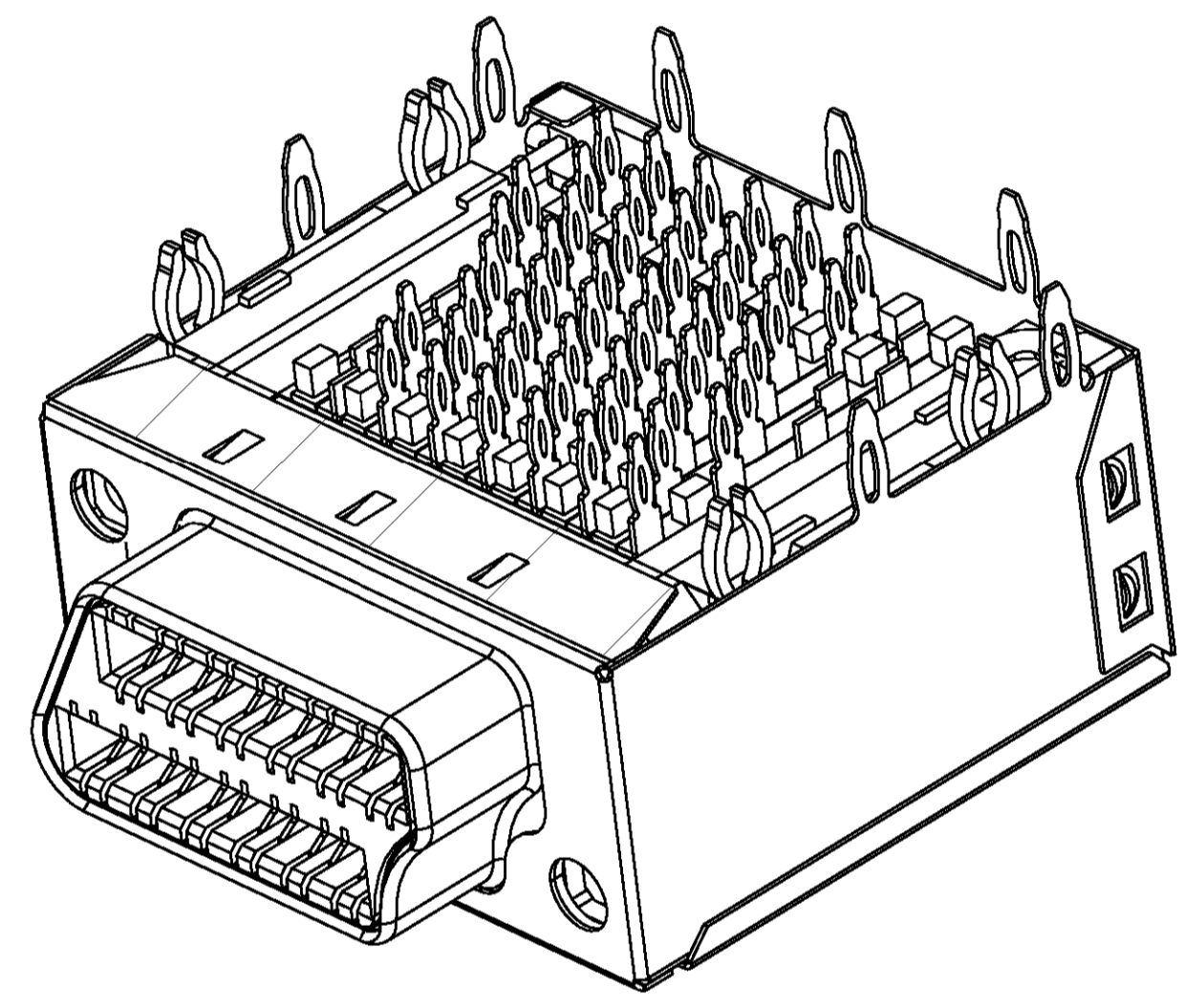
| LOC | DIST | REVISIONS | | | | | |
|-----|------|-----------|-----|-------------|------|-----|------|
| AA | 00 | P | LTN | DESCRIPTION | DATE | DRN | APVD |
| - | - | - | - | SEE SHEET 1 | - | - | - |



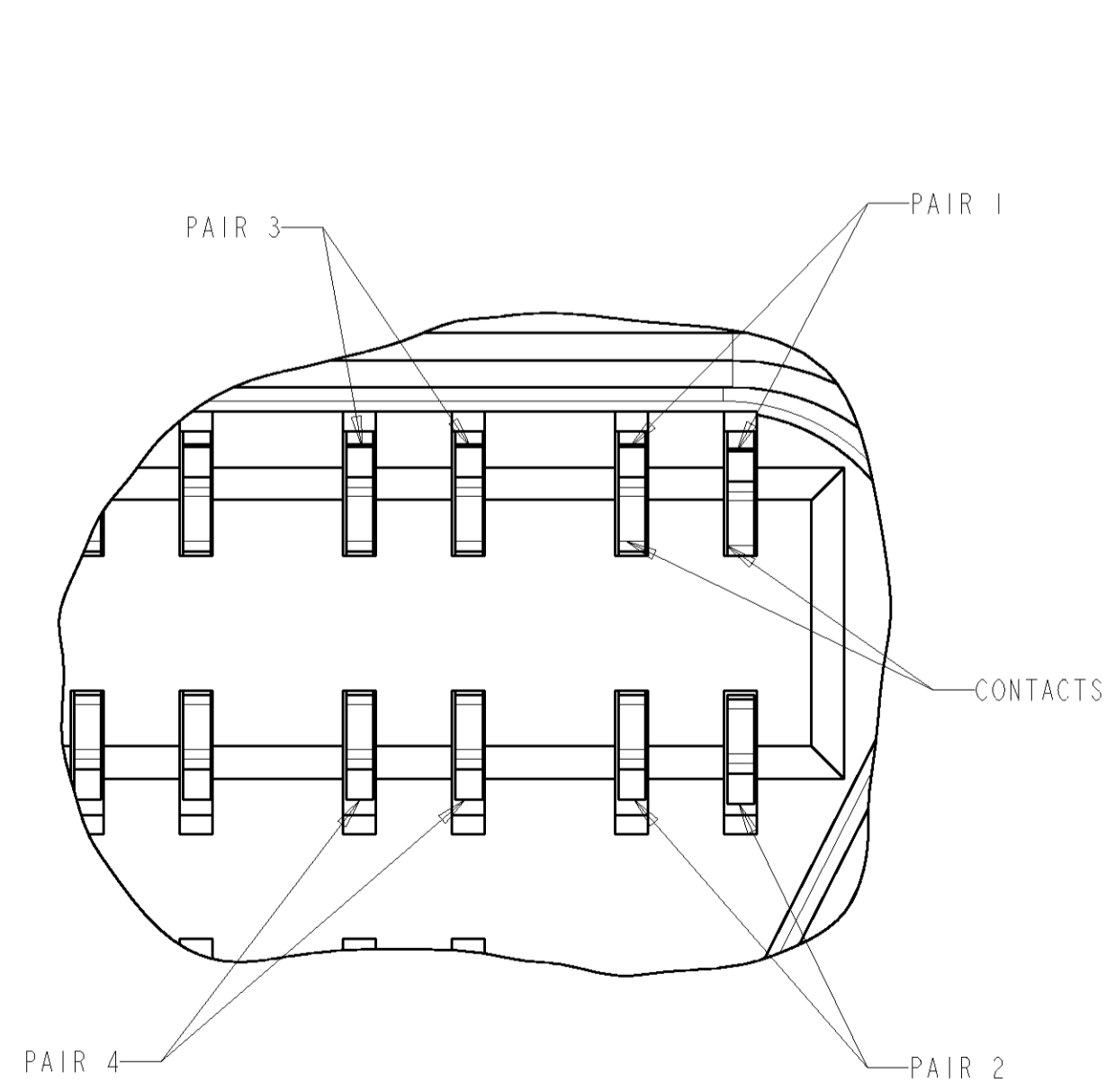
1761715-1
SCALE 4:1



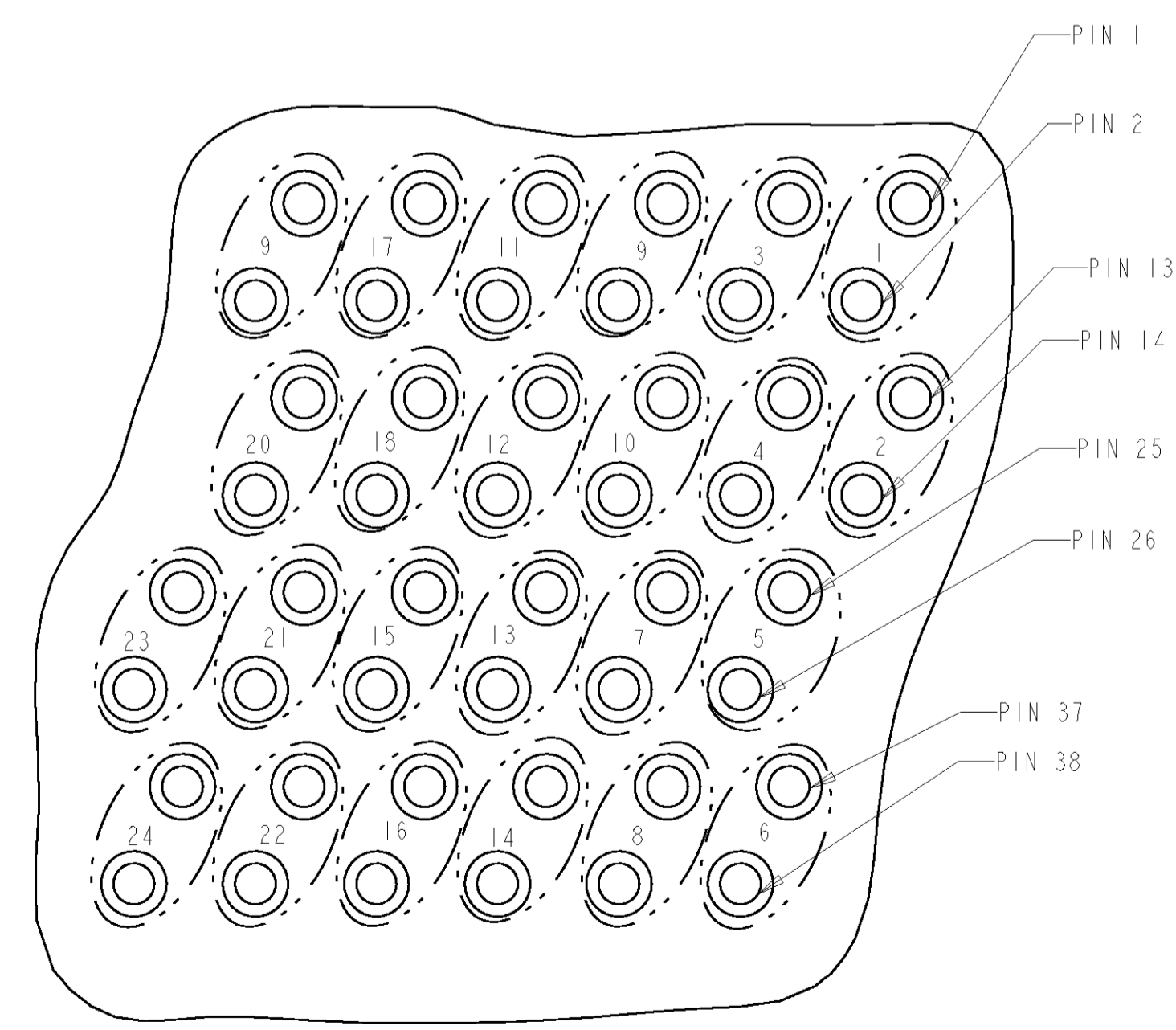
1761715-2
PRESS-FIT VERSION
SCALE 4:1



PRESS-FIT
BOTTOM VIEW
SCALE 4:1



DETAIL A
SCALE 16:1



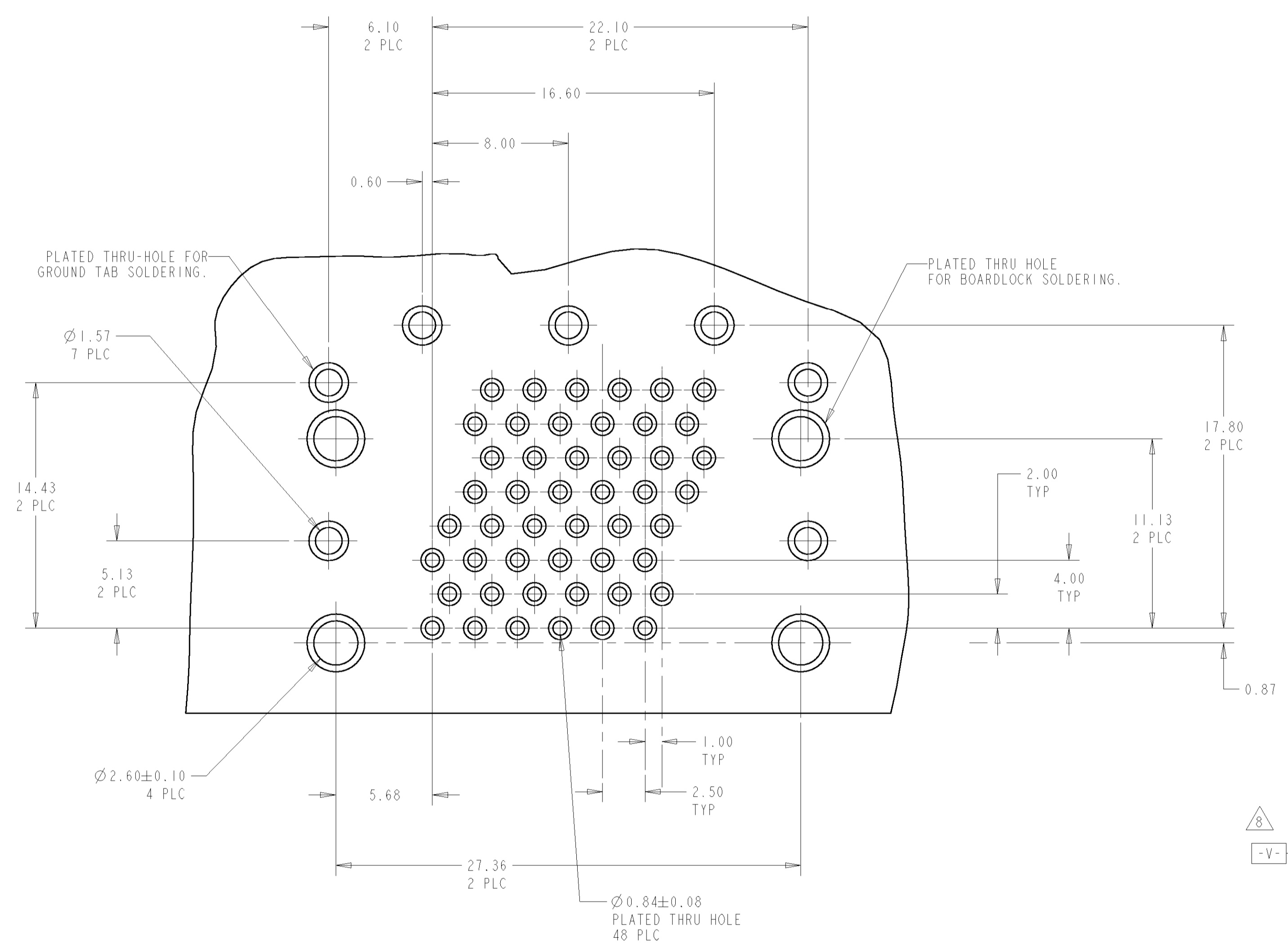
PROPOSED PAIR GROUPING

MODULAR PLUG AND RJ-21 PIN-OUT FOR USE IN 10/100/1000 BASE-T APPLICATIONS

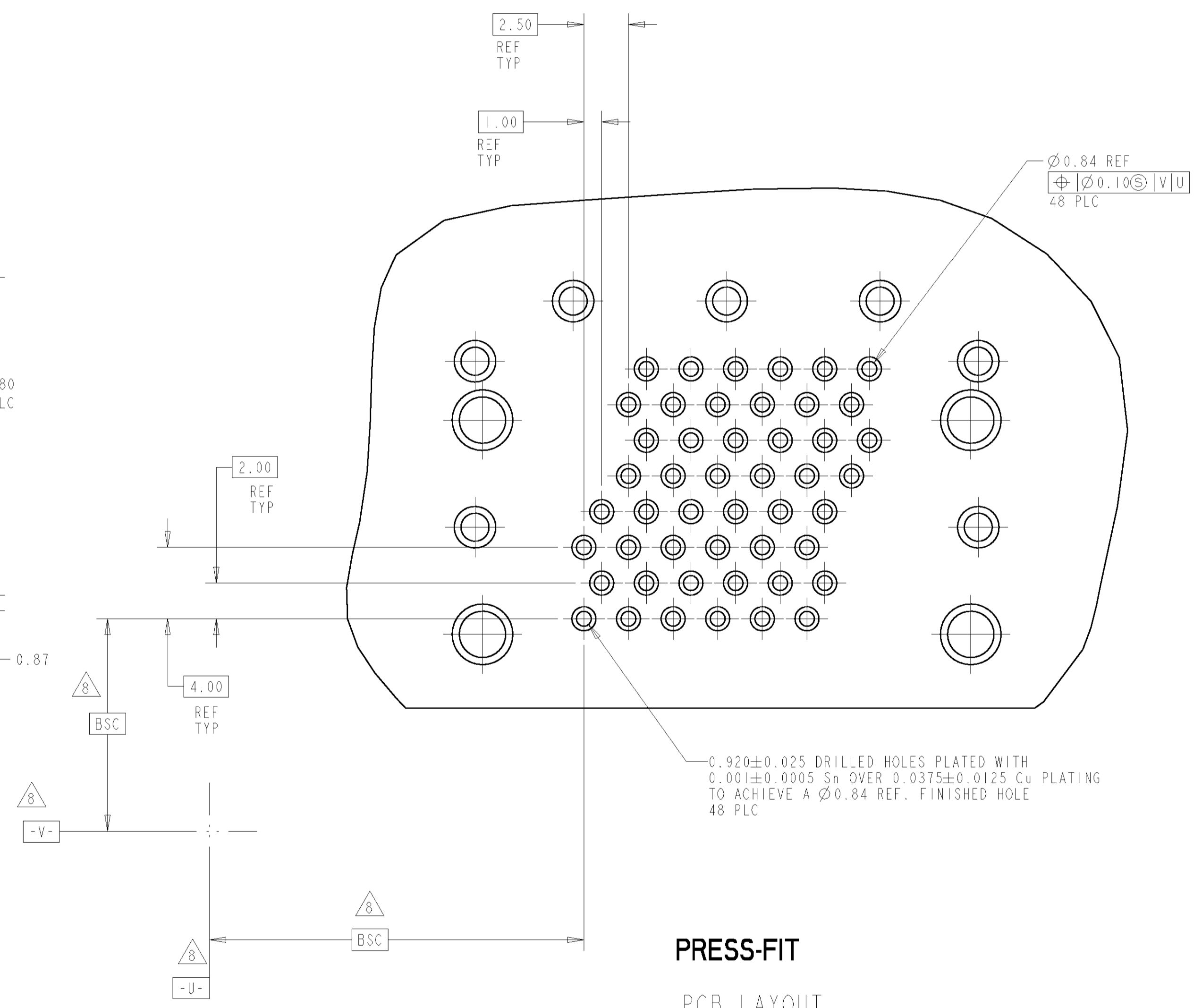
| GIG ETHERNET PORT | PLUG POSN. | COLOR | 10/100 ETHERNET PORT | PLUG POSN. | COLOR | RJ-21 PIN | MRJ 21 PIN | MRJ 21 PAIR NUM | |
|-------------------|------------|---------|----------------------|------------|----------|-----------|------------|-----------------|----|
| 1 | 5 | WHT/BLU | 1 | 1 | WHT/BLU | 26 | 1 | 1 | |
| | 4 | BLU/WHT | | 2 | BLU/WHT | 1 | 2 | | |
| | 3 | WHT/ORG | | 3 | WHT/ORN | 27 | 13 | 2 | |
| | 6 | ORG/WHT | | 6 | ORN/WHT | 2 | 14 | | |
| | 1 | WHT/GRN | | 2 | 1 | WHT/GRN | 28 | 3 | 3 |
| | 2 | GRN/WHT | | | 2 | GRN/WHT | 3 | 4 | |
| | 7 | WHT/BRN | | | 3 | WHT/BRN | 29 | 15 | 4 |
| | 8 | BRN/WHT | | | 6 | BRN/WHT | 4 | 16 | |
| 2 | 5 | WHT/GRY | 3 | 1 | WHT/GRY | 30 | 25 | 5 | |
| | 4 | GRY/WHT | | 2 | GRY/WHT | 5 | 26 | | |
| | 3 | RED/BLU | | 3 | RED/BLU | 31 | 37 | 6 | |
| | 6 | BLU/RED | | 6 | BLU/RED | 6 | 38 | | |
| | 1 | RED/ORG | | 4 | 1 | RED/ORN | 32 | 27 | 7 |
| | 2 | ORG/RED | | | 2 | ORN/RED | 7 | 28 | |
| | 7 | RED/GRN | | | 3 | RED/GRN | 33 | 39 | 8 |
| | 8 | GRN/RED | | | 6 | GRN/RED | 8 | 40 | |
| 3 | 5 | RED/BRN | 5 | 1 | RED/BRN | 34 | 5 | 9 | |
| | 4 | BRN/RED | | 2 | BRN/RED | 9 | 6 | | |
| | 3 | RED/GRY | | 3 | RED/GRAY | 35 | 17 | 10 | |
| | 6 | GRY/RED | | 6 | GRY/RED | 10 | 18 | | |
| | 1 | BLK/BLU | | 6 | 1 | BLK/BLU | 36 | 7 | 11 |
| | 2 | BLU/BLK | | | 2 | BLU/BLK | 11 | 8 | |
| | 7 | BLK/ORG | | | 3 | BLK/ORN | 37 | 19 | 12 |
| | 8 | ORG/BLK | | | 6 | ORN/BLK | 12 | 20 | |
| 4 | 5 | BLK/GRN | 7 | 1 | BLK/GRN | 38 | 29 | 13 | |
| | 4 | GRN/BLK | | 2 | GRN/BLK | 13 | 30 | | |
| | 3 | BLK/BRN | | 3 | BLK/BRN | 39 | 41 | 14 | |
| | 6 | BRN/BLK | | 6 | BRN/BLK | 14 | 42 | | |
| | 1 | BLK/GRY | | 8 | 1 | BLK/GRY | 40 | 31 | 15 |
| | 2 | GRY/BLK | | | 2 | GRY/BLK | 15 | 32 | |
| | 7 | YEL/BLU | | | 3 | YEL/BLU | 41 | 43 | 16 |
| | 8 | BLU/YEL | | | 6 | BLU/YEL | 16 | 44 | |
| 5 | 5 | YEL/ORG | 9 | 1 | YEL/ORN | 42 | 9 | 17 | |
| | 4 | ORG/YEL | | 2 | ORN/YEL | 17 | 10 | | |
| | 3 | YEL/GRN | | 3 | YEL/GRN | 43 | 21 | 18 | |
| | 6 | GRN/YEL | | 6 | GRN/YEL | 18 | 22 | | |
| | 1 | YEL/BRN | | 10 | 1 | YEL/BR | 44 | 11 | 19 |
| | 2 | BRN/YEL | | | 2 | BR/YEL | 19 | 12 | |
| | 7 | YEL/GRY | | | 3 | YEL/GRY | 45 | 23 | 20 |
| | 8 | GRY/YEL | | | 6 | GRY/YEL | 20 | 24 | |
| 6 | 5 | VIO/BLU | 11 | 1 | VIO/BLU | 46 | 33 | 21 | |
| | 4 | BLU/VIO | | 2 | BLU/VIO | 21 | 34 | | |
| | 3 | VIO/ORG | | 3 | VIO/ORN | 47 | 45 | 22 | |
| | 6 | ORG/VIO | | 6 | ORN/VIO | 22 | 46 | | |
| | 1 | VIO/GRN | | 12 | 1 | VIO/GRN | 48 | 35 | 23 |
| | 2 | GRN/VIO | | | 2 | GRN/VIO | 23 | 36 | |
| | 7 | VIO/BRN | | | 3 | VIO/BRN | 49 | 47 | 24 |
| | 8 | BRN/VIO | | | 6 | BRN/VIO | 24 | 48 | |

| | | | | | |
|---|---------|--|---------|--|---|
| DIMENSIONS: | | TOLERANCES UNLESS OTHERWISE SPECIFIED: | | DRN: R. GRZYBOWSKI CHK: M. YEOMANS APVD: S. FLICKINGER DATE: 03FEB2006 NAME: S. FLICKINGER | |
| mm | 0 PLC ± | 1 PLC ±0.1 | 3 PLC ± | 4 PLC ± | PRODUCT SPEC: 108-2064 APPLICATION SPEC: WEIGHT: - MATERIAL: SEE NOTE 1 FINISH: - |
| Tyco Electronics Harrisburg, PA 17105-3608 | | | | ASSEMBLY, RECEPTACLE, 48 POSITION, MR J21 SIZE: A CAGE CODE: 00779 DRAWING NO: 1761715 SCALE: 6:1 SHEET: 2 OF 4 REV: D | |

| LOC | | DIST | | REVISIONS | | | |
|-----|-----|-------------|------|-----------|------|--|--|
| P | LTR | DESCRIPTION | DATE | DNW | APVD | | |
| - | - | SEE SHEET 1 | - | - | - | | |



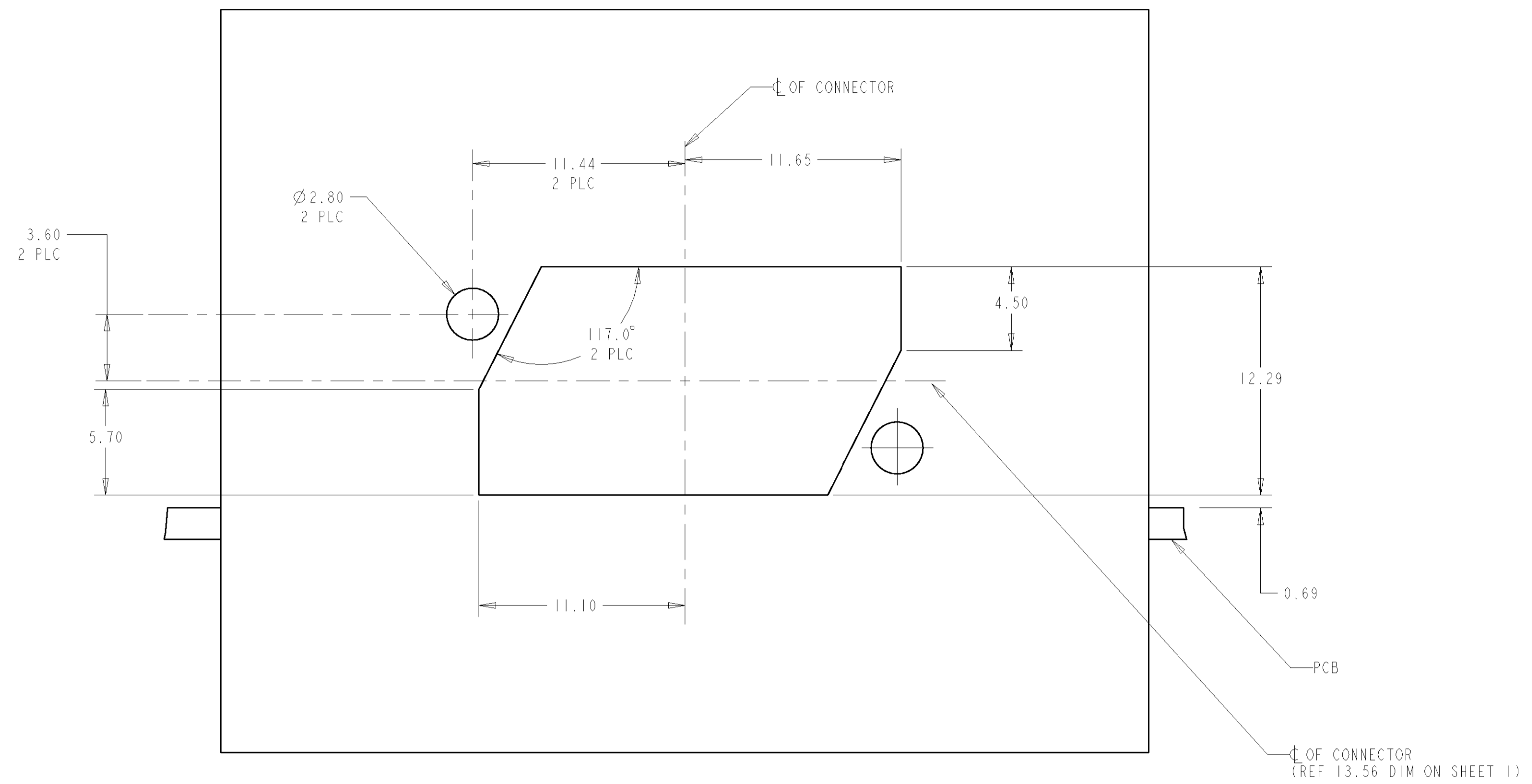
PCB LAYOUT
 FOR SOLDER TAILS
 COMPONENT SIDE
 SCALE 5:1



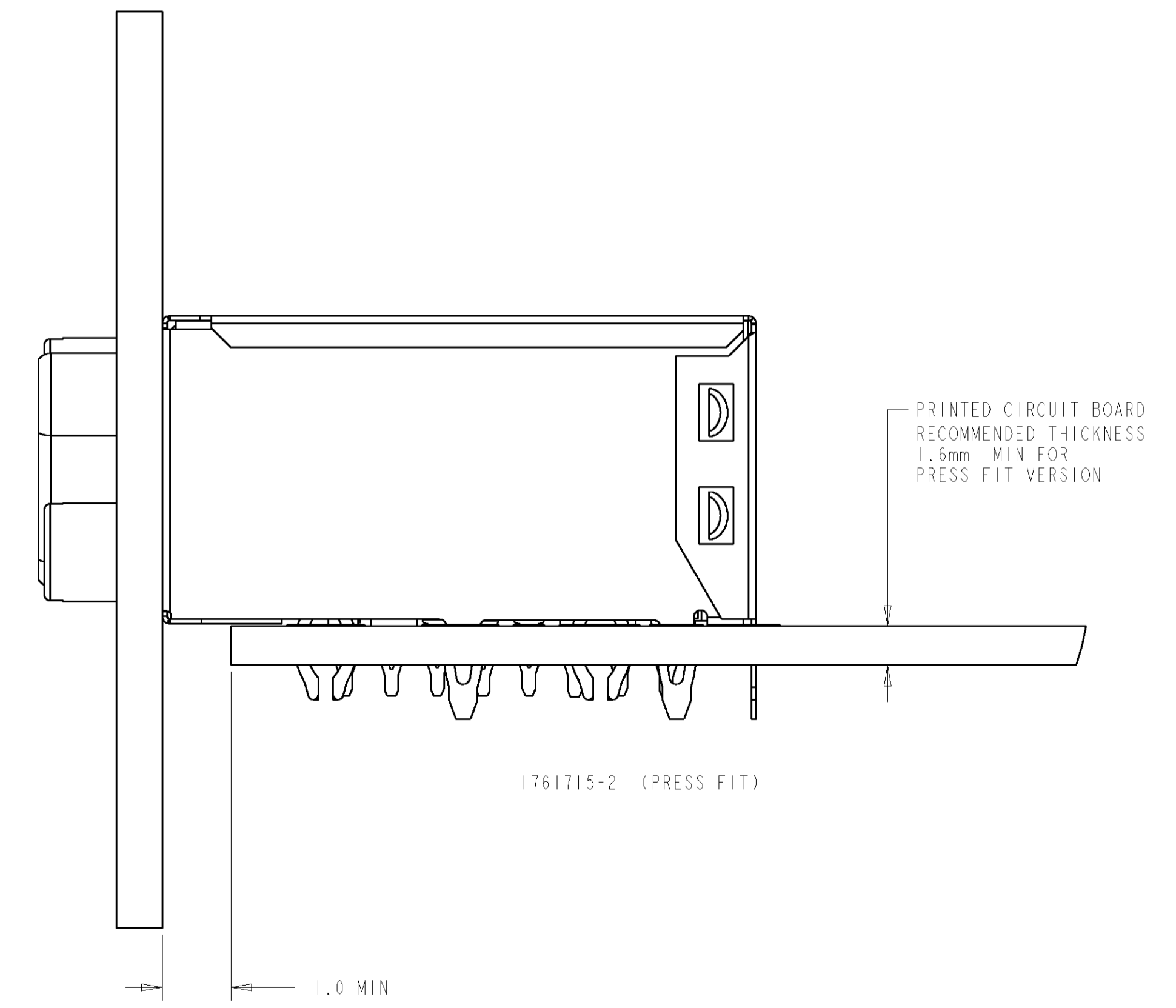
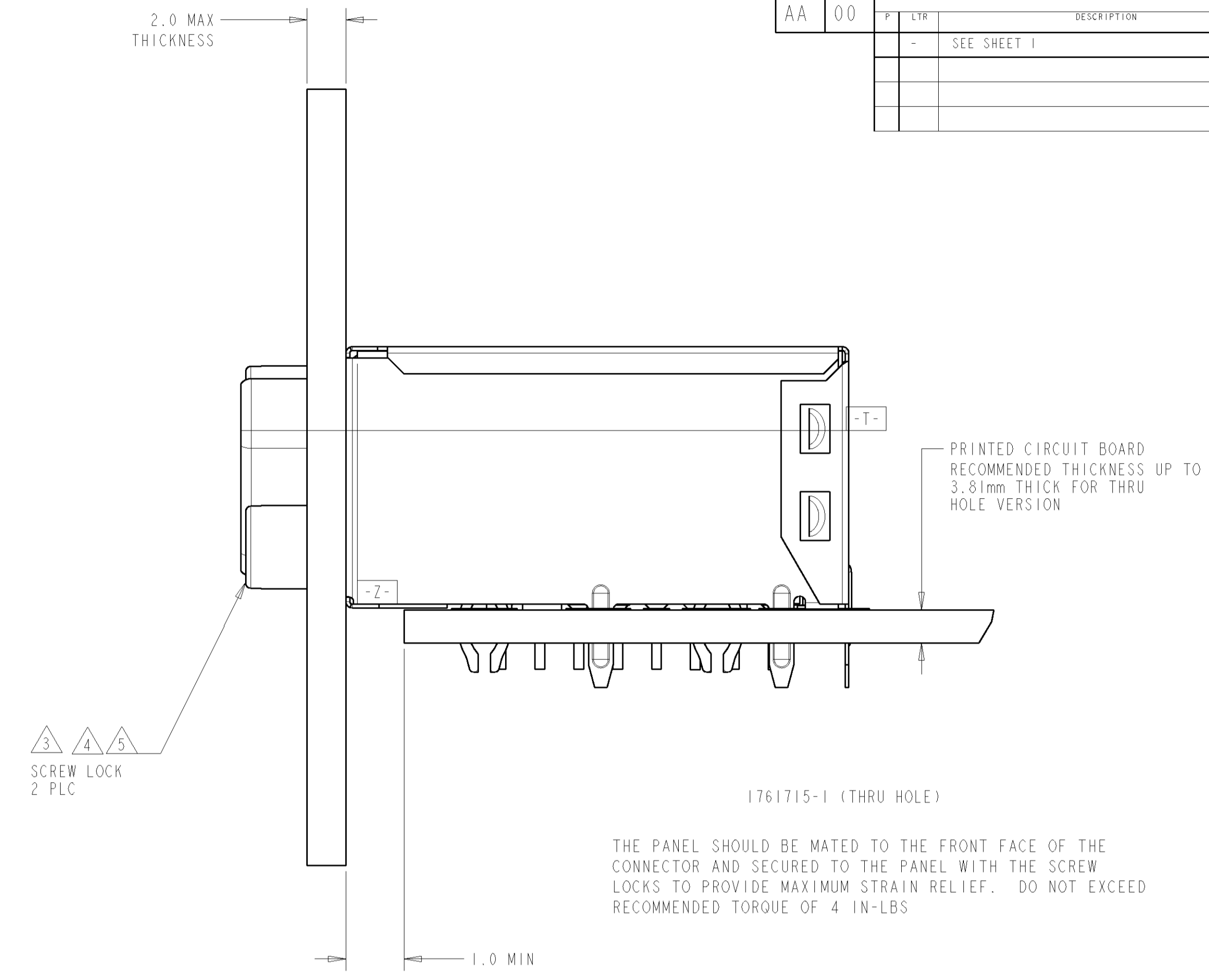
PRESS-FIT
 PCB LAYOUT
 SAME AS -1 EXCEPT AS NOTED
 SCALE 5:1

| | | | |
|--|---|--|---|
| <small>THIS DRAWING IS UNPUBLISHED. RELEASED FOR PUBLICATION BY TYCO ELECTRONICS CORPORATION. ALL RIGHTS RESERVED.</small> | | DWN: B. GRZYBOWSKI 03FEB2006 ENW: M. YEOMANS 03FEB2006 APVD: S. FLICKINGER 03FEB2006 | Tyco Electronics Harrisburg, PA 17105-3608 |
| DIMENSIONS: mm | TOLERANCES UNLESS OTHERWISE SPECIFIED: 0 PLC ± 1 PLC ±0.1 3 PLC ±0.10 4 PLC ± ANGLES ± | NAME: ASSEMBLY, RECEPTACLE, 48 POSITION, MR J21 PRODUCT SPEC: 108-2064 APPLICATION SPEC: | SIZE: A1 CAGE CODE: 00779 DRAWING NO: C-1761715 RESTRICTED TO: |
| MATERIAL: SEE NOTE 1 FINISH: | WEIGHT: - CUSTOMER DRAWING: | SCALE: 6:1 SHEET: 3 OF 4 REV: D | |

| LOC | DIST | REV | DATE | BY | APPD |
|-----|------|-----|------|----|------|
| AA | 00 | | | | |



RECOMMENDED PANEL CUTOUT (NO PANEL GROUNDS)
 SCALE 5:1



| DIMENSIONS: | | TOLERANCES UNLESS OTHERWISE SPECIFIED: | | DWN | | Tyco Electronics | |
|-------------|------------|--|--|---------------|-----------|---|--|
| mm | 0 PLC | ± | | R. GRZYBOWSKI | 03FEB2006 | Tyco Electronics Harrisburg, PA 17105-3608 | |
| | 1 PLC | ±0.1 | | M. YEOMANS | 03FEB2006 | NAME | |
| | 2 PLC | ±0.10 | | S. FLICKINGER | 03FEB2006 | ASSEMBLY, RECEPTACLE, 48 POSITION, MR J21 | |
| | 3 PLC | ± | | | | SIZE | |
| | 4 PLC | ± | | | | CAGE CODE DRAWING NO | |
| | ANGLES | ± | | | | RESTRICTED TO | |
| | FINISH | - | | | | SCALE | |
| MATERIAL | SEE NOTE 1 | - | | | | SHEET | |
| | | - | | | | REV | |
| | | - | | | | D | |