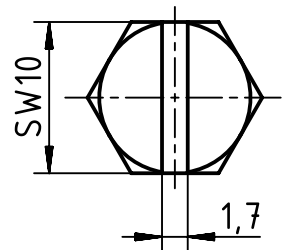
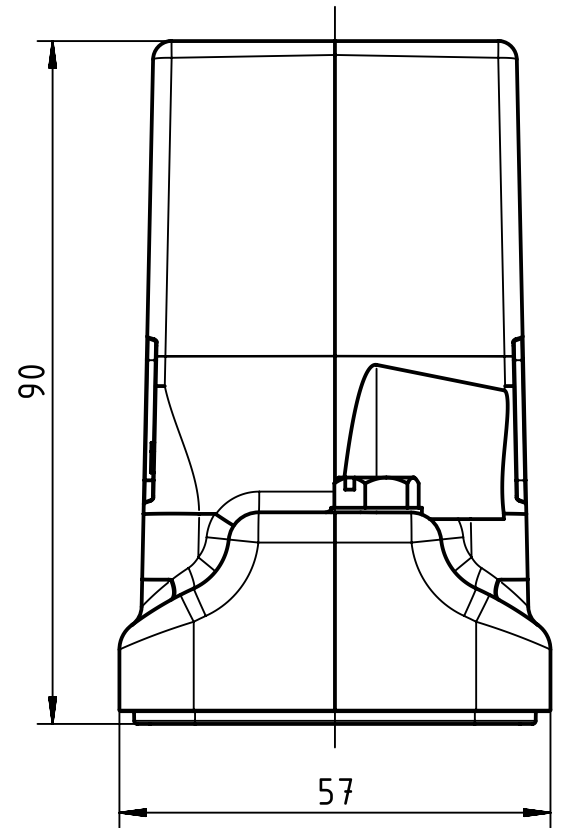
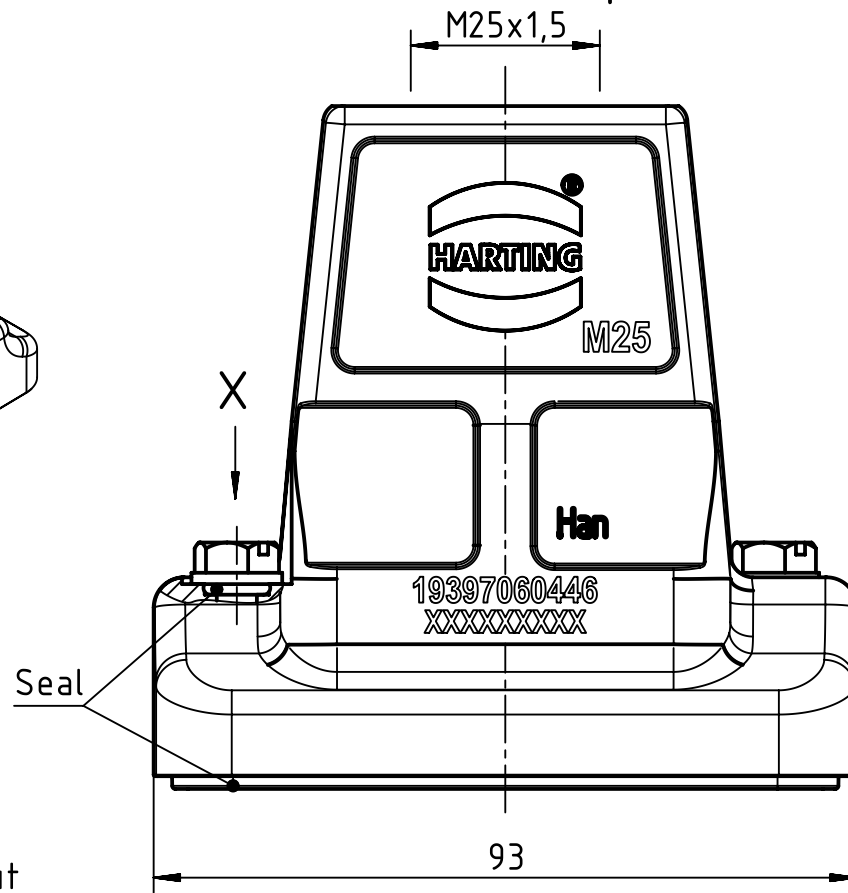
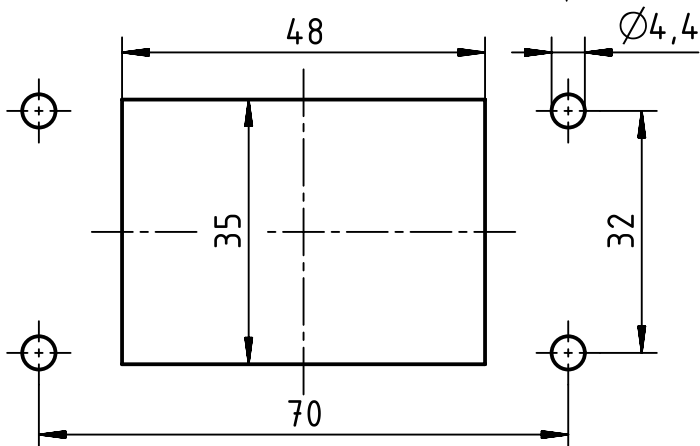


X (2:1)



Panel cut out



	All rights reserved Department EL PD - CN HARTING (Zhuhai) Manufacturing Co., Ltd. 519085 Zhuhai, China	All Dimensions in mm Original Size DIN A4		Scale 1:1	Free size tol.		Ref. Sub.	
		Created by LONGL	Inspected by WENE	Standardisation SCHMIDTM	Date 2017-03-20	State Final Release		Doc-Key / ECM-Nr. 100663697/UGD/002/C 500000116980
		Title Han 6HP Direct/M-HTE-M25			Type TB		Number 19 39 706 0446	
				Rev. C		Page 1/1		