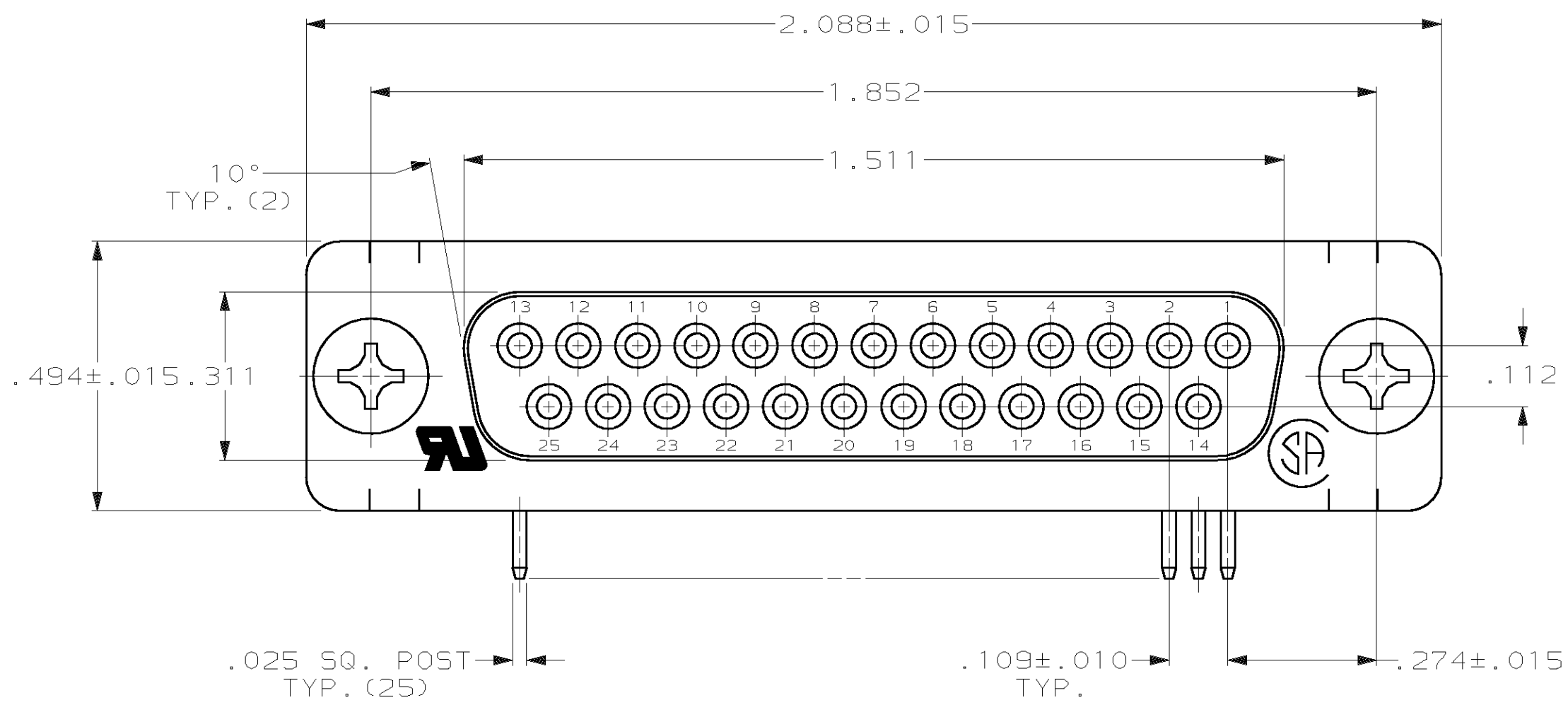
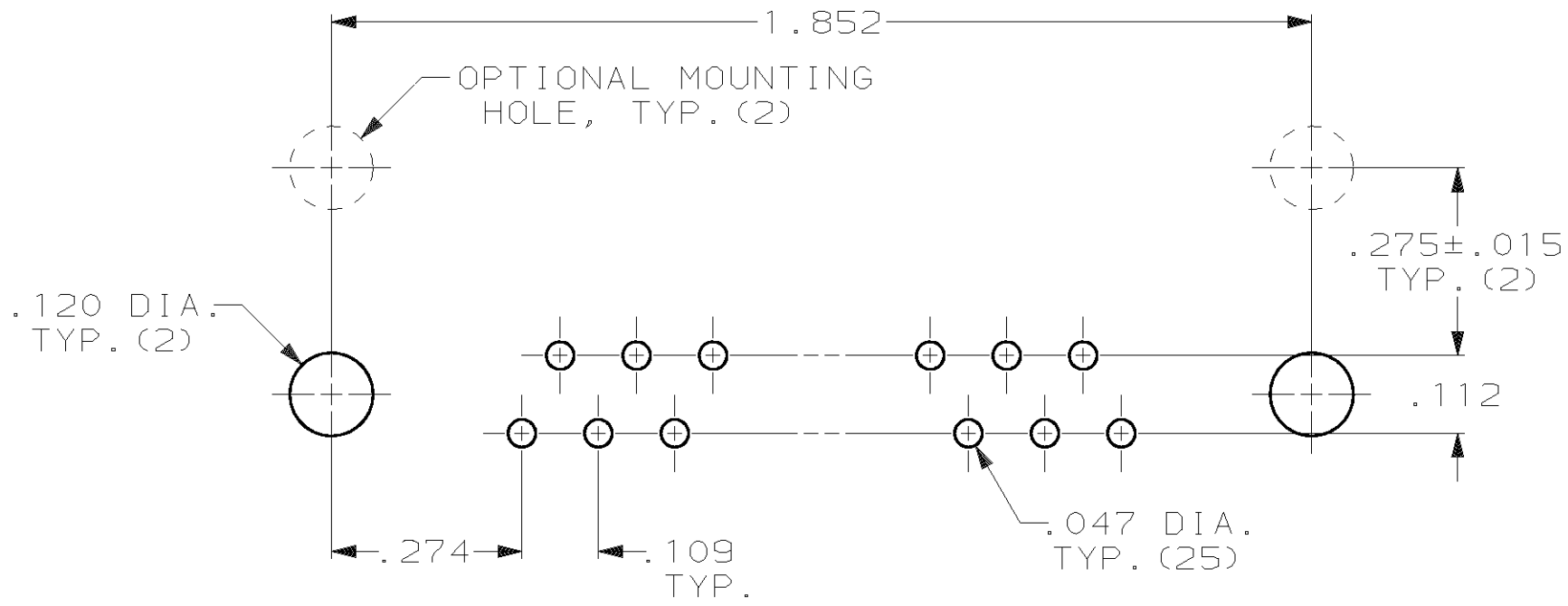
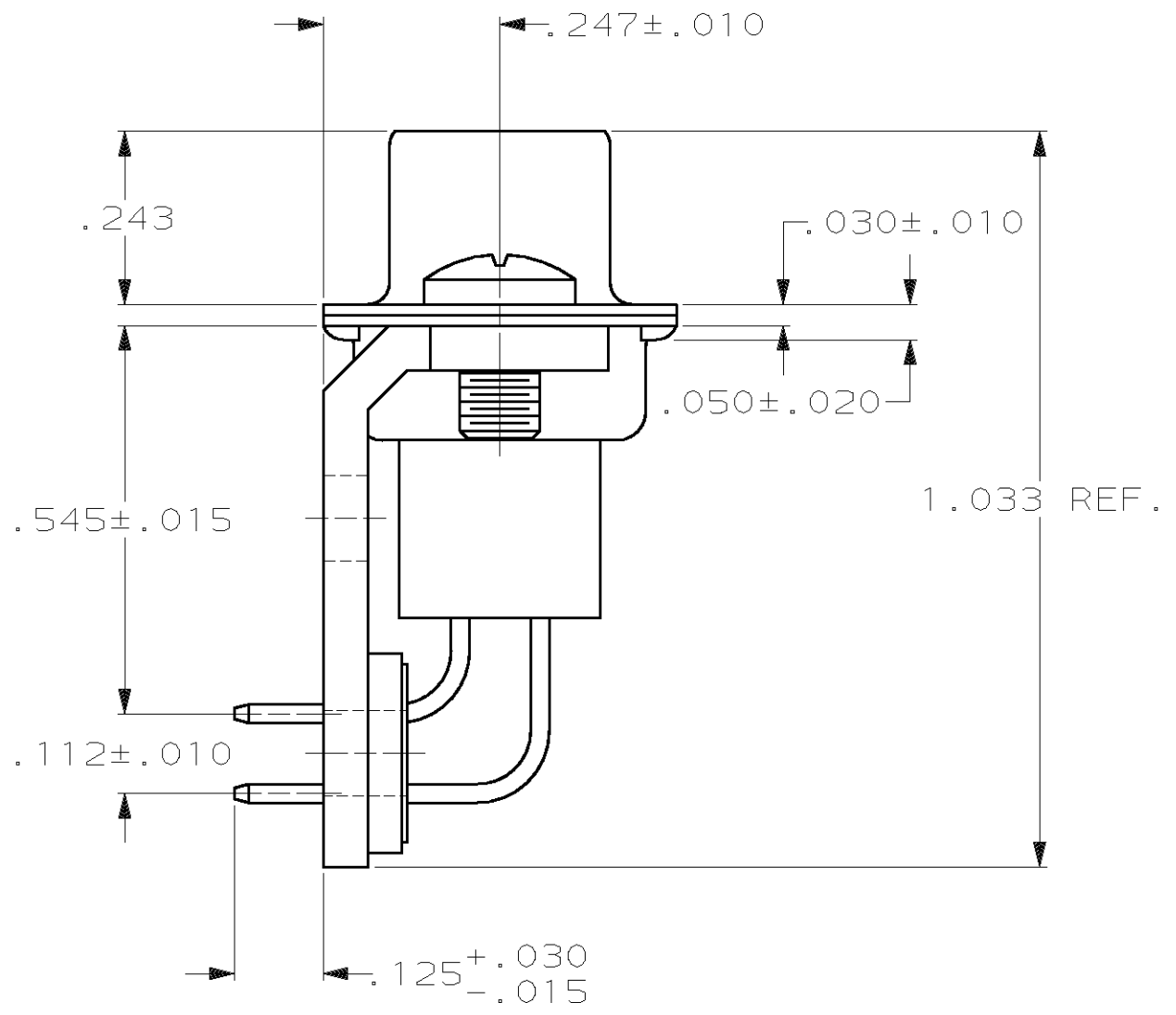
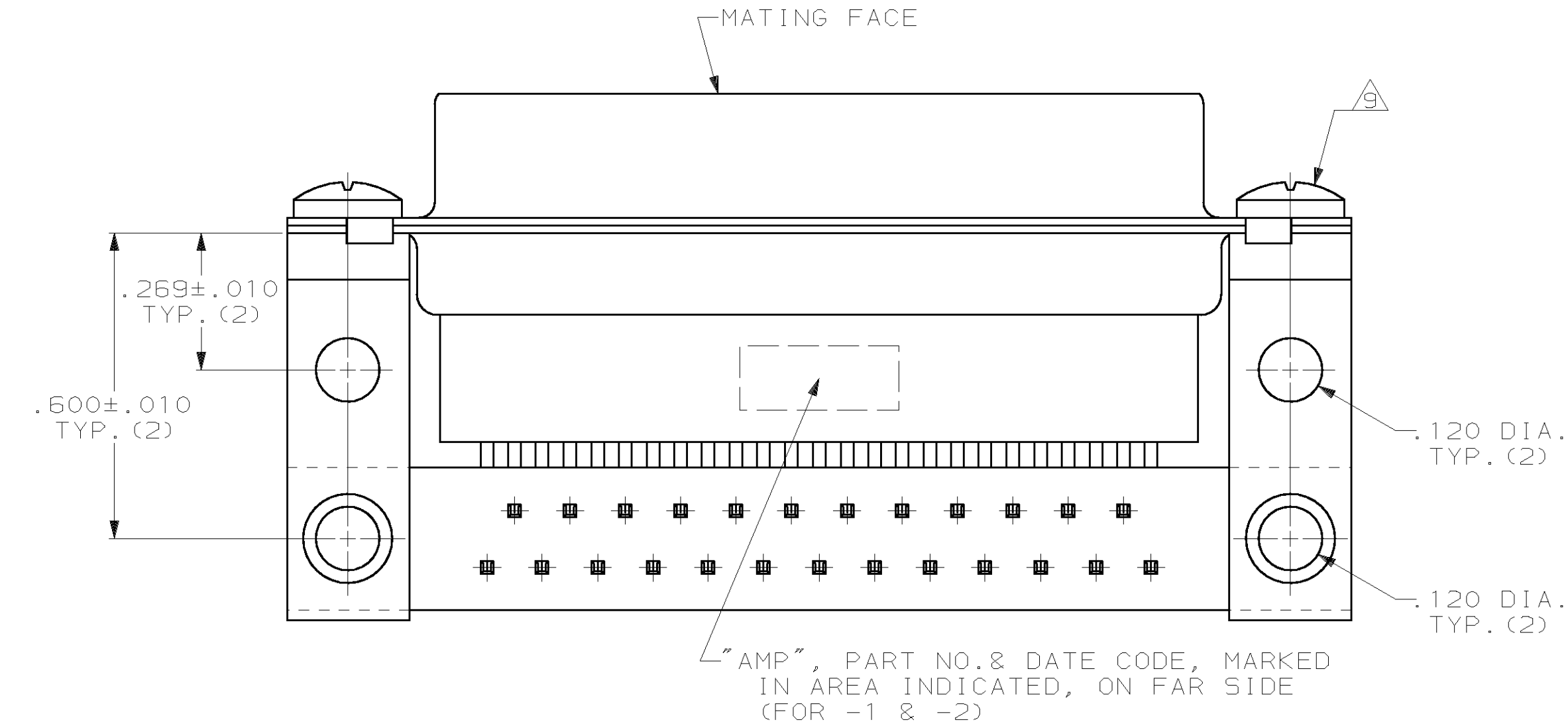


THIS DRAWING IS UNPUBLISHED. RELEASED FOR PUBLICATION, 19 .  
 © COPYRIGHT 19 BY AMP INCORPORATED. ALL INTERNATIONAL RIGHTS RESERVED.

MOD		LOC		DIST		P		F		ZONE		LTR		REVISIONS		DATE	APPD
-	GP	00													REV PER EC 001D-0275-00	03JAN02	JR



1. CONNECTOR MATES WITH ANY 25 POS. PLUG IN AMPLIMITE SERIES & COMPLIES WITH AMP SPEC. 108-40,005 WHERE APPLICABLE.
2. FLAME RETARDANT 94V-0 RATED THERMOPLASTIC; COLOR: BLACK.
3. STEEL PER ASTM A109.
4. PHOS. BRONZE PER QQ-B-750.
5. TIN PLATING PER MIL-T-10727, GOLD PLATING PER MIL-G-45204, NICKEL PLATING PER QQ-N-290.
6. TIN PLATED.
7. GOLD FLASH FOR A LENGTH OF .100 MINIMUM FROM MATING END, .000100 MINIMUM TIN-LEAD ON OPPOSITE END, BOTH OVER .000050 MINIMUM NICKEL.
8. .000030 MINIMUM GOLD FOR A LENGTH OF .100 MINIMUM FROM MATING END, .000100 MINIMUM TIN-LEAD ON OPPOSITE END, BOTH OVER .000050 MINIMUM NICKEL.
9. SCREWS ARE FOR -1 & -2.



CONTACT FINISH	PART NO
OBSOLETE	745114-3
OBSOLETE	745114-2
OBSOLETE	745114-1

DO NOT SCALE PRINT. UNLESS SPECIFIED DIMENSIONS IN INCHES TOLERANCES ON : 2 PLC DEC ± .005 3 PLC DEC ± .005 ANGLES ± 2°		DR 12-9-83 J. GERACE		AMP Incorporated Harrisburg, PA 17105-3608	
MATERIAL MOLDED PARTS: 2 SHELLS & BRACKETS: 3 CONTACTS: 4		CHK 12-9-83 J. GERACE			
FINISH SHELLS & BRACKETS: 5 CONTACTS: SEE TABLE		APPD 3-15-84 P. SWEIGARD		NAME RECEPTACLE ASSEMBLY, SIZE 3, 25 POS., RIGHT ANGLE, .545 SERIES, .025 SQ. POSTS, AMPLIMITE™ HDP	
		APPD 3-15-84 J. ASSINI		SIZE C	
		PRODUCT SPEC		CAGE CODE 00779	
		APPLICATION SPEC		DRAWING NO C=745114	
		WEIGHT		SCALE NTS	
				SHEET 1 OF 1	

THIS DRAWING IS A CONTROLLED DOCUMENT FOR AMP INCORPORATED. IT IS SUBJECT TO CHANGE AND THE CONTROLLING ENGINEERING ORGANIZATION SHOULD BE CONTACTED FOR THE LATEST REVISION.