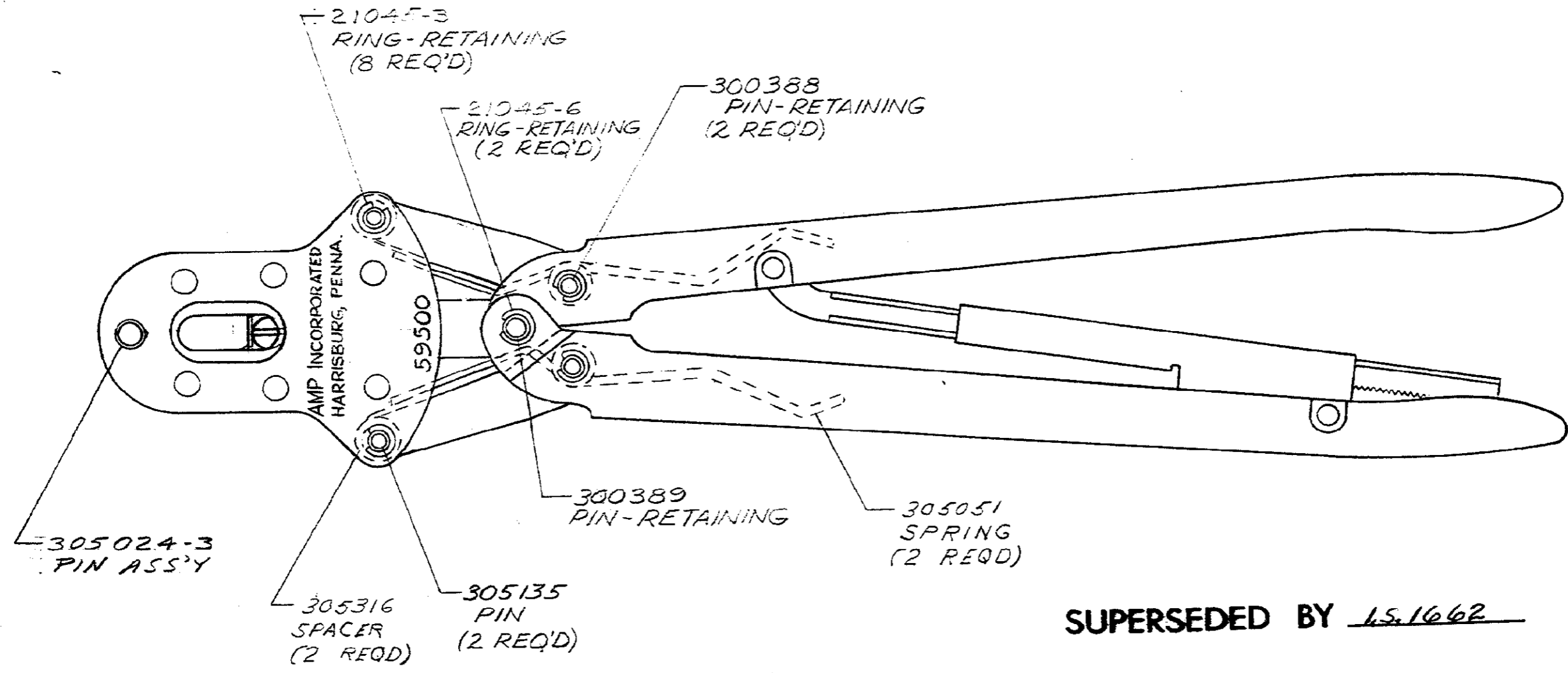


CATALOG NUMBER 59500



SUPERSEDED BY 15.1662

For replacement of parts other than Snap Rings or Pins, Tool should be returned to our Factory to insure proper Certi-Crimp Adjustment.

ST.	NO.	ALT.
1		
2		
3	X	G
4		
5		
6		
7		
8		
9		
10		
11		
12		
13		
14		
15		
16		
17		
18		
19		
20		
21		

CUSTOMER COPY REFERENCE ONLY				AMP INCORPORATED HARRISBURG, PENNA.	
© 1953 BY AMP INCORPORATED ALL RIGHTS RESERVED - AMP PRODUCTS COVERED BY PATENTS AND/OR PATENTS PENDING.				TERMASHIELD CRIMPING TOOL ASSEMBLY	
CLASS		SCALE		CATALOG NUMBER	
TYPE		1-1		59500	
SIZE		RE.		G.	
LOC.	SIZE	DR.	DATE	APP'VD	DATE
M	B	DR. L. OSMAN	11/19/59	E. J. F. [Signature]	11/19/59
		CKD. J. B. Foster	10/20/59		