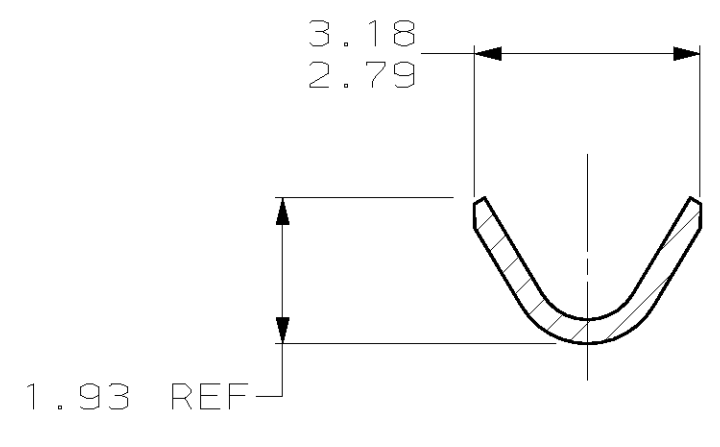
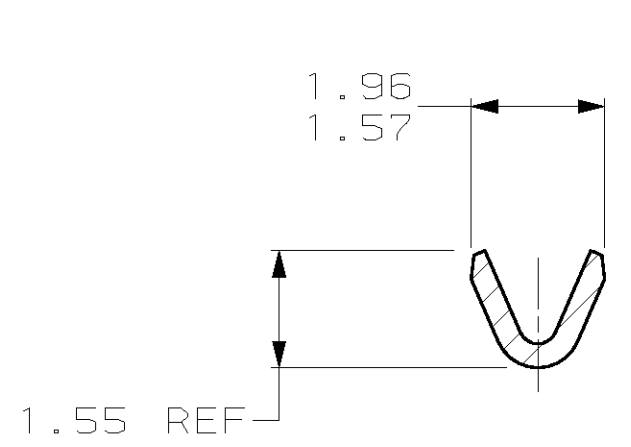
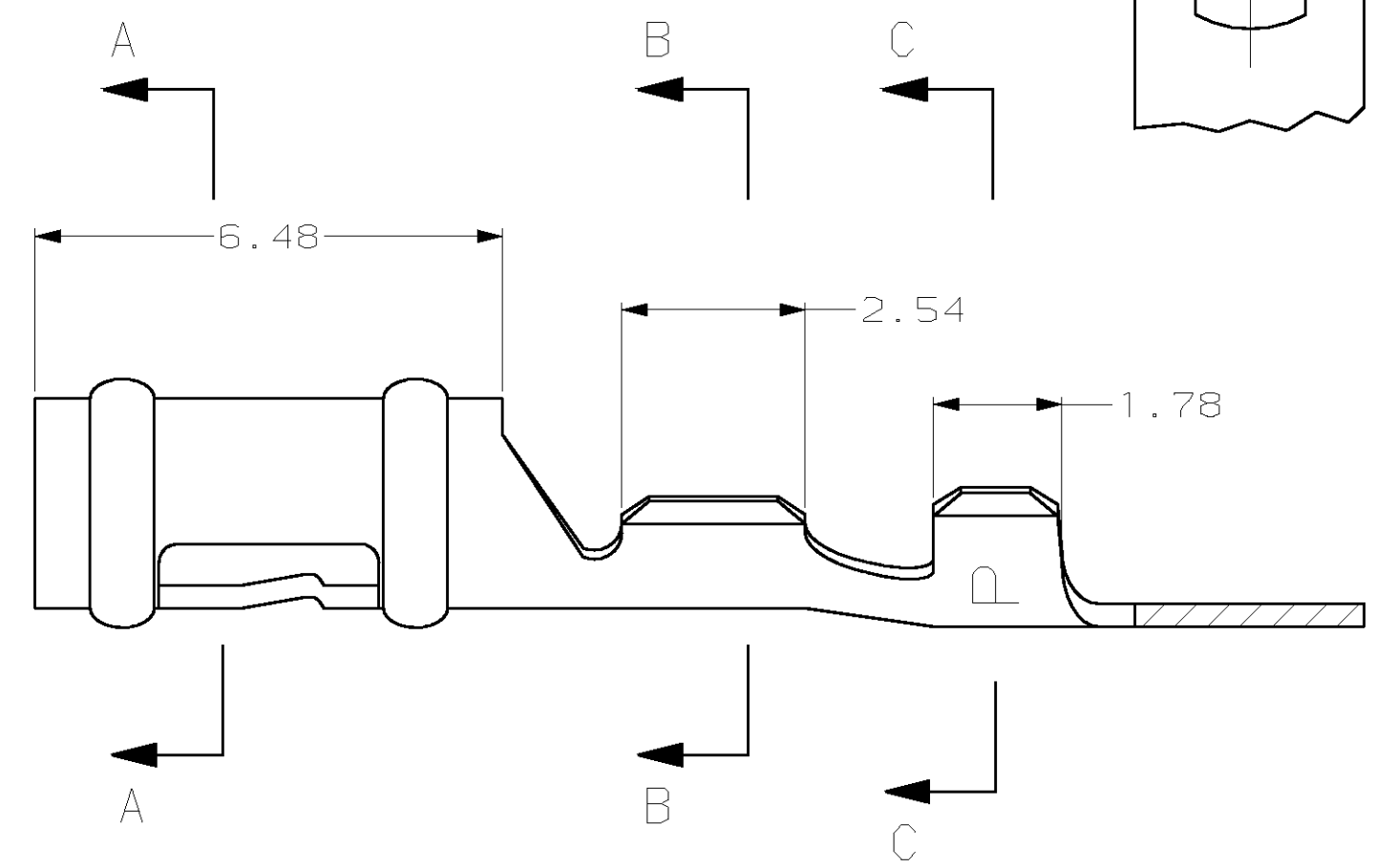
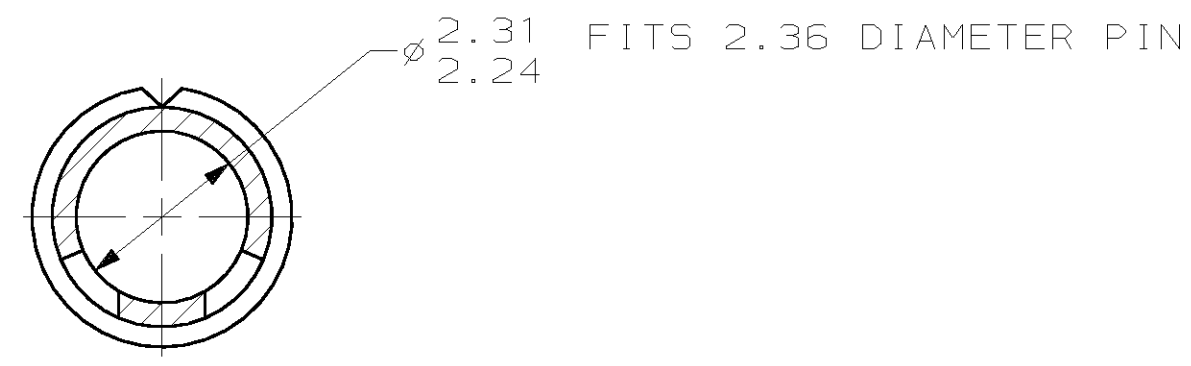
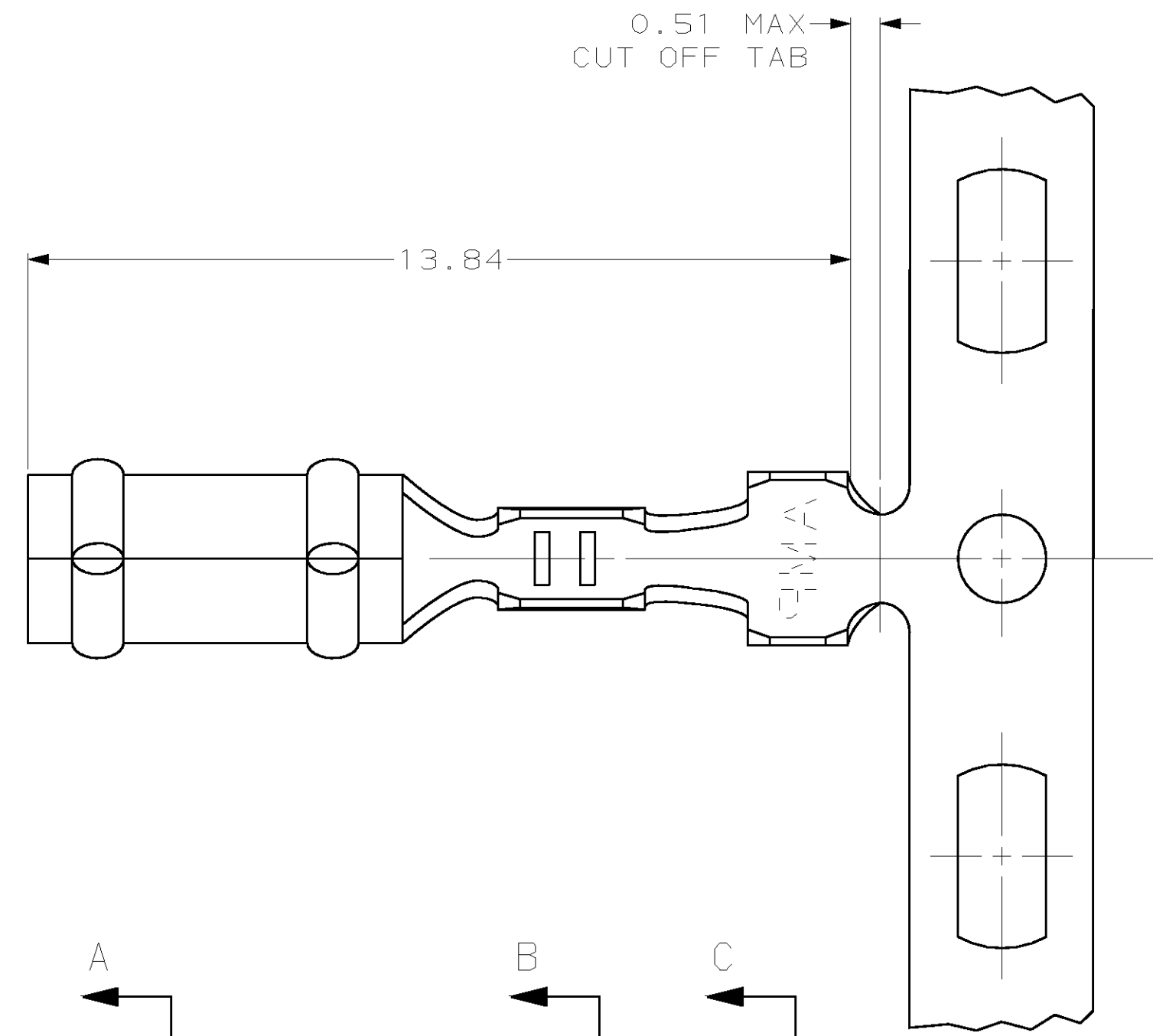


THIS DRAWING IS UNPUBLISHED. RELEASED FOR PUBLICATION .19
 (C) COPYRIGHT 19 BY AMP INCORPORATED. ALL RIGHTS RESERVED.

LOC		DIST		REVISIONS			
P	LTR	DESCRIPTION	DATE	DWN	APVD		
CM	52	F	REVIS PER EC 0G1B-0065-99	17-JUN-99	KW	JE	

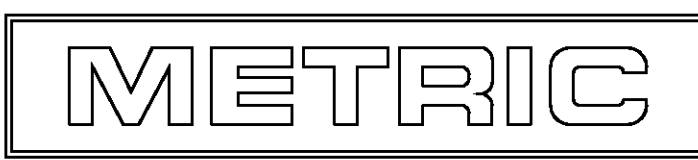
1. WIRE RANGE: 0.08 - 0.15 MM² (28 - 26 AWG)
2. INSULATION RANGE: 0.81 - 1.45



MINI 350221-1
 APPLICATOR PART NUMBER

MM	IN	MM	IN	MM	IN	MM	IN
1.45	.057	1.96	.077	2.79	.110	-	-
0.81	.032	1.93	.076	2.54	.100	-	-
0.51	.020	1.78	.070	2.36	.093	13.84	.545
0.32	.013	1.57	.062	2.31	.091	6.48	.255
0.13	.005	1.55	.061	2.24	.088	3.18	.125
MM	IN	MM	IN	MM	IN	MM	IN

CONVERSION TABLE



THIS DRAWING IS A CONTROLLED DOCUMENT.		DWN	T. BECK	6-16-97	AMP Incorporated Harrisburg, PA 17105-3608	
DIMENSIONS: mm		CHK	R. SWING	6-16-97		
TOLERANCES UNLESS OTHERWISE SPECIFIED:		APVD	A. BEDDICK	8-22-97		
0 PLC ±- 1 PLC ±- 2 PLC ±0.13 3 PLC ±- 4 PLC ANGLES ±-		PRODUCT SPEC	108-1025	NAME		RECEPTACLE, .093 DIAMETER, 28-26 AWG, .032-.057 INSULATION, P.C. CONTACT
MATERIAL	0.32 PH BRZ	FINISH	PRE TIN	APPLICATION SPEC	114-1008	
CUSTOMER DRAWING		WEIGHT	-	SIZE	A2	
SCALE		10:1	SHEET	1 OF 1	REV	F

350221

B

A