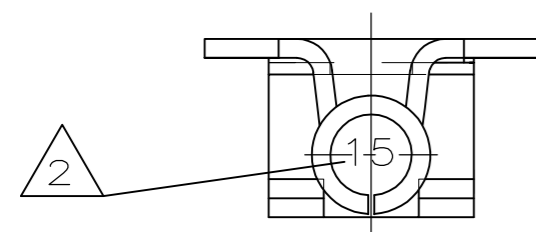
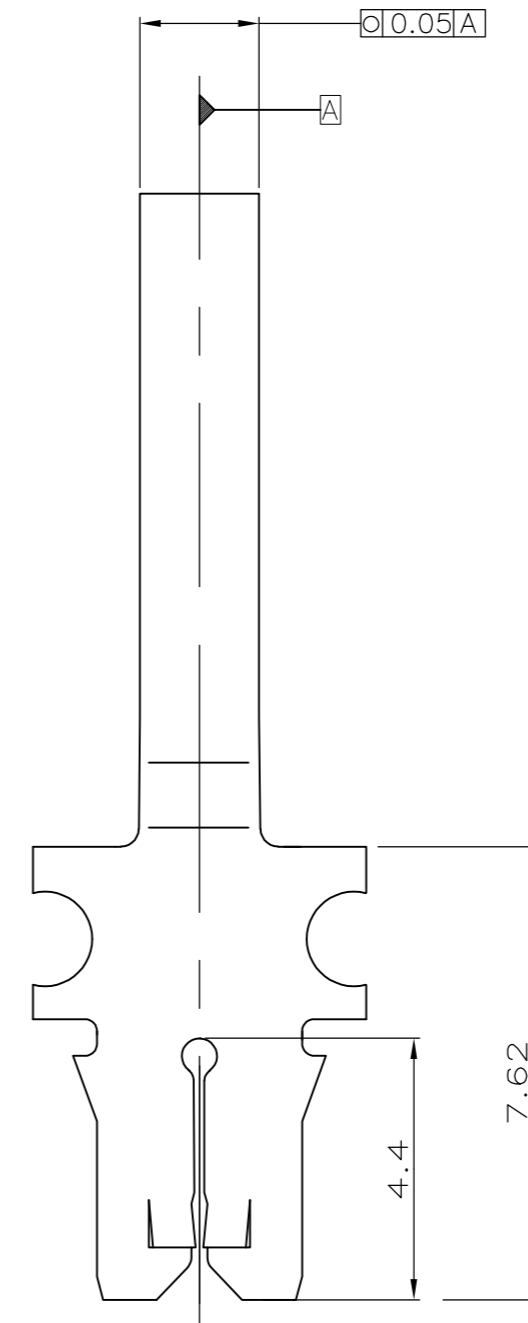
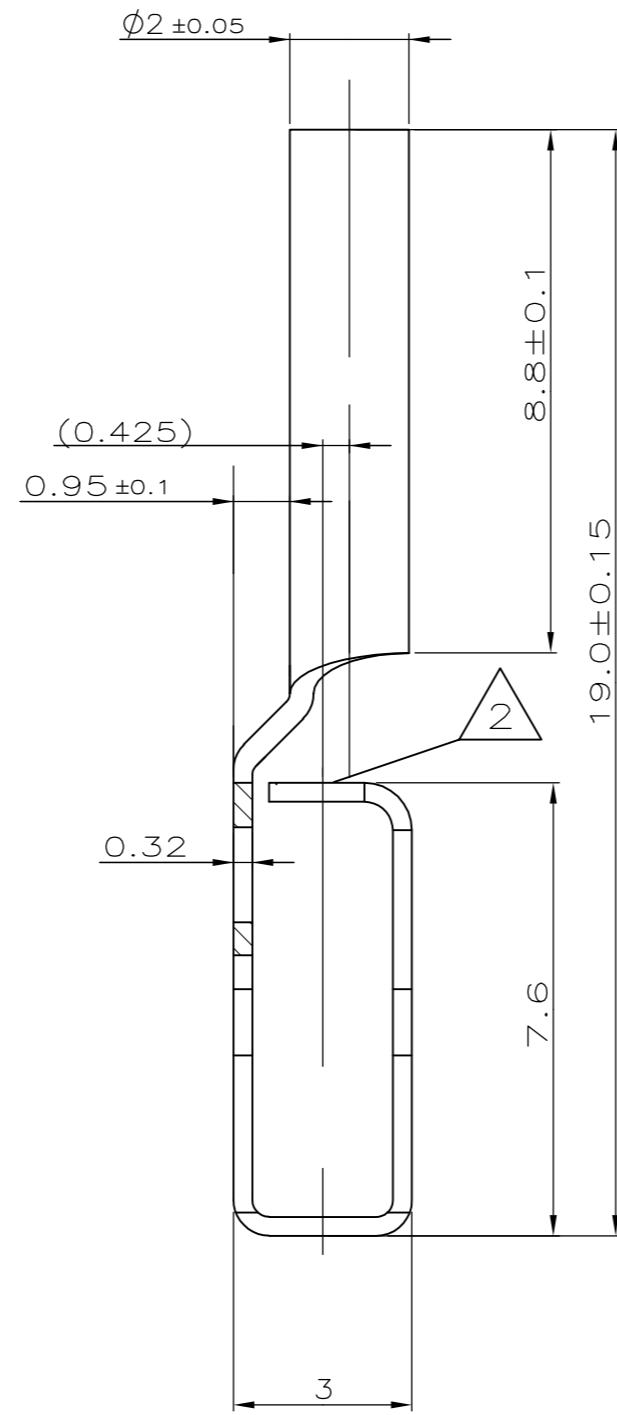
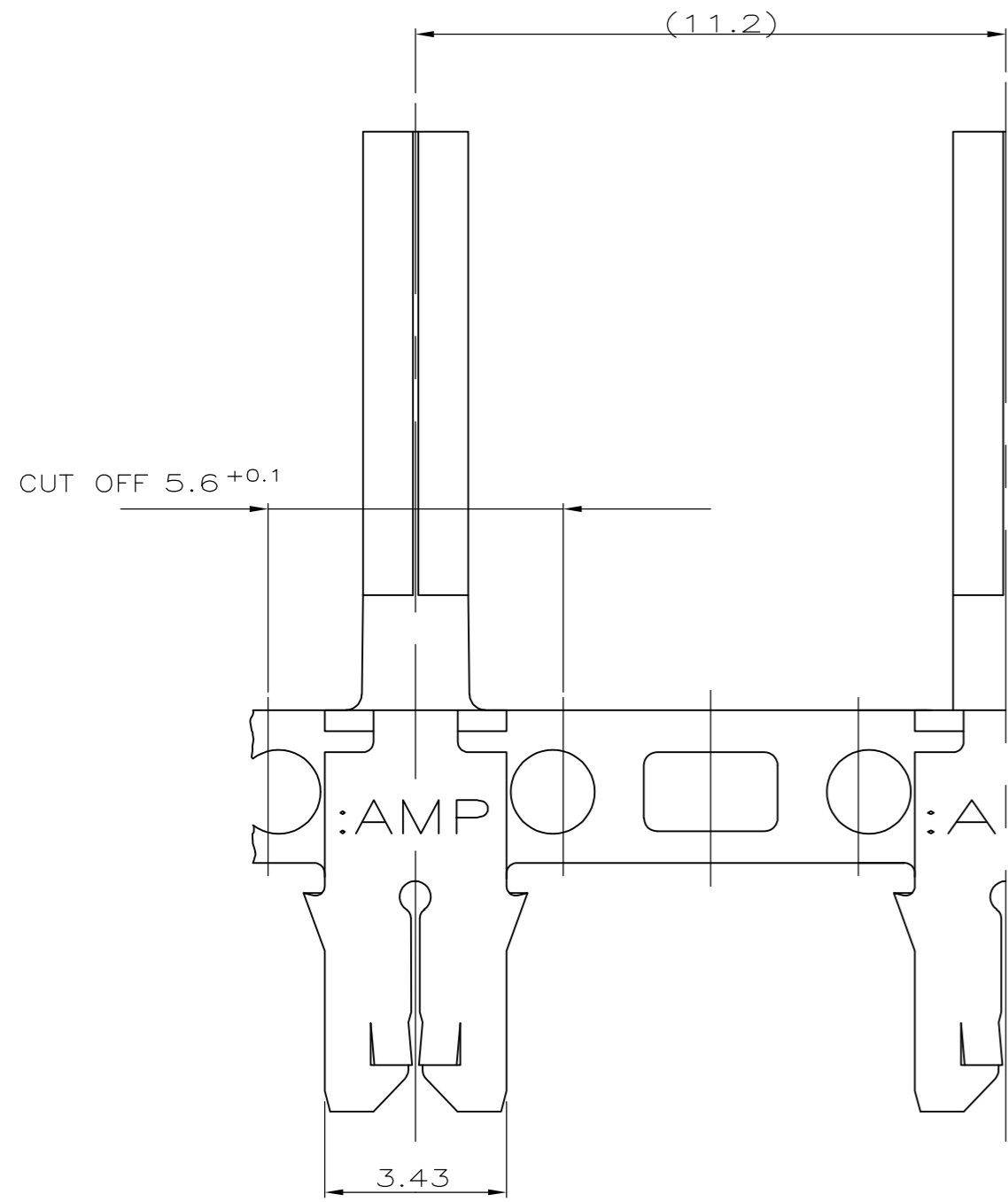


THIS DRAWING IS UNPUBLISHED. RELEASED FOR PUBLICATION  
 © COPYRIGHT - By - ALL RIGHTS RESERVED.

LOC		DIST		REVISIONS			
P	LTR	DESCRIPTION		DATE	DWN	APVD	
	A	INITIAL RELEASE		08NOV2012	PKS	RRP	



- 3 Kontakt-Kammer nach Zeichnung. 411-18512  
REFER CONTACT CAVITY DWG. 411-18512
- △ Kennziffer für Lackdrahtbereich (15)  
IDENTIFIKATION NO. FOR MAGNET WIRE RANGE (15)
- 1 Geeignet für Kupferlackdraht (einfach) Ø0.57-0.81mm  
SLOT ACCEPTS SINGLE COPPER MAGNET WIRE AWG 23-20

PRE-TINNED	BRASS	2178472-1
FINISH	MATERIAL	P/N

THIS DRAWING IS A CONTROLLED DOCUMENT.		DWN	07NOV2012	TE Connectivity	
DIMENSIONS: mm		CHK	08NOV2012		
TOLERANCES UNLESS OTHERWISE SPECIFIED:		APVD	08NOV2012		
0 PLC ± 0.2 1 PLC ± 0.2 2 PLC ± 0.2 3 PLC ± 0.2 4 PLC ± - ANGLES ± 30		PRODUCT SPEC	NAME		
MATERIAL SEE TABLE		FINISH SEE TABLE		MAG MATE PIN-KONTAKT MAG MATE STIFT-KONTAKT	
WEIGHT		-		SIZE	A2
CUSTOMER DRAWING		SCALE 10:1		CAGE CODE	00779
		DRAWING NO		DRAWING NO	C=2178472
		RESTRICTED TO		SHEET	1 of 1
		REV		REV	A

2178472