

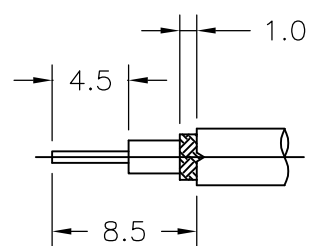
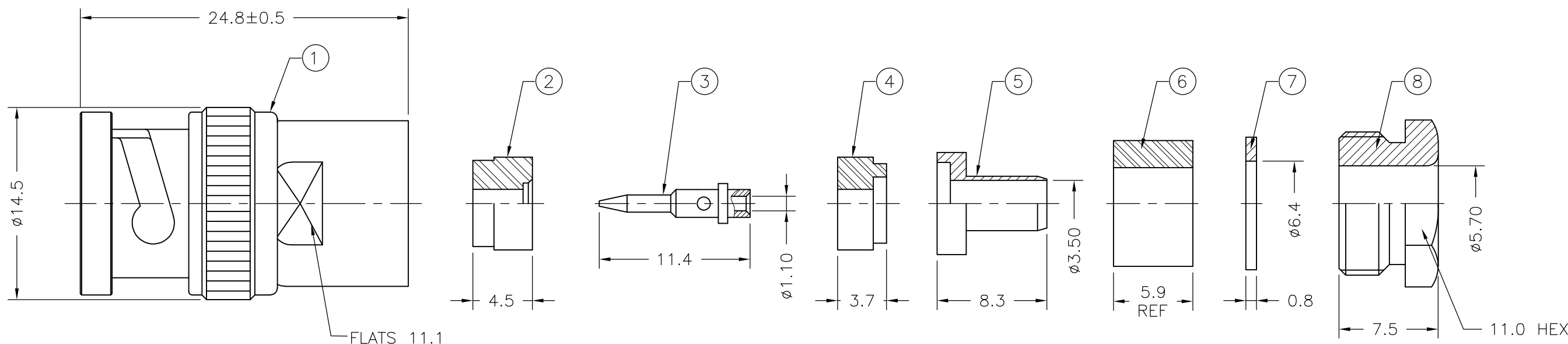
THIS DRAWING IS UNPUBLISHED.

RELEASED FOR PUBLICATION

© COPYRIGHT - By -

ALL RIGHTS RESERVED.

LOC	DIST	REVISIONS			
P	LTR	DESCRIPTION	DATE	DWN	APVD
	C	ECR-12-015809	07SEP2012	RZ	MY



STRIPPING DIMENSION

NOTES:

1. SUPPLIED SEMI-ASSEMBLED (PACK CONTAINS LOOSE PIECES).
2. DIE SET PART NUMBER N/A
HANDTOOL PART NUMBER N/A
3. FOR USE ON CABLES: URM202
4. CHARACTERISTICS:
 - 4.1 FREQUENCY RANGE: DC-1GHz
 - 4.2 NOMINAL IMPEDANCE: 75 OHMS
 - 4.3 INSULATION RESISTANCE: 5000 MOHMS
 - 4.4 WORKING VOLTAGE: 500 V MAX
 - 4.5 DIELECTRIC WITHSTAND VOLTAGE: 1500 V MAX
 - 4.6 CONTACT RESISTANCE:
CENTER CONTACT: 1.5 MILLIOHMS
OUTER CONTACT: 1 MILLIOHMS
 - 4.7 VSWR: 1.3 MAX
 - 4.8 INSERTION LOSS: 0.2 dB MAX
 - 4.9 DURABILITY: 500 CYCLES
 - 4.10 CLAMP NUT RECOMMENDED TORQUE: 8 IN-LBS MAX.
 - 4.11 TEMPERATURE RANGE: -65°C TO +165°C
5. THIS PART HAS NOT COMPLETED VALIDATION TESTING.

1	SILVER	BRASS	NUT	8
1	SILVER	BRASS	WASHER	7
1	WHITE	SILICONE RUBBER	GASKET	6
1	SILVER	BRASS	SLEEVE	5
1	NONE	PTFE	INSULATOR	4
1	SILVER	BRASS	CONTACT PIN	3
1	NONE	PTFE	INSULATOR	2
1	SILVER	BRASS	MAIN BODY	1
1-1478405-0	FINISH	MATERIAL	DESCRIPTION	ITEM

THIS DRAWING IS A CONTROLLED DOCUMENT.		DWN RITA ZUO 07SEP2012	TE Connectivity BNC STRAIGHT PLUG 75 OHM FOR URM 202 CABLE											
DIMENSIONS: mm		CHK GARY GAO 07SEP2012												
TOLERANCES UNLESS OTHERWISE SPECIFIED:		APVD MARTIN YE 07SEP2012												
<table border="0"> <tr> <td>0 PLC</td><td>± -</td></tr> <tr> <td>1 PLC</td><td>± 0.2</td></tr> <tr> <td>2 PLC</td><td>± 0.1</td></tr> <tr> <td>3 PLC</td><td>± -</td></tr> <tr> <td>4 PLC</td><td>± -</td></tr> <tr> <td>ANGLES</td><td>± -</td></tr> </table>		0 PLC				± -	1 PLC	± 0.2	2 PLC	± 0.1	3 PLC	± -	4 PLC	± -
0 PLC	± -													
1 PLC	± 0.2													
2 PLC	± 0.1													
3 PLC	± -													
4 PLC	± -													
ANGLES	± -													
MATERIAL		PRODUCT SPEC	SIZE	CAGE CODE	DRAWING NO	RESTRICTED TO								
-		APPLICATION SPEC	411-3274	A300779	C-1478405	-								
FINISH		WEIGHT	CUSTOMER DRAWING			SCALE	SHEET							
-		-	-			3:1	1 OF 1							
						REV	C							