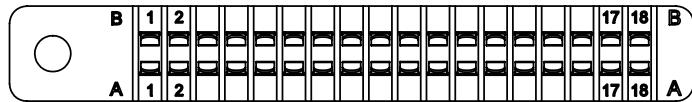
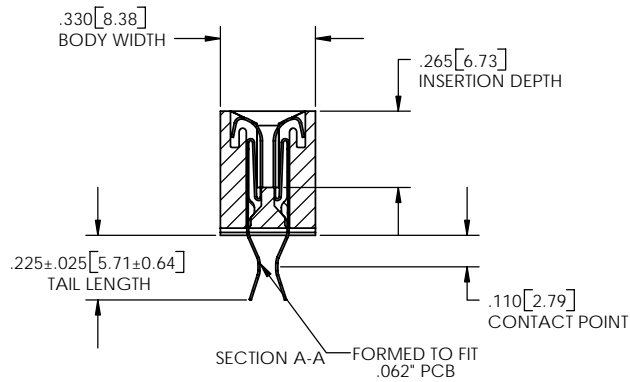
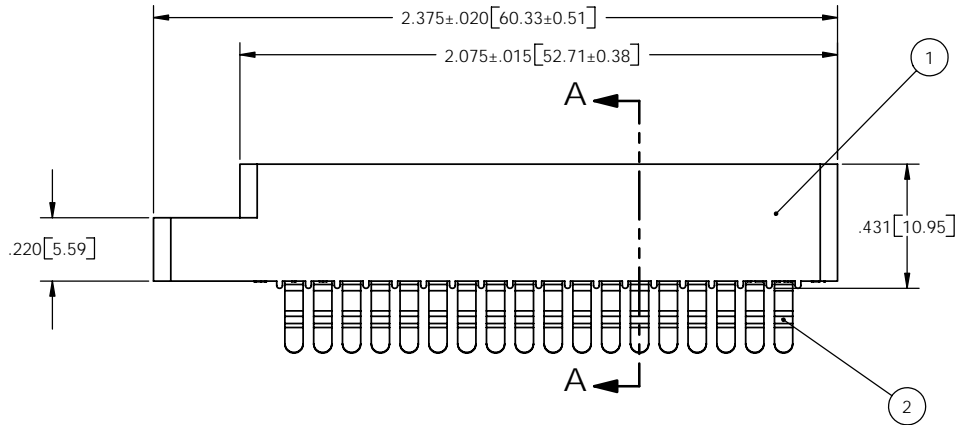
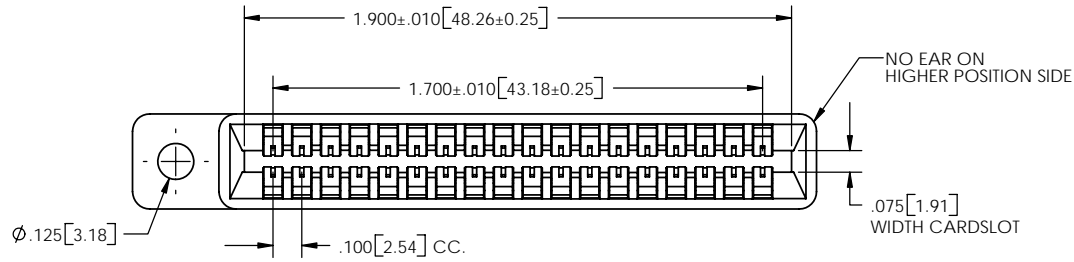


REVISIONS				
REV.	ECO. NO	DESCRIPTION	DATE	BY
A	559	INITIAL RELEASE	3/3/2005	AN
B	744	SHOW BAR STANDOFFS ON EARS, UPDATE INSULATOR P/N TO C18X-P330	09/29/05	MNH
C	944	CHANGED CARDSLOT CHAMFERS TO PROTECT THE PINS FROM DAMAGE, AND INSULATOR FROM P330 TO P340	2/28/2006	TT
D	984	CHANGE CONTACT PIN TO V115, CHANGE BODY FROM P340 TO P40	04/24/06	MNH



NOTES:

- THIS SPECIFICATION COVERS THE REQUIREMENTS FOR A DUAL ROW 18 POSITION EDGE CARD CONNECTOR
- INSULATOR MATERIAL: PPS
- CONTACT MATERIAL: PHOSPHOR BRONZE.
- PLATING: .000030" GOLD ON CONTACT SURFACE.
.000100" PURE TIN, MATTE ON TERMINAL.
.000050" NICKEL UNDERPLATE.
- OPERATING TEMPERATURE: -65°C TO +125°C.
- PROCESSING TEMPERATURE: 260°C MAX FOR 120 SECS MAX.
- UL FLAMABILITY RATING: 94V-0
- DIELECTRIC WITHSTANDING VOLTAGE: 600 VDC MIN. AT SEA LEVEL
- CURRENT RATING: 3 AMP
- VOLTAGE DROP: 30 MILLIVOLT AT RATED CURRENT.
- INSULATION RESISTANCE: 5000 MEGOHMS @ 500 VDC.
- CONNECTOR IDENTIFICATION: PART SHALL BE MARKED WITH PART NUMBER AND DATE CODE.
- ACCOMMODATES BOARD THICKNESS .054 TO .070 INCH THICK.
- BOARD INSERTION FORCE: 16 Oz MAX. PER CONTACT PAIR USING .062 PCB
- BOARD WITHDRAWAL FORCE: 1 Oz MIN. PER CONTACT PAIR USING .062 PCB.
- MODIFICATION: CARD EXTENDER BEND FOR LOW PROFILE CONNECTOR, .055" INSIDE DIMENSION FOR .062" PCB, MOUNTING EAR ON POSITION 1 SIDE, NO MOUNTING EAR ON HIGH NUMBER SIDE.

REFERENCE: RCC18DRVH-P64

ITEM	PART NO	DESCRIPTION	DWG NO	QTY.
2	E_C-V115	CONTACT PIN	10702	36
1	C18X-P40	INSULATOR, .100 CC, L.P., MP	10423	1

BILL OF MATERIALS			
DATE	NAME	SULLINS ELECTRONICS	
6/28/2006	Aria.N	EDGE CARD CONNECTOR	
PART NO. :MPSL-1100-18-DSE-9GK		SIZE	REV
DWG. NO. 10428		C	D
SCALE: 3:1		SHEET 1 OF 1	



RoHS COMPLIANT

INTERPRET DIMENSIONS AND GEOMETRIC TOLERANCING PER: ANSI Y14.5-1984