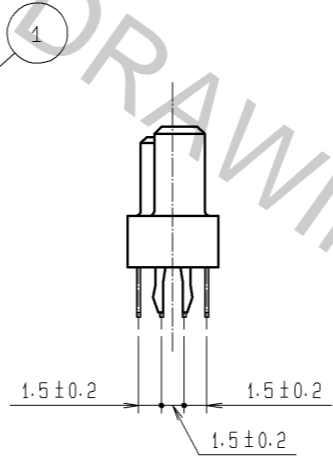
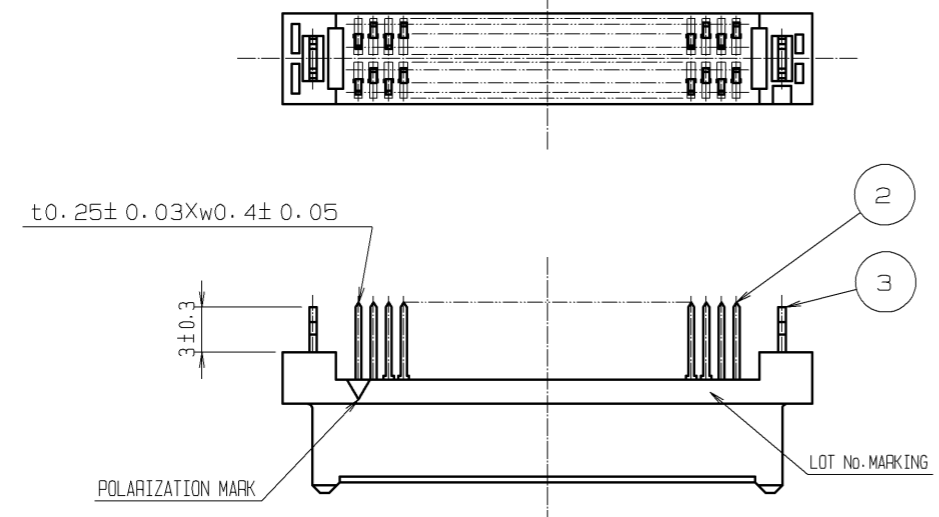
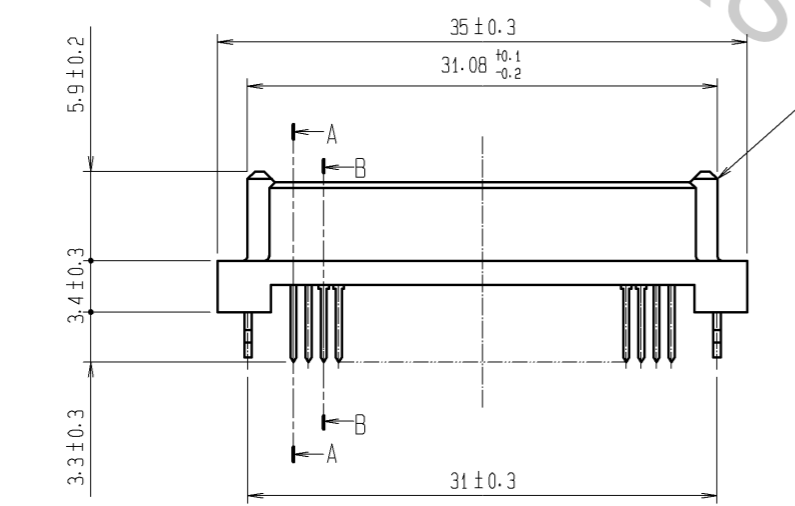
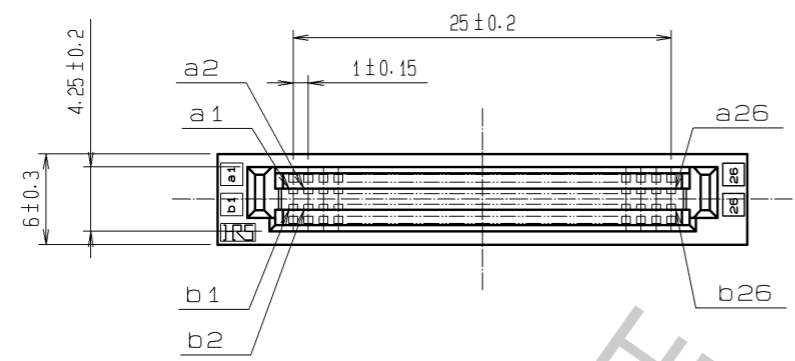
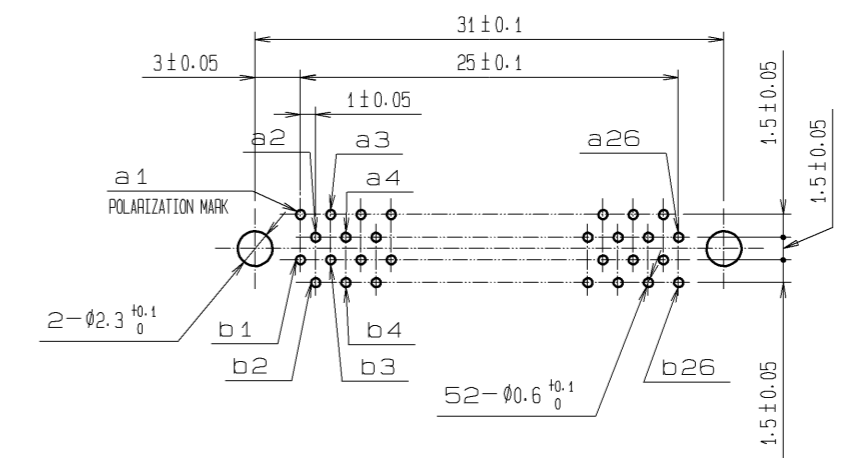


Apr.1.2017 Copyright 2017 HIROSE ELECTRIC CO., LTD. All Rights Reserved.

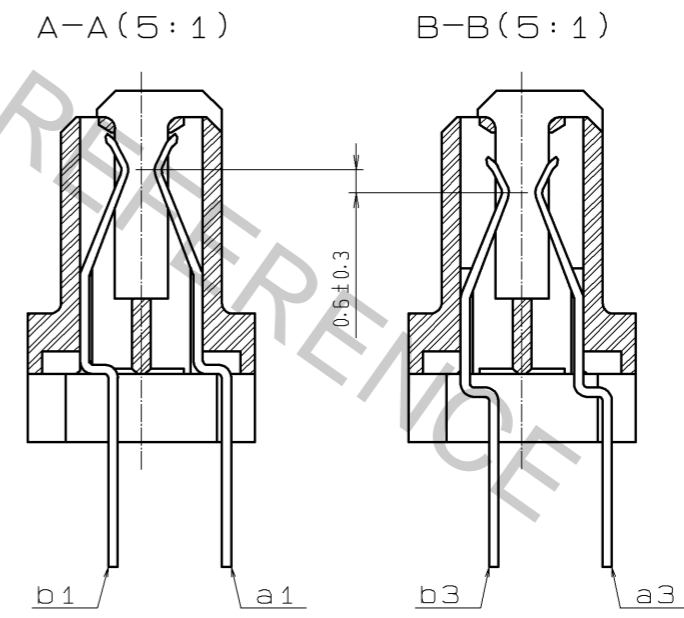


RECOMMENDED PC BOARD HOLE PATTERN (MOUNTING SIDE)  
APPLICABLE BOARD THICKNESS: 1.6



CONTACT SEQUENCE

SEQUENCE	PIN NO.
1	a1, a2, a25, a26 b1, b2, b25, b26
2	a3~a24 b3~b24



3	PHOSPHOR BRONZE	TIN-PLATING	2	PHOSPHOR BRONZE	CONTACT AREA : GOLD 0.1μm min.		
1	POLYAMIDE	BEIGE UL94V-0			LEAD AREA : TIN-PLATING 1.2μm min.		
					UNDER PLATING : NICKEL 1μm min.		
NO.	MATERIAL	FINISH . REMARKS	NO.	MATERIAL	FINISH . REMARKS		
UNITS mm		SCALE 2 : 1	COUNT 	DESCRIPTION OF REVISIONS	DESIGNED	CHECKED	DATE
<b>HRS</b> HIROSE ELECTRIC CO., LTD.		APPROVED : HS. OKAWA	08.07.14	DRAWING NO.	EDC3-151419-21		
		CHECED : HT. YAMAGUCHI	08.07.14	PART NO.	FX5-52S2A-DSAL(71)		
		DESIGNED : SY. KAMIGA	08.07.11	CODE NO.	CL575-0126-2-71		
		DRAWN : HK. SUNADORI	08.06.19				