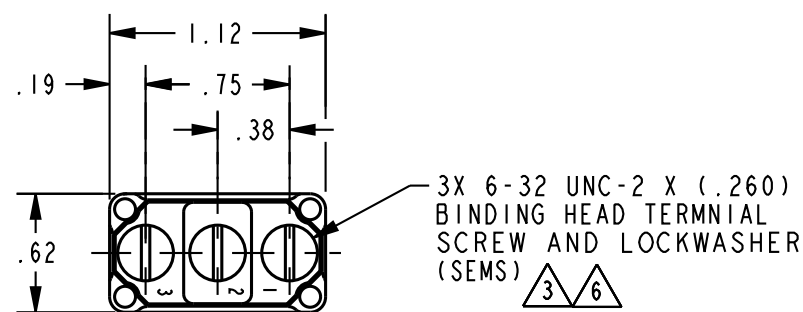
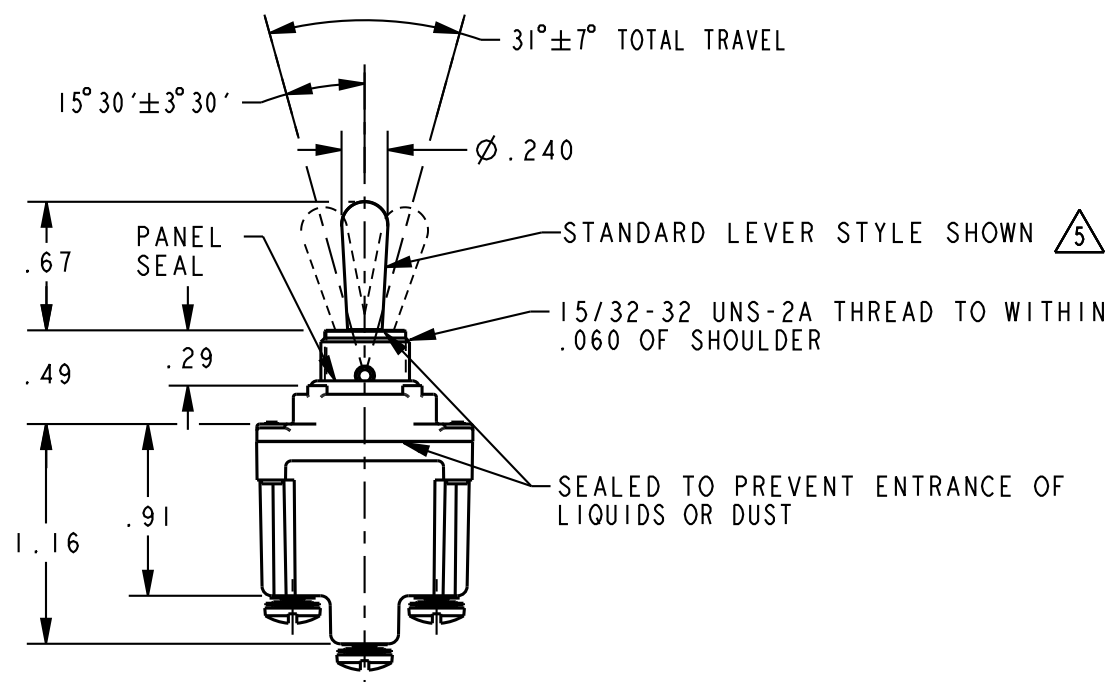
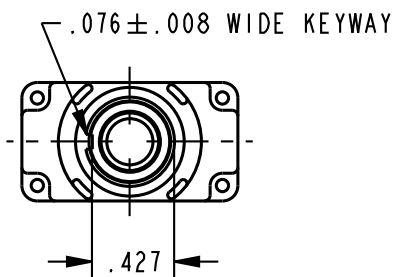


HONEYWELL  
PART NUMBER

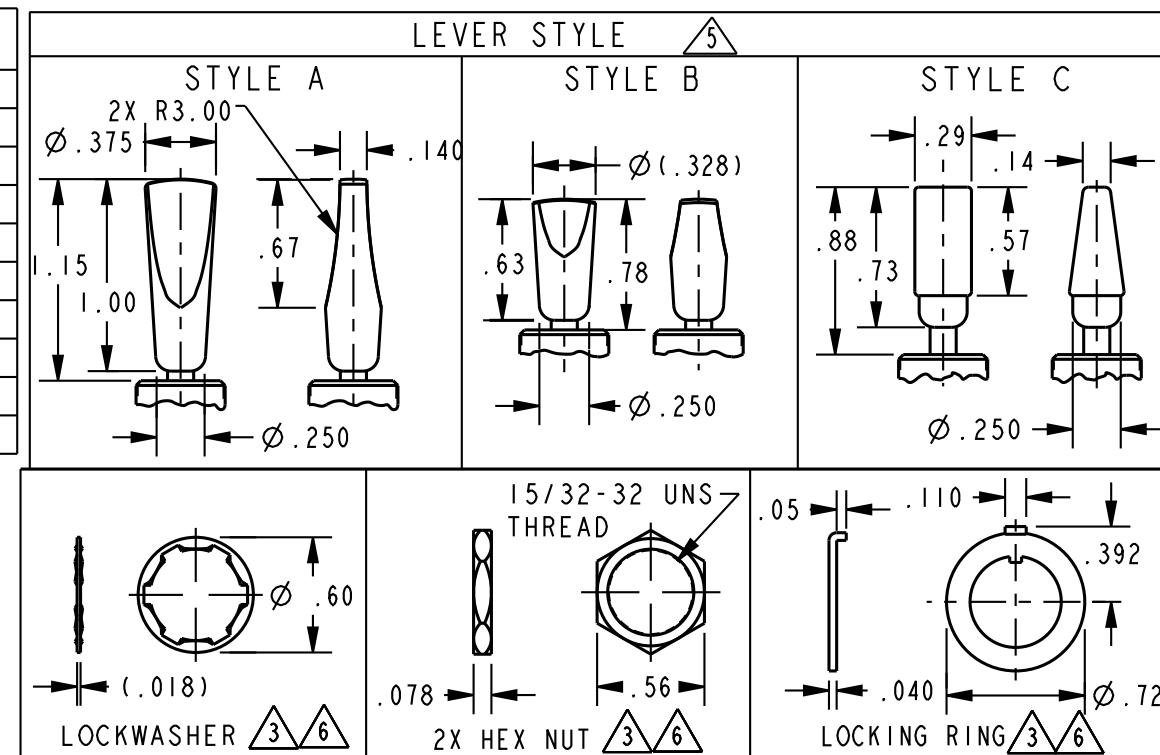
REV	DOCUMENT	CHANGED BY	CHECK
B	0123511	RH 28AUG15	CMH



CATALOG LISTING	CIRCUIT MADE WITH TOGGLE LEVER IN		
	KEYWAY SIDE (1-2)	CENTER (1-2)	OPPOSITE KEYWAY (2-3)
6INT887-1	ON	OFF	ON
6INT887-2	OFF	NONE	ON
6INT887-3	ON	NONE	ON
6INT887-21	NONE	OFF	ON
6INT887-31	NONE	ON	ON
6INT887-4	MOM OFF	NONE	ON
6INT887-5	MOM ON	OFF	ON
6INT887-6	MOM ON	NONE	OFF
6INT887-7	MOM ON	OFF	MOM ON
6INT887-8	MOM ON	NONE	ON
6INT887-51	NONE	ON	MOM ON
6INT887-61	MOM ON	OFF	NONE

ELECTRICAL DATA	
L191	15A 125, 250, 277 VAC 1/2HP 125 VAC 1HP 250, 277 VAC 5A 125 VAC "L"
L192	10A 125, 250, 277 VAC 1/4HP 125 VAC 1/2HP 250, 277 VAC 3A 125 VAC "L"

LEVER COLOR CODE	
COLOR IDENT	COLOR
01	WHITE
02	BLACK
03	BLUE
04	RED
05	GREEN
06	ORANGE
07	GRAY
08	YELLOW
09	LT BLUE



- NOTES
- SWITCHES ARE CAPABLE OF WITHSTANDING A TEMPERATURE OF 160°F CONTINUOUSLY AT FULL RATED LOAD
  - MICRO SWITCH CATALOG LISTING MARKED ON SIDE OF SWITCH FURNISHED UNASSEMBLED
  - APPLIES ONLY TO "ON" AND "MOMENTARY ON" POSITIONS
  - IF NON STANDARD LEVER IS DESIRED, SUFFIX MUST BE ADDED TO DENOTE LEVER STYLE AND COLOR (EXAMPLE: 6INT887-3-B02)
  - "NH" SUFFIX MUST BE ADDED TO SPECIFY NO HARDWARE (EXAMPLE: 6INT887-1-B02-NH)
  - GOLD PLATED CONTACTS

DESIGN UNITS: INCH	DRAWN	TSG	09 MAR 06
TOLERANCES UNLESS NOTED:	CHECK	-	-
NO PLACE X ± .030	THIS DRAWING COVERS A PROPRIETARY ITEM AND IS THE PROPERTY OF HONEYWELL. THIS DRAWING IS NOT TO BE COPIED OR USED WITHOUT THE PERMISSION OF HONEYWELL.		
ONE PLACE .X ± .015			
TWO PLACE .XX ± .005			
THREE PLACE .XXX ±			
FOUR PLACE .XXXX ±	INTERPRET PER ANSI Y14.5M-1982 OTHER HONEYWELL ENGINEERING STANDARDS MAY APPLY		
ANGLES X ±	Pro/ENGINEER 2D		
THIRD ANGLE PROJECTION	SCALE -		

**Honeywell**

TITLE: **SWITCH, TOGGLE**

SIZE	TYPE	DRAWING NAME	REV
<b>B</b>	<b>I</b>	<b>6INT887 SERIES CHART 1</b>	<b>B</b>
SHEET		1 OF 1	