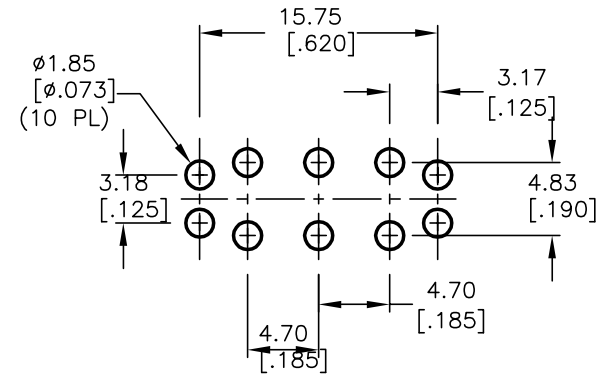
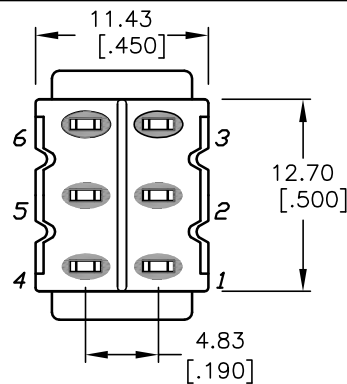
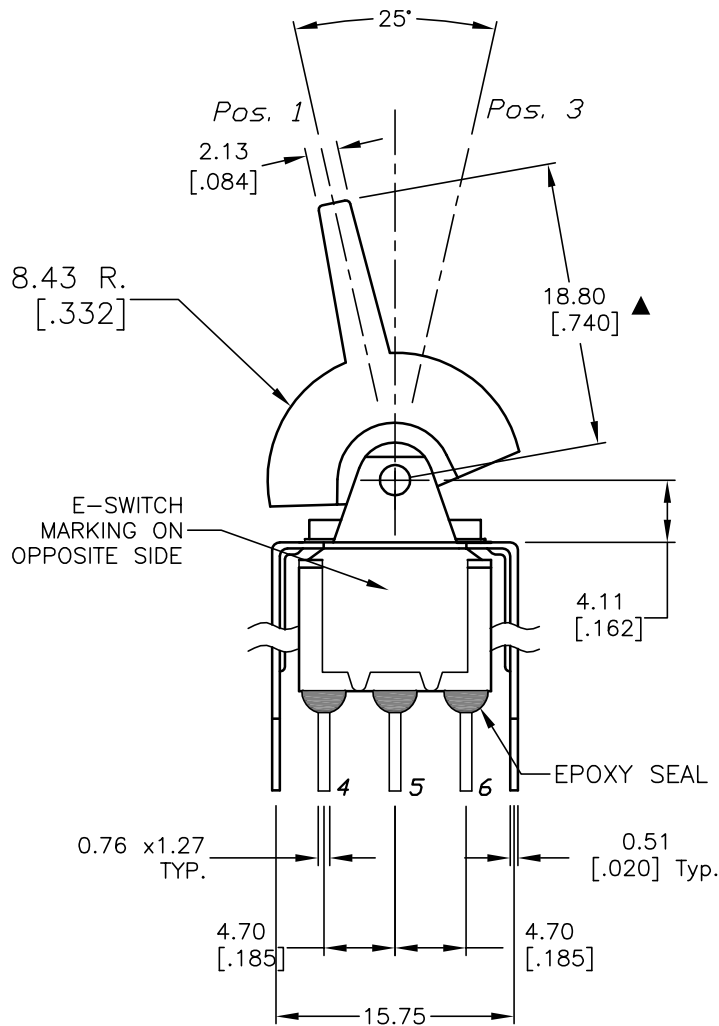


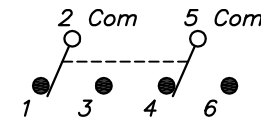
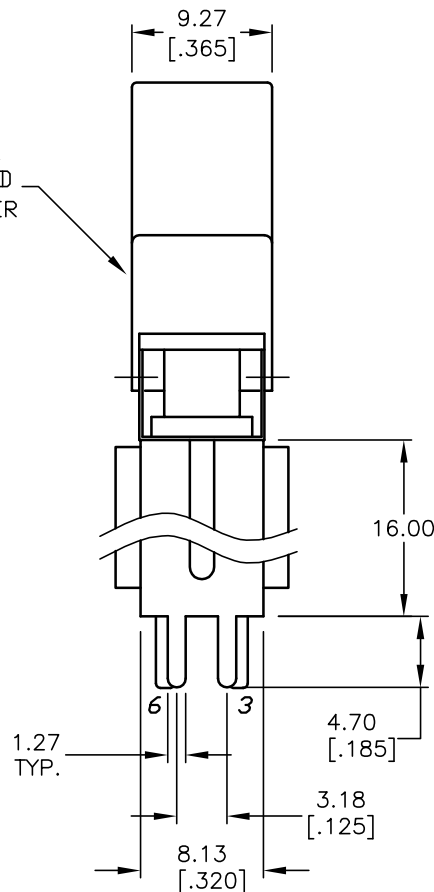
*BOTTOM VIEW
BRACKET CROPPED
FOR CLARITY*



RECOMMENDED PANEL MOUNTING



▲
RED
ROCKER



CIRCUIT: DPDT

| SWITCH FUNCTION | | |
|-----------------|--------|---------|
| POS. 1 | POS. 2 | POS. 3 |
| | | |
| ON | NONE | ON |
| 2-3,5-6 | OPEN | 2-1,5-4 |

NOTES:

1. ALL DIMENSIONS IN MM
2. GENERAL TOLERANCE: X.X=±0.4
X.XX=±0.25
3. TERM. NOS. FOR REF. ONLY
4. RATING: 0.4V @20V AC or DC max.
- ▲ 5. MATERIAL: FIXED TERMINAL & MOVING CONTACT
Copper Alloy w/GOLD Plate over
Nickle plate.
6. CONTACT RESISTANCE: 10mILLI Ohms max initial
@2-4VDC, 100mA for AG & AU
7. ELECTRICAL LIFE: 50,000 make-and-break
cycles at full load.
8. INSULATION RESISTANCE: 1,000M ohm min.
9. DIELECTRIC STRENGTH: 1000V RMS @sea level
10. OPERATING TEMP.: -30°C to 85°C

E-SWITCH®

TITLE

300DP1J2REDV3RE

| | | | | |
|------|---------|-------------------------|----------|------|
| A | 14412 | RELEASED FOR PRODUCTION | 10/18/04 | AR |
| REV. | ECN No. | DESCRIPTION | DATE | CHKD |

THE INFORMATION CONTAINED IN THIS DOCUMENT
IS PROPRIETARY TO E-SWITCH AND IS
NOT TO BE COPIED OR TRANSFERRED

SCALE

2:1

DATE

10/18/04

DR

AR

DWG

T321072

REV

A