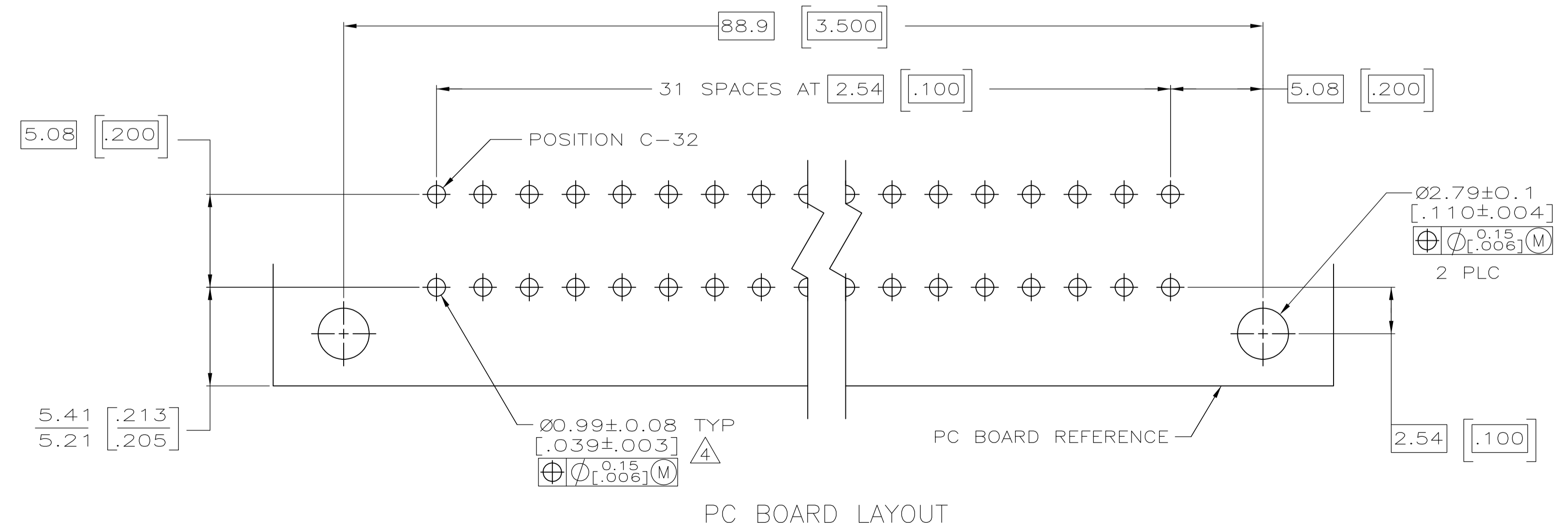
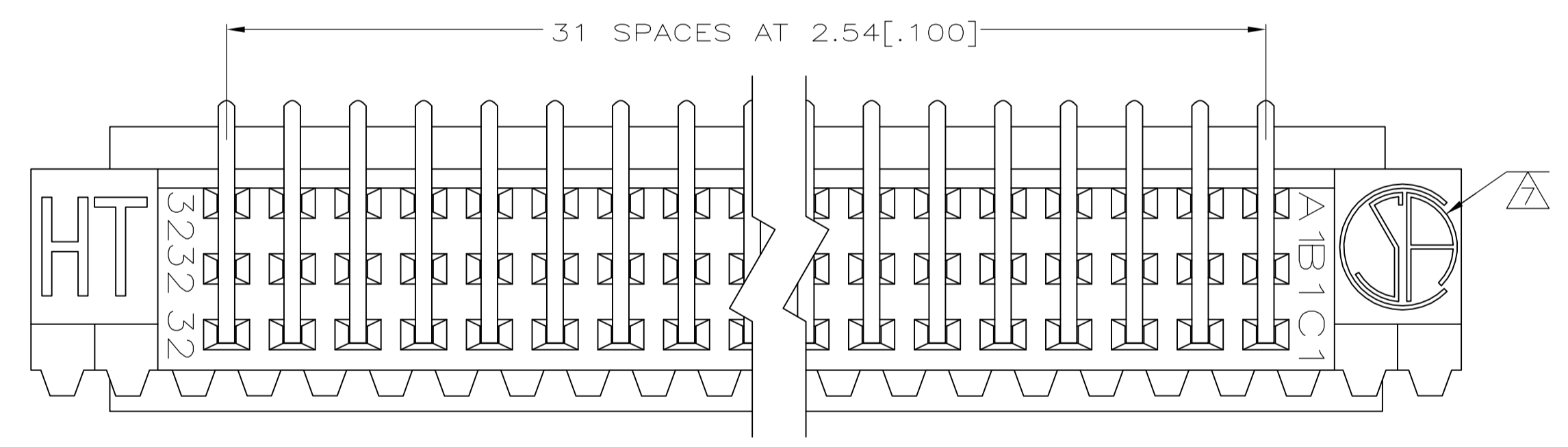
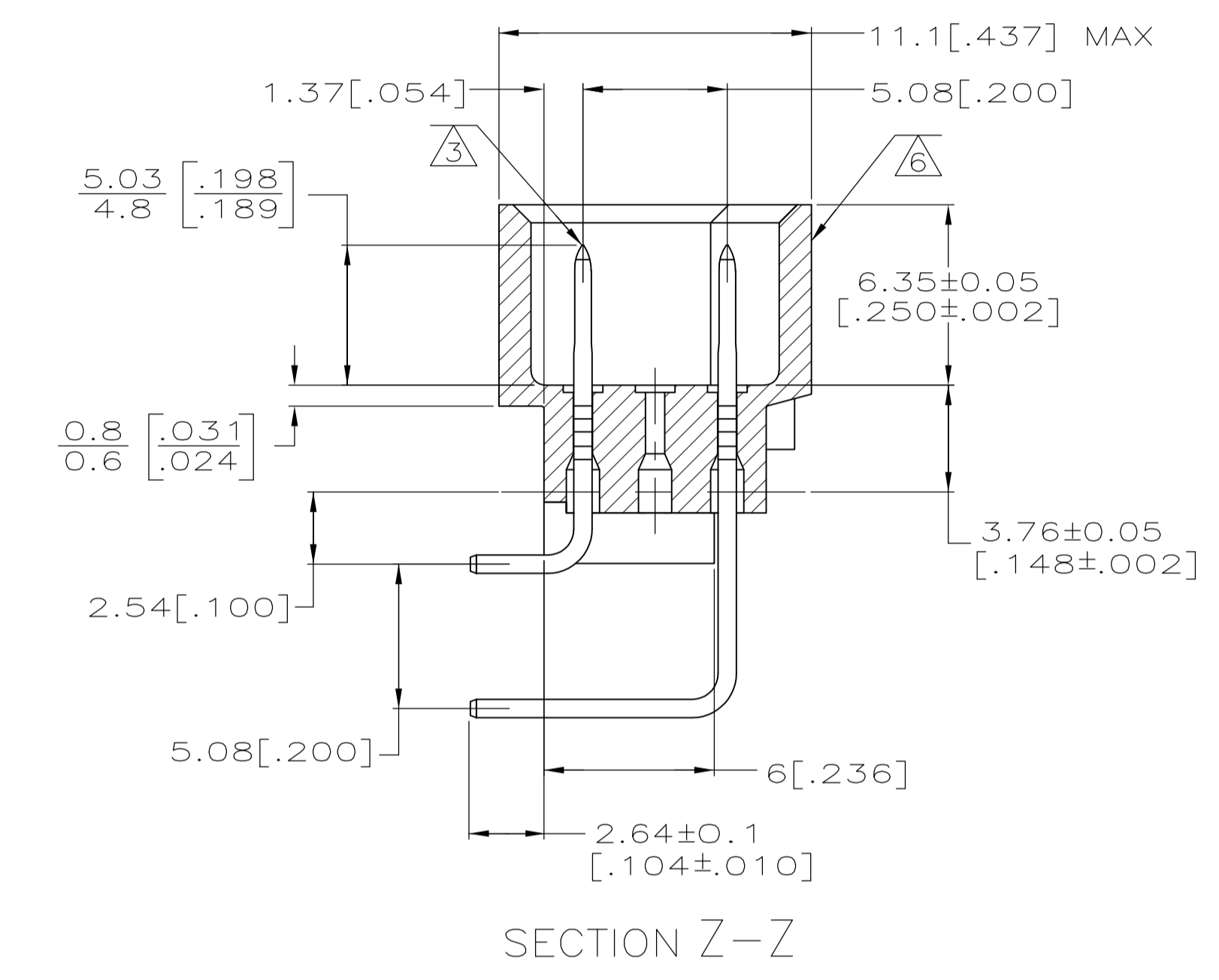
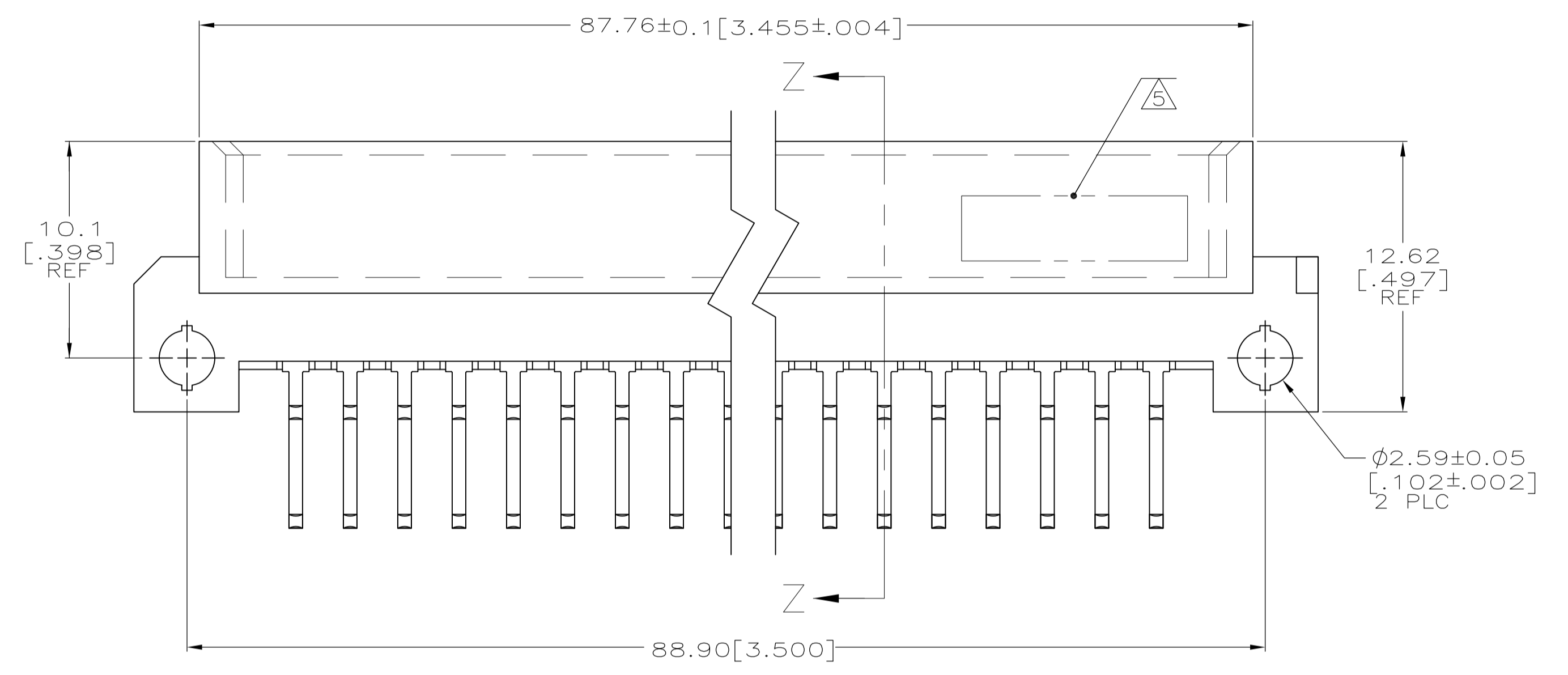
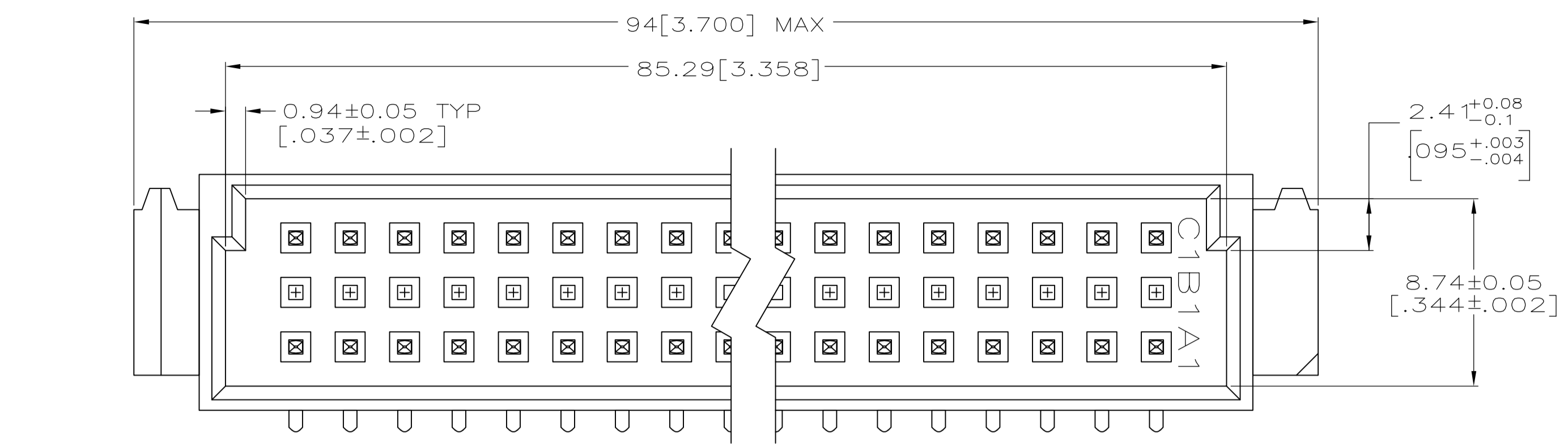


- ① HOUSING MATERIAL: GLASS-FILLED POLYMER.
- ② POST MATERIAL: COPPER ALLOY.
- ③ POST FINISH: DIN 41612 CLASS 2 IN CONTACT AREA. TIN PLATE ON POSTS.
- ④ RECOMMENDED HOLE SIZE FOR MANUAL APPLICATION OF CONNECTOR ONTO PC BOARD.
- ⑤ PART NUMBER, DATE CODE MARKED THIS APPROXIMATE AREA.
- ⑥ MARKING ON THIS SIDE.
- ⑦ CSA LOGO MOLDED IN THIS AREA.



1-32	X	-	X	64	5536011-5
POSITIONS LOADED	C	B	A	NO. OF LOADED POSITION	ASSY PART NUMBER

THIS DRAWING IS A CONTROLLED DOCUMENT.		DIN J. POLIGNONE DSMAYOS		Tyco Electronics Corporation	
DIMENSIONS: mm [INCHES]		TOLERANCES UNLESS OTHERWISE SPECIFIED:		Tyco Electronics Corporation	
0 PLC ± -		1 PLC ± -		Harrisburg, Pa 17105-3608	
1 PLC ± -		2 PLC ± -		NAME	
2 PLC ± -		3 PLC ± 0.13 [.005]		ASSEMBLY, PIN, EUROCARD, TYPE C,	
3 PLC ± -		4 PLC ± -		A and C, 64/96 POSITION,	
4 PLC ± -		ANGLES ± -		.104 SOLDER POST, REFLOW	
MATERIAL		FINISH		SIZE	
① ②		③		A1 00779 C=5536011	
CUSTOMER DRAWING		SCALE 5:1		SHEET 1 OF 1 REV 01	