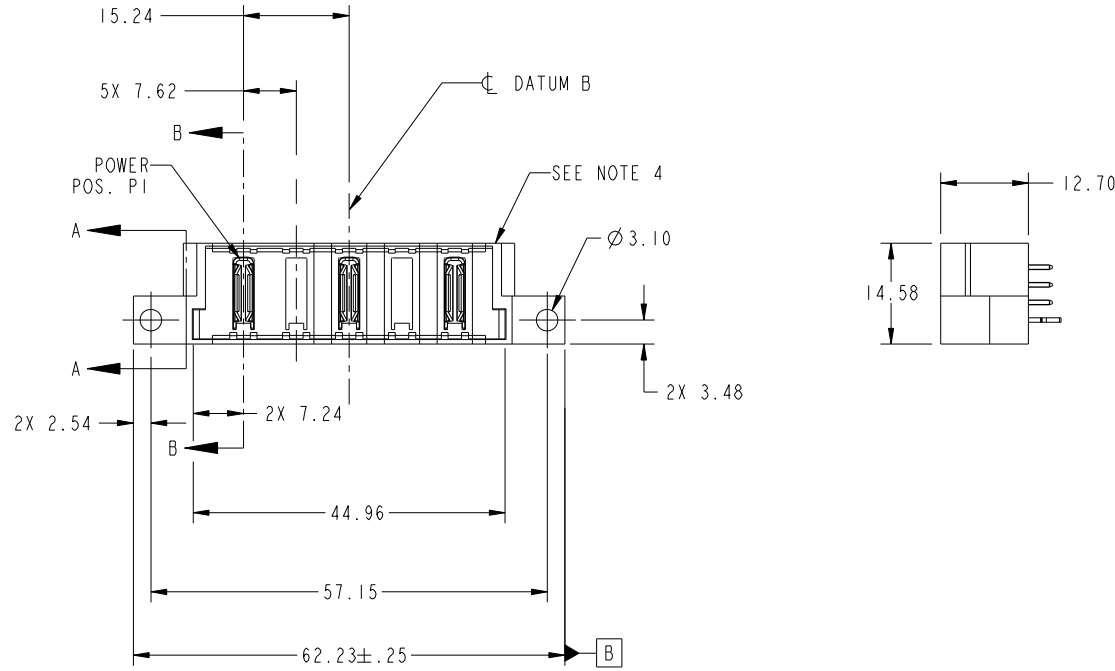


Tous droits strictement réservés. Reproduction ou communication a des tiers interdite sous quelque forme que ce soit sans autorisation écrite du propriétaire. Propriete de c FCI. Droits de reproduction FCI.



All rights strictly reserved. Reproduction or issue to third parties in any form whatever is not permitted without written authority from the proprietor. Property of FCI. Copyright FCI.

PRODUCT NO.	POWER						
	E1	P1	P2	P3	P4	P5	E2
51963-027	HA	PA	X	PA	X	PA	HA
Note: ③							



CODE	DIM "M" MATING LENGTH	CONTACT TYPE
HA	N/A	HOLD-DOWN
PA	N/A	POWER
X	OMITTED	

mat'l code				SEE NOTES		tolerances unless otherwise specified		CUSTOMER		FCI	
ltr	ecn no.	dr	date	linear	0.X ±0.5	COPY		www.fciconnect.com			
A	DG08-0163	SH	06/20/08	angles	0.XX ±0.25	projection	title				
					0.XXX ±0.1	MIM		5P			
				dr	0° ±2°	scale		Vertical Solder Header			
				enr	Sincere He 06/11/08	1:1		product family		PwrBlade	code
				chr	Sincere He 06/11/08			size		A	213
				appd	Gary Hsieh 06/11/08			dwg no		51963-027	sheet
					Joseph Hsia 06/11/08			1 of 4			1 of 4
sheet index	revision sheet	A	A	A	A						
		1	2	3	4						
								cage code		22526	

Pro/E

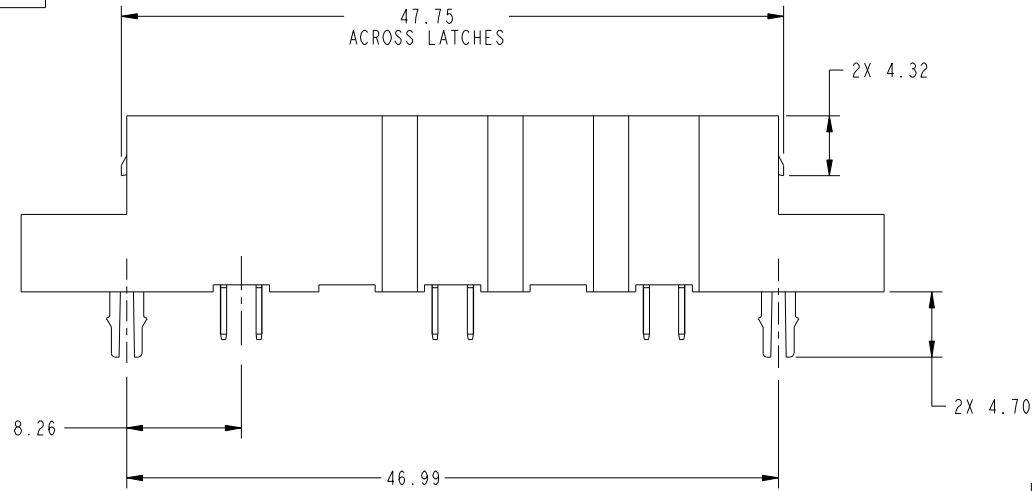
cage code 22526

Tous droits strictement reserves. Reproduction ou communication a des tiers interdite sous quelque forme que ce soit sans autorisation écrite du propriétaire. Propriete de c FCI. Droits de reproduction FCI.

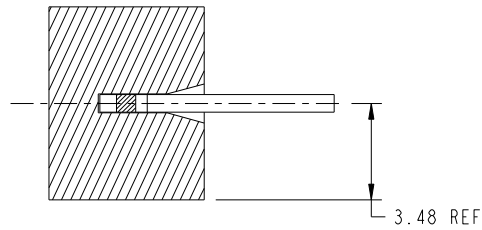


All rights strictly reserved. Reproduction or issue to third parties in any form whatever is not permitted without written authority from the proprietor. Property of FCI. Copyright FCI.

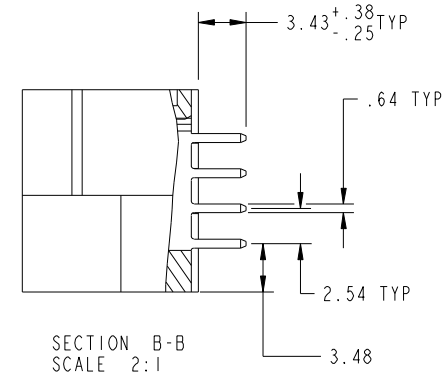
PRODUCT NUMBER
51963-027__
Note: (3)



SCALE 2:1



SECTION A-A
SCALE 4:1



SECTION B-B
SCALE 2:1

mat'l code		SEE NOTES		tolerances unless otherwise specified		CUSTOMER		 www.fciconnect.com	
ltr	ecn no.	dr	date	linear	0.X ± 0.5	COPY		title	
A					0.XX ± 0.25	projection		5P	
				angles	0.XXX ± 0.1			Vertical Solder Header	
				dr	0° ± 2°			product family PwrBlade code	
				enr	Sincere He 06/11/08	scale		213	
				chr	Sincere He 06/11/08	1:1		sheet	
				appd	Gary Hsieh 06/11/08			51963-027	
					Joseph Hsia 06/11/08			2 of 4	
sheet index	revision sheet								

cage code 22526

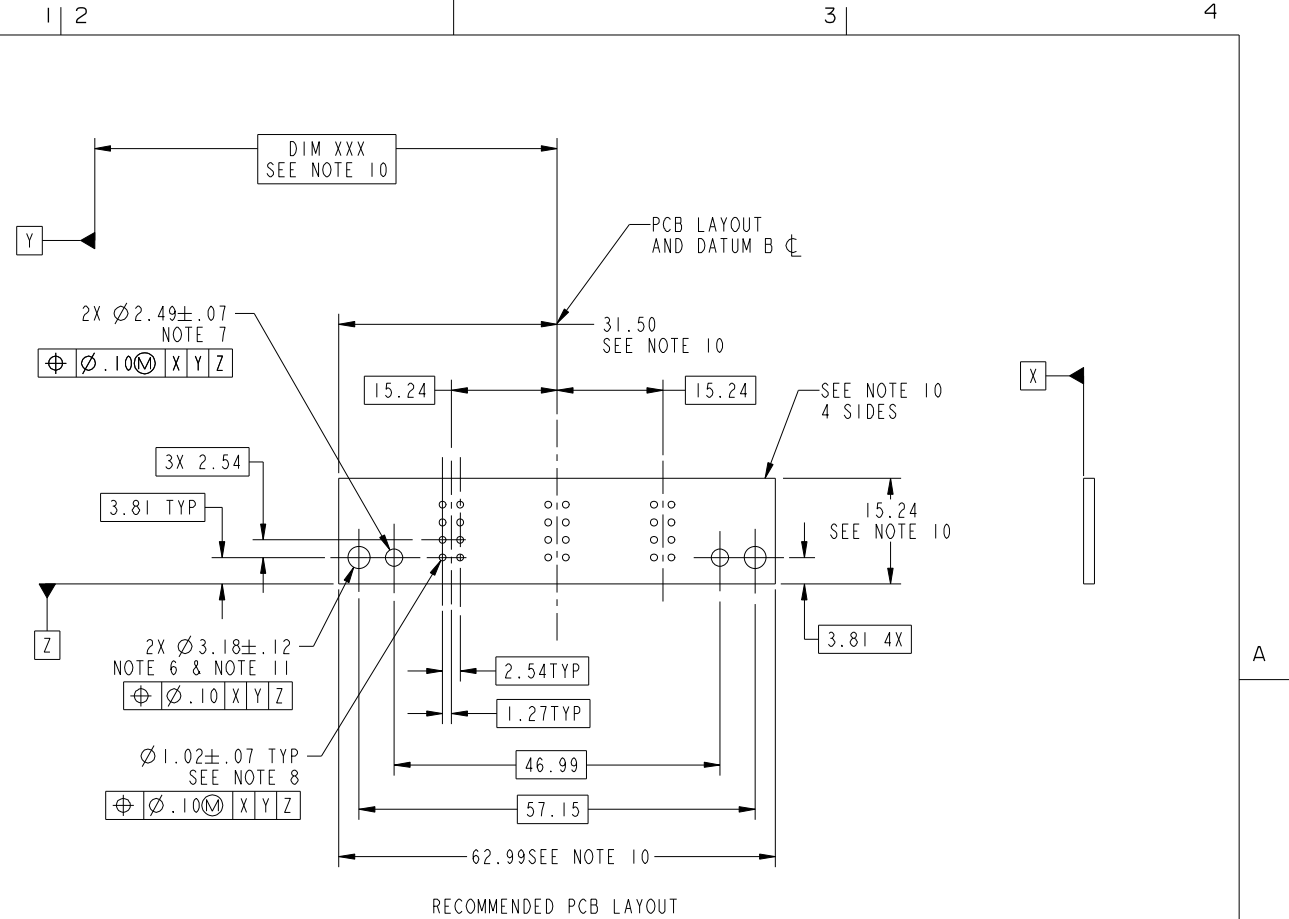
Pro/E

Tous droits strictement reserves. Reproduction ou communication a des tiers interdite sous quelque forme que ce soit sans autorisation écrite du propriétaire. Propriete de c FCI. Droits de reproduction FCI.



All rights strictly reserved. Reproduction or issue to third parties in any form whatever is not permitted without written authority from the proprietor. Property of FCI. Copyright FCI.

PRODUCT NUMBER
51963-027__
Note: ③



mat'l code				SEE NOTES		tolerances unless otherwise specified		CUSTOMER		FCI	
ltr	ecn no.	dr	date	linear	0.X ± 0.5	projection	1st angle	COPY		www.fciconnect.com	
A				angles	0.XX ± 0.25			title		5P	
				dr	0.XXX ± 0.1			product family		PwrBlade	
				enr	0° ± 2°			size	dwg no	213	
				chr				A	51963-027	sheet	
				appd				scale		3 of 4	
								1:1			
sheet index	revision sheet										

cage code 22526

Pro/E

Tous droits strictement reserves. Reproduction ou communication a des tiers interdite sous quelque forme que ce soit sans autorisation écrite du propriétaire. Propriete de c FCI. Droits de reproduction FCI.



All rights strictly reserved. Reproduction or issue to third parties in any form whatever is not permitted without written authority from the proprietor. Property of FCI. Copyright FCI.

PRODUCT NUMBER
51963-027
Note: ③

NOTES:

1. DIMENSIONS AND TOLERANCES ARE IN ACCORDANCE WITH ASME Y14.5M, 1994 UNLESS OTHERWISE SPECIFIED.

CONNECTOR NOTES:

- ② HOUSING MATERIAL: UL 94 V-0 GLASS FILLED HIGH-TEMP THERMOPLASTIC
POWER CONTACT MATERIAL: COPPER ALLOY
SIGNAL PIN MATERIAL: COPPER ALLOY
 - 3. PLATING:
51963-027, 51963-027LF, PLATING SPEC. SEE PRINT: 10064183
 - ④ NEED TYCO TRADE NAME "AMP", TYCO P/N, FCI DATE CODE TO APPEAR ON THE HOUSING SURFACE.
 - 5. PACKAGED IN TRAYS.
- PCB NOTES:
- 6. ALL HOLE DIAMETERS ARE FINISHED HOLE SIZE.
 - 7. MOUNTING HOLES, WHERE APPLICABLE, ARE UNPLATED.

- ⑧ $\varnothing .0453 \pm .0010$ [1.151 ± 0.025] DRILLED HOLES PLATED WITH
.0003 [0.008] MIN SnPb OVER .001 [0.03]
TO .003 [0.08] Cu PLATING TO ACHIEVE
 $\varnothing .040 \pm .003$ [$1.02 \pm .07$] HOLE.
- ⑨ "DIM XXX" TO BE DETERMINED BY THE CUSTOMER.)
- ⑩ CONNECTOR KEEP-OUT ZONE.
- 11. FOR PRESS FIT APPLICATION USE FCI CAM
TOOL 430169-018.
- 12. CUSTOMER SUPPLIES (2) #4-40 UNC SCREWS,
HARDWARE TO MOUNT HEADER TO PC BOARD.

mat'l code				SEE NOTES		tolerances unless otherwise specified		CUSTOMER		FCI	
ltr	ecn no.	dr	date	linear		0.X ± 0.5	COPY		www.fciconnect.com		
A						0.XX ± 0.25	projection		title		
				angles		0.XXX ± 0.1			5P Vertical Solder Header		
				dr	Sincere He	06/11/08			product family		code
				enrg	Sincere He	06/11/08			PwrBlade		213
				chr	Gary Hsieh	06/11/08	scale		size		sheet
				appd	Joseph Hsia	06/11/08	1:1		A		4 of 4
sheet index		revision sheet									

cage code 22526

Pro/E