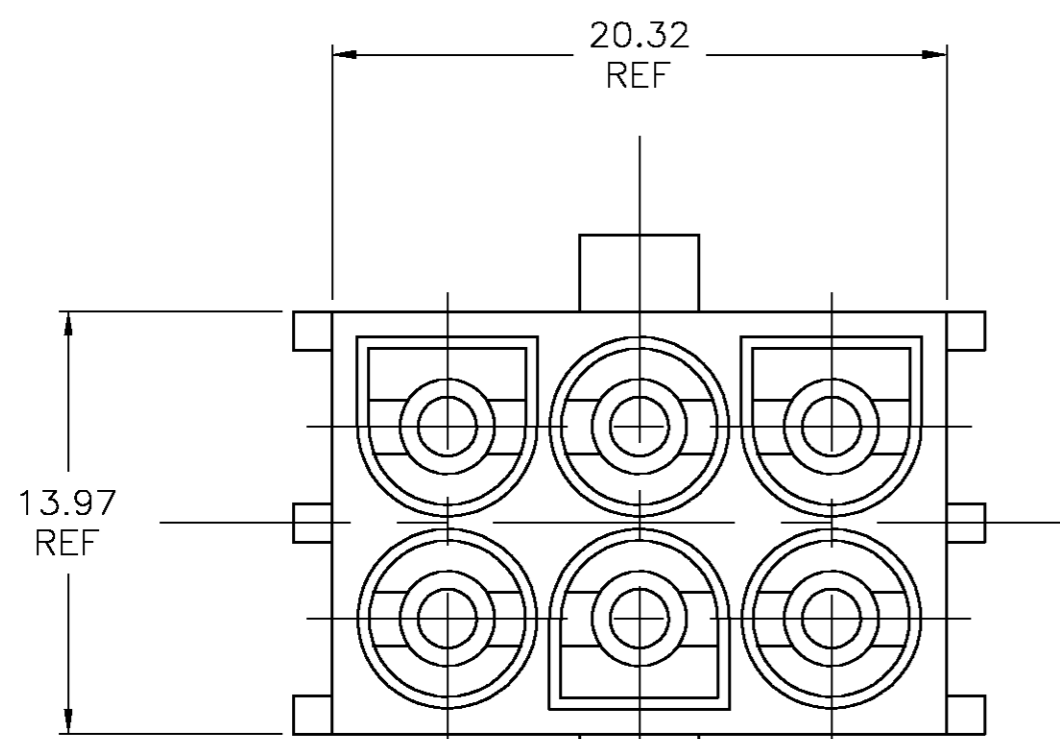


THIS DRAWING IS UNPUBLISHED. RELEASED FOR PUBLICATION
 © COPYRIGHT BY TYCO ELECTRONICS CORPORATION. ALL RIGHTS RESERVED.

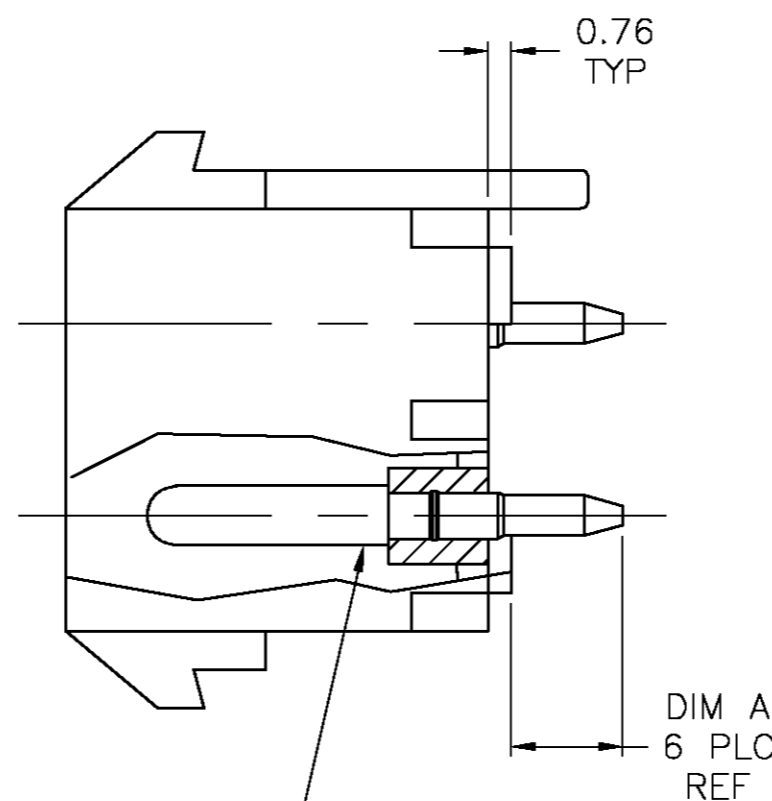
LOC	DIST	REVISIONS					
FT	0	P	LTR	DESCRIPTION	DATE	DWN	APVD
		C		REVISED PER 0G3B-0699-03	9/22/03	SS	GS

NOTES:

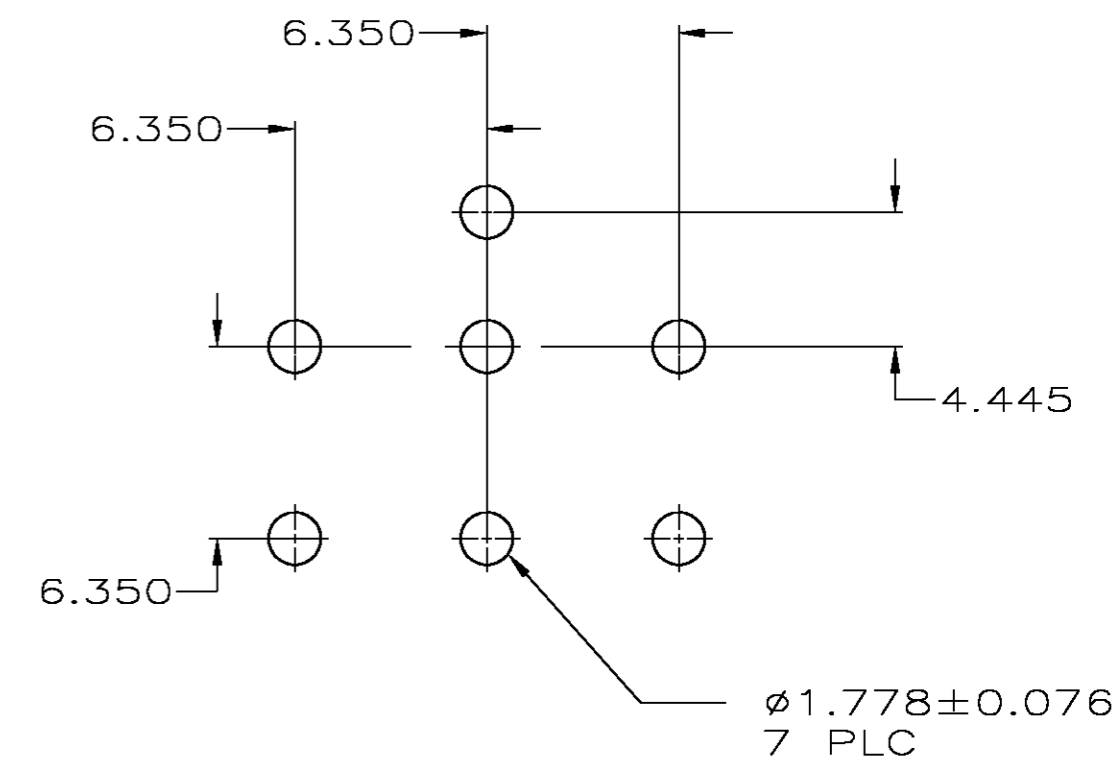
- MATES WITH MATE-N-LOK II PLUG CONNECTOR USING PN 194211-1 OR 194213-1 SOCKET CONTACTS.
 - PIN CONTACTS ARE LUBRICATED.
 - ALL DIMENSIONS ARE REFERENCE ONLY EXCEPT PC LAYOUT.
- ⚠ PRELIMINARY PART NUMBER.



HOUSING
 MAT'L: NYLON 94V-0



CONTACT
 MAT'L: COPPER ALLOY
 FINISH: 5.8um MIN SILVER
 OVER 1.01um MIN NICKEL



RECOMMENDED LAYOUT FOR
 1.57 THICK PC BOARD

⚠	4.32	194260-2
	3.68	194260-1
	DIM A	PART NO.

THIS DRAWING IS A CONTROLLED DOCUMENT.		DWN R N POLK	04/AUG/97	Tyco Electronics Corporation Harrisburg, PA 17105	
DIMENSIONS: MM		CHK		NAME	
		APVD		HIGH CURRENT VERT. PIN HEADER ASSY. MATE-N-LOK II, 6 CIRCUIT, LUBRICATED	
TOLERANCES UNLESS OTHERWISE SPECIFIED:		PRODUCT SPEC		SIZE	CAGE CODE
0 PLC	± -	APPLICATION SPEC		A2	00779
1 PLC	± -			DRAWING NO	
2 PLC	± -			C=194260	
3 PLC	± -			RESTRICTED TO	
4 PLC	± -				
ANGLES	± -	WEIGHT		SCALE	SHEET
FINISH				4:1	1 OF 1
		CUSTOMER DRAWING		REV	C