

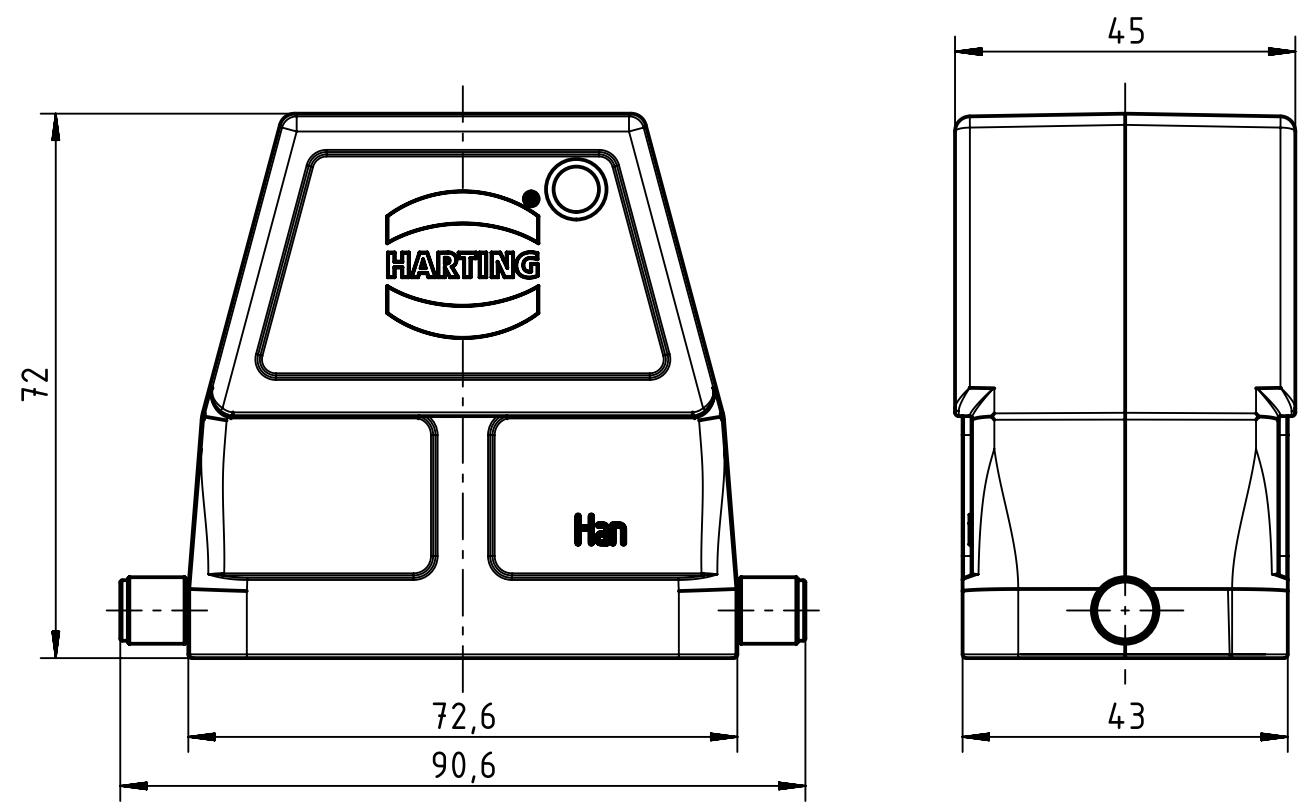
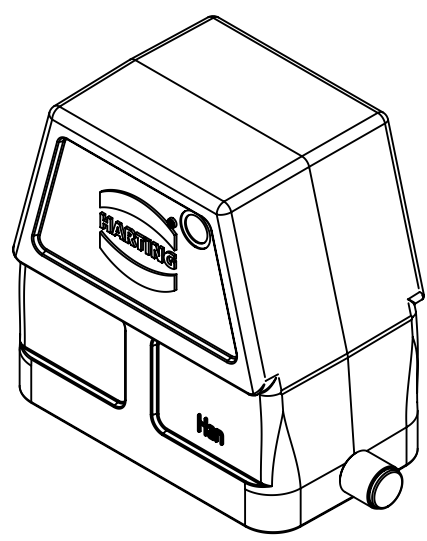
1 2 3 4 5 6

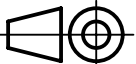

A

B

C

D



 All Dimensions in mm Original Size DIN A4	Scale 1:1		Free size tol.		Ref.	
					Sub. TB 09 30 010 0803 v. 23.08.00	
 All rights reserved Department EL PD - DE	Created by	Inspected by	Standardisation	Date	State	
	SCHULZI	BERGHORN	TIEMANNA	2014-07-21	Final Release	
Title Han 10B-GG-R				Doc-Key / ECM-Nr. 100227408/UGD/002/B 500000061817		
HARTING Electric GmbH & Co. KG D-32339 Espelkamp		Type TB	Number 09 30 010 0803		Rev. B	Page 1/1