

**PLEASE CHECK WWW.MOLEX.COM FOR LATEST PART INFORMATION**

**Part Number:** [19019-0080](#)  
**Status:** **Active**  
**Description:** Avikrimp™ Quick Disconnect, Female, for 14-16 (2.00-1.30mm<sup>2</sup>) Wire, Metal Strip, Tab 4.75 x 0.81mm

**Documents:**

[Drawing \(PDF\)](#) [Product Specification PS-19902-014 \(PDF\)](#)  
[Product Specification PS-19902-011 \(PDF\)](#) [RoHS Certificate of Compliance \(PDF\)](#)

**Agency Certification**

CSA LR18689  
 UL E79133

**General**

Product Family Quick Disconnects  
 Series [19019](#)  
 Crimp Quality Equipment Yes  
 Product Name Avikrimp™  
 Type Quick Disconnect  
 UPC 800753038837

**Physical**

Barrel Type Closed  
 Flammability 94V-2  
 Gender Female  
 Glow-Wire Compliant No  
 Insulation Nylon (PA)  
 Lock to Mating Part None  
 Material - Metal Brass  
 Net Weight 0.800/g  
 Orientation Straight  
 Packaging Type Reel  
 Polarized to Mating Part No  
 Tab Thickness 0.81mm  
 Tab Width 4.75mm  
 Temperature Range - Operating -65°C to +105°C  
 Wire Insulation Diameter 3.50mm max.  
 Wire Size AWG 14, 16  
 Wire Size mm<sup>2</sup> 1.30 - 2.00

**Electrical**

Voltage - Maximum 300V

**Material Info**

Old Part Number BBZ-8138-032

**Reference - Drawing Numbers**

Product Specification PS-19902-011, PS-19902-014  
 Sales Drawing SD-19019-001

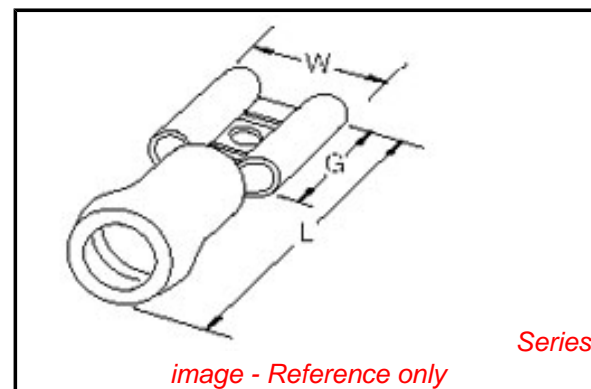


image - Reference only

**EU RoHS**

**ELV and RoHS Compliant**

**REACH SVHC**

Not Reviewed

**Low-Halogen Status**

Not Reviewed

**China RoHS**



**Need more information on product environmental compliance?**

Email [productcompliance@molex.com](mailto:productcompliance@molex.com)  
 For a multiple part number RoHS Certificate of Compliance, [click here](#)

Please visit the [Contact Us](#) section for any non-product compliance questions.

**Search Parts in this Series**

19019Series

**Application Tooling | FAQ**

*Tooling specifications and manuals are found by selecting the products below. Crimp Height Specifications are then contained in the Application Tooling Specification document.*

**Global**

Description	Product #
ASP Tool Kit, Perishable, Used in an ASP-200 Press that Processes Metal Strip Product	<a href="#">0192870088</a>
Mini-Mac™ Applicator	<a href="#">0638810900</a>