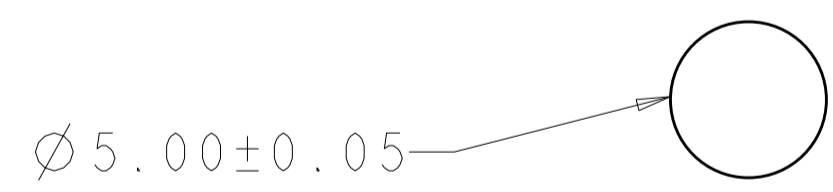
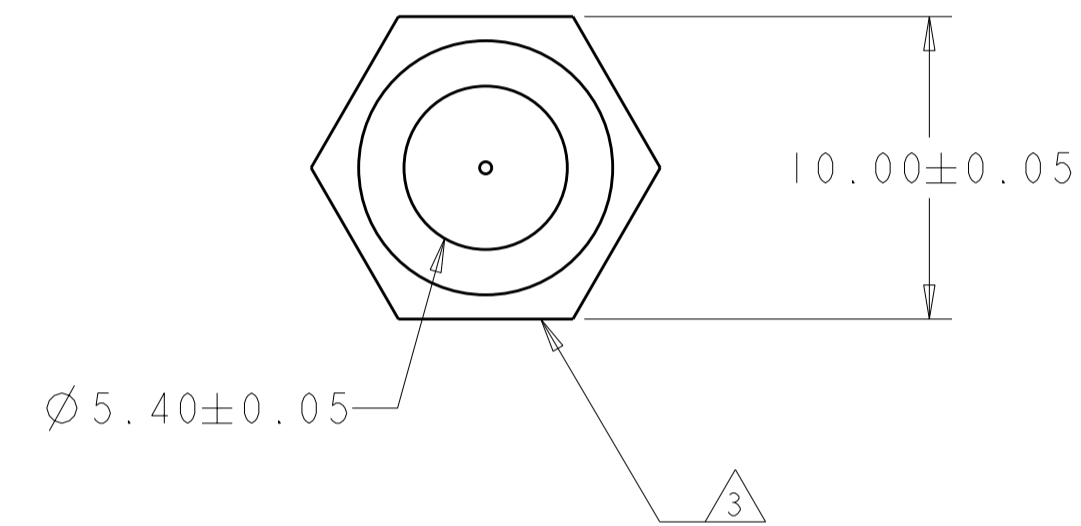
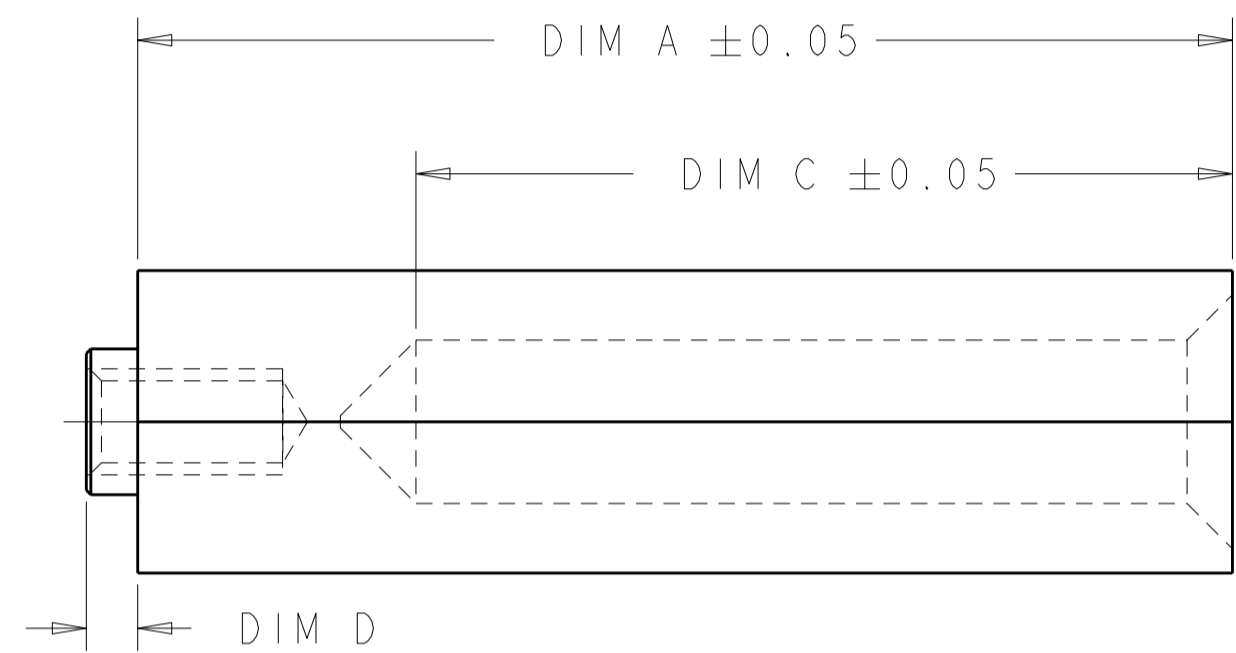
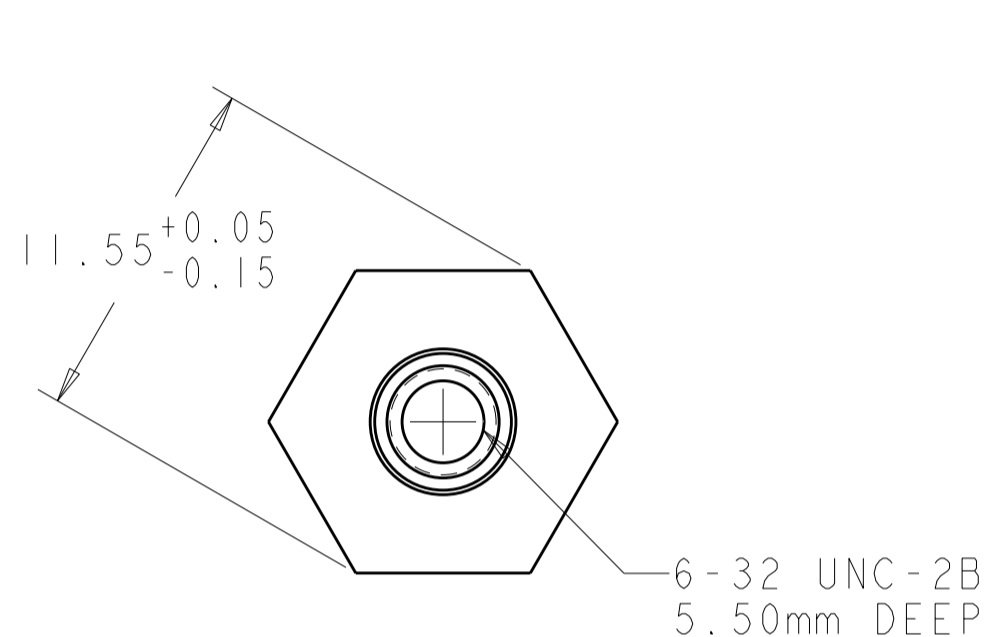


THIS DRAWING IS UNPUBLISHED. RELEASED FOR PUBLICATION 20  
 © COPYRIGHT 20 BY TYCO ELECTRONICS CORPORATION. ALL RIGHTS RESERVED.

SCALE 4:1

| LOC | DIST | REVISIONS |     |   |           |      |      |
|-----|------|-----------|-----|---|-----------|------|------|
| AG  | 00   | P         | LTR | DESCRIPTION                               | DATE      | DWN  | APVD |
|     |      | 2         |     | Modified DIA to M6 Hex. Customer Request. | 19JAN2010 | D.YI | D.YI |
|     |      | 3         |     | CHANGED TOLERANCE ON DIMENSION LOC: C4    | 10AUG2010 | DH   | DY   |
|     |      | A         |     | REVISED PER ECO-10-016889                 | 02SEP2010 | DH   | DY   |

- 1 MATERIAL: ZINC ALLOY DIE CASTING.
- 2 FINISH: CHROMATE CONVERSION COATING. (ROHS COMPATIBLE).
- 3 M6 HEX NUT SIZE  
USE 10MM SOCKET OR WRENCH FOR FIXTURING



RECOMMENDED P.C. BOARD LAYOUT

|       |       |       |             |
|-------|-------|-------|-------------|
| 2.20  | 27.0  | 36.2  | 1645546-6   |
| 1.70  | 30.0  | 39.2  | 1645546-5   |
| 1.70  | 18.0  | 27.2  | 1645546-4   |
| 1.70  | 6.0   | 15.2  | 1645546-3   |
| 1.70  | 3.0   | 12.2  | 1645546-2   |
| 1.70  | 27.0  | 36.2  | 1645546-1   |
| DIM D | DIM C | DIM A | Part Number |

|  |  |                           |   |                         |
|--|--|---------------------------|---|-------------------------|
| THIS DRAWING IS A CONTROLLED DOCUMENT FOR TYCO ELECTRONICS CORPORATION<br>IT IS SUBJECT TO CHANGE AND THE CONTROLLING ENGINEERING ORGANIZATION<br>SHOULD BE CONTACTED FOR THE LATEST REVISION. |  | DWN<br>D.YI<br>02-Sep-10  | Tyco Electronics<br>Harrisburg, PA 17105-3608             |                         |
| DIMENSIONS:<br>mm  |  | CHK<br>D.YI<br>06 JAN 10  | NAME<br>MODULE, VERTICAL FEMALE<br>UNIVERSAL POWER MODULE |                         |
| TOLERANCES UNLESS OTHERWISE SPECIFIED:<br>0 PLC ±-<br>1 PLC ±-<br>2 PLC ±-<br>3 PLC ±0.013<br>4 PLC ±-<br>ANGLES ±30°<br>FINISH  |  | APVD<br>D.YI<br>06 JAN 10 | RESTRICTED TO<br>-  |                         |
| MATERIAL   |  | PRODUCT SPEC<br>-         | SIZE<br>A200779   | DRAWING NO<br>C-1645546 |
| 1  |  | APPLICATION SPEC<br>-     | SCALE 3:1 SHEET 1 OF 1 REV A                              |                         |
| 2  |  | WEIGHT<br>-               | CUSTOMER DRAWING  |                         |