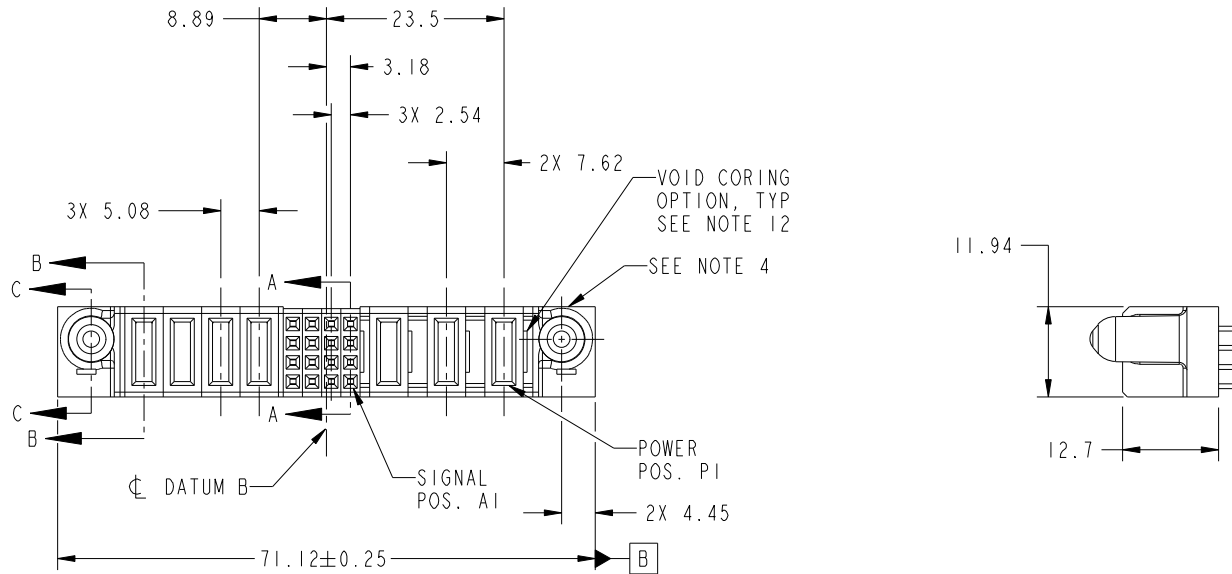


Tous droits strictement réservés. Reproduction ou communication a des tiers interdite sous quelque forme que ce soit sans autorisation écrite du propriétaire. Propriété de c.FCI. Droits de reproduction FCI.

All rights strictly reserved. Reproduction or issue to third parties in any form whatever is not permitted without written authority from the proprietor. Property of FCI. Copyright FCI.



PRODUCT NO.	ROWS	POWER				SIGNAL				POWER			E1	
		E2	P7	P6	P5	P4	4	3	2	1	P3	P2		P1
51940-258-- NOTE: 3	D C B A		PA	PD	PA	PD	EEEE	EEEE	EEEE	EEEE	PA	PD	PA	



CODE	DIM "M" MATING LENGTH	CONTACT TYPE
E	[N/A]	SIGNAL
PA	[1.07]	POWER
PD	[2.34]	POWER

mat'l code				SEE NOTES		tolerances unless otherwise specified		CUSTOMER		 www.fciconnect.com	
lir	ecn no.	dr	date	linear	0.X ±0.5	COPY		projection		title	
A	DG08-0195	W D	07/29/08	angles	0.XX ±0.25	MM				3ACP + 16S + 4P VERTICAL SOLDER RECEPT	
					0.XXX ±0.1	dr		product family		code	
					0° ±2°	enr		PwrBlade		213	
						chr		size		sheet	
						appd		A		1 of 4	
						scale		51940-258			
sheet index	revision sheet	A	A	A	A	1:1					
		1	2	3	4						

A

B

A

B

1 | 2

Pro/E

PDM: Rev: A

STATUS: Released

Printed: Dec 20, 2010

cage code 28556

4

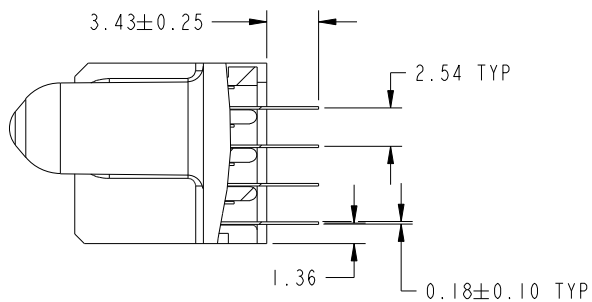
Tous droits strictement reserves. Reproduction ou communication a des tiers interdite sous quelque forme que ce soit sans autorisation ecrite du proprietaire. Propriete de c FCI. Droits de reproduction FCI.

All rights strictly reserved. Reproduction or issue to third parties in any form whatever is not permitted without written authority from the proprietor. Property of FCI. Copyright FCI.

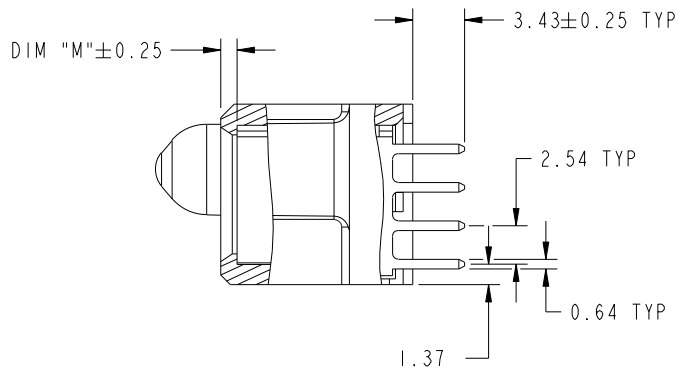


PRODUCT NUMBER

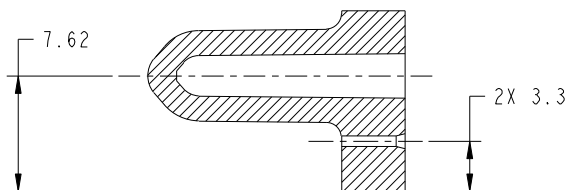
51940-258__
NOTE: 3



SECTION A-A
SCALE 2:1



SECTION B-B
SCALE 2:1



SECTION C-C
SCALE 2:1

mat'l code				tolerances unless otherwise specified		CUSTOMER		 www.fciconnect.com	
lfr	ecn no.	dr	date	linear	0.X ±0.5	COPY		title 3ACP + 16S + 4P VERTICAL SOLDER RECEPT	
A					0.XX ±0.25	projection			
					0.XXX ±0.1				
				angles	0° ±2°	 MM		product family PwrBlade code	
				dr	Warren Du 07/10/08	scale		size	dwg no
				enr	Jerome Chen 07/10/08	1:1		A	51940-258
				chr	Gary Hsieh 07/10/08			213	
				appd	Joseph Hsia 07/10/08			sheet	
sheet index		revision sheet						2 of 4	

cage code 2256

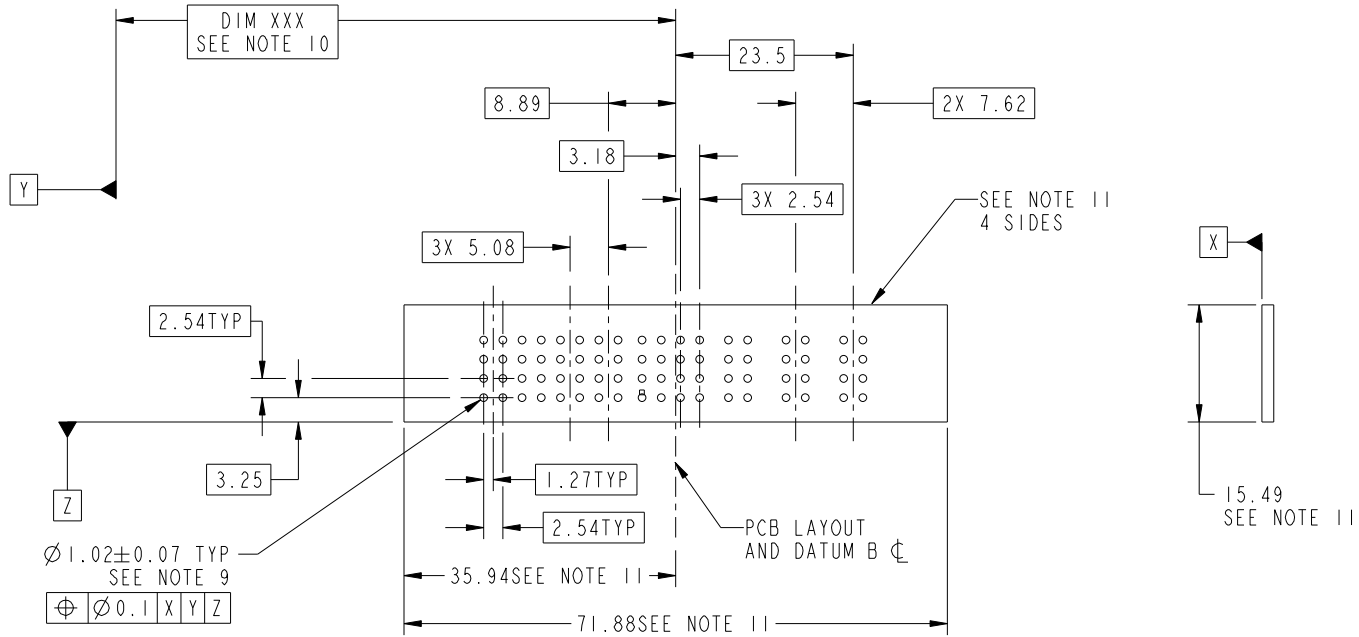
Tous droits strictement reserves. Reproduction ou communication a des tiers interdite sous quelque forme que ce soit sans autorisation ecrite du proprietaire. Propriete de c.FCI. Droits de reproduction FCI.

All rights strictly reserved. Reproduction or issue to third parties in any form whatever is not permitted without written authority from the proprietor. Property of FCI. Copyright FCI.



PRODUCT NUMBER

51940-258__
NOTE: 3



mat'l code				tolerances unless otherwise specified		CUSTOMER		 www.fciconnect.com				
lir	ecn no.	dr	date	linear	0.X ±0.5	projection		title				
A					0.XX ±0.25			3ACP + 16S + 4P		code		
					0.XXX ±0.1			VERTICAL SOLDER RECEPT		213		
				angles	0° ±2°	 MM 1:1		product family		code		
				dr	Warren Du 07/10/08			PwrBlade			sheet	
				engr	Jerome Chen 07/10/08			size	dwg no			3 of 4
				chr	Gary Hsieh 07/10/08			A	51940-258			
				appd	Joseph Hsia 07/10/08							
sheet index	revision sheet											

1 | 2

3

4

A

A

B

B

1 | 2

Pro/E

PDM: Rev: A

STATUS: Released

Printed: Dec 20, 2010

cage code 2256

4

Tous droits strictement reserves. Reproduction ou communication a des tiers interdite sous quelque forme que ce soit sans autorisation ecrite du proprietaire. Propriete de c.FCI. Droits de reproduction FCI.

All rights strictly reserved. Reproduction or issue to third parties in any form whatever is not permitted without written authority from the proprietor. Property of FCI. Copyright FCI.



1 | 2

3

4

PRODUCT NUMBER

51940-258__
NOTE: 3

NOTES:

1. DIMENSIONS AND TOLERANCES ARE IN ACCORDANCE WITH ASME Y14.5M, 1994 UNLESS OTHERWISE SPECIFIED.

CONNECTOR NOTES:

- ② HOUSING MATERIAL: UL 94 V-0 GLASS FILLED HIGH-TEMP THERMOPLASTIC
POWER CONTACT MATERIAL: COPPER ALLOY
SIGNAL PIN MATERIAL: COPPER ALLOY
- 3. PLATING SPEC.
51940-258, 51940-258LF PLATING SPEC. WAS SHOWN IN THE PRINT OF 10064183.
- ④ MANUFACTURER'S NAME, P/N, AND DATE CODE TO APPEAR ON THIS SURFACE.
- 5. PRODUCT SPECIFICATION GS-12-149.
APPLICATION SPECIFICATION BUS-20-067.
- 6. PACKAGED IN TRAYS.

PCB NOTES:

- 7. ALL HOLE DIAMETERS ARE FINISHED HOLE SIZE.
- ⑧ MOUNTING HOLES, WHERE APPLICABLE, ARE UNPLATED.
- ⑨ $\varnothing 1.151 \pm 0.025$ DRILLED HOLES PLATED WITH
0.008 MIN SnPb OR Sn OVER 0.03
TO 0.08 Cu PLATING TO ACHIEVE
 $\varnothing 1.02 \pm 0.07$ HOLE.
- ⑩ "DIM XXX" TO BE DETERMINED BY THE CUSTOMER.
- ⑪ CONNECTOR KEEP-OUT ZONE.
- 12. THE VOID CORING IN BETWEEN POWER MODULES, SIGNAL MODULES AND END MODULES ARE OPTIONAL AND THE SHAPE MAY BE DIFFERENT FOR OPTIMIZE THE MOLDING PROCESS. THE VOID CORING WILL NOT EFFECT TO PRODUCT FUNCTION.

mat'l code				tolerances unless otherwise specified		CUSTOMER		 www.fciconnect.com		
lfr	ecn no.	dr	date	linear	0.X ± 0.5		COPY			
A					0.XX ± 0.25		projection			
					0.XXX ± 0.1					
				angles	0° ± 2°					
		dr	Warren Du	07/10/08	 MM		product family		code	
		enrg	Jerome Chen	07/10/08			PwrBlade		213	
		chr	Gary Hsieh	07/10/08			size		sheet	
		appd	Joseph Hsia	07/10/08			A		4 of 4	
sheet index		revision sheet		scale		1:1		product family PwrBlade size dwg no A 51940-258		

1 | 2

Pro/E

PDM: Rev: A

STAT: Released

Printed: Dec 20, 2010

cage code 2256

4