

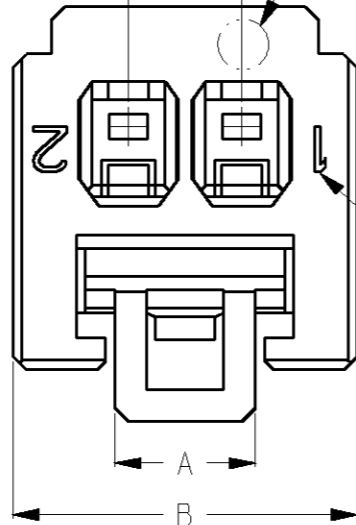
LOC
J

DIST

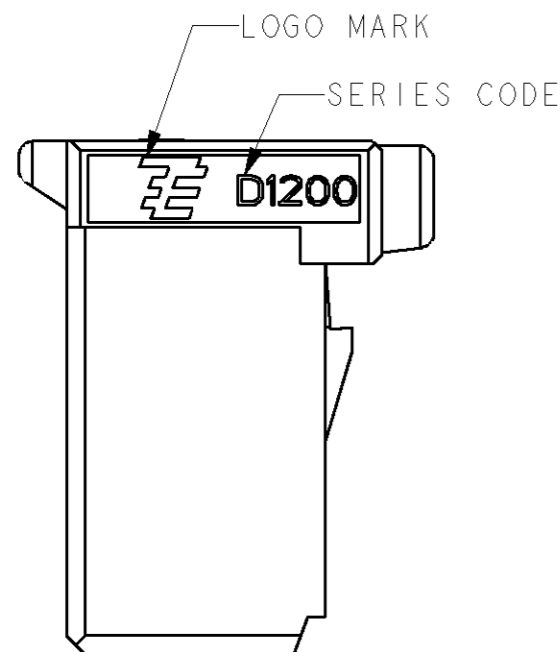
REVISIONS

P	LTR	DESCRIPTION	DATE	DWN	APVD
	B	REVISED PER ECR-10-007257	20APR2010	HMR	T.M

2.5Xn=C CAVITY MARK (ALPHABET: CAPITAL LETTER)

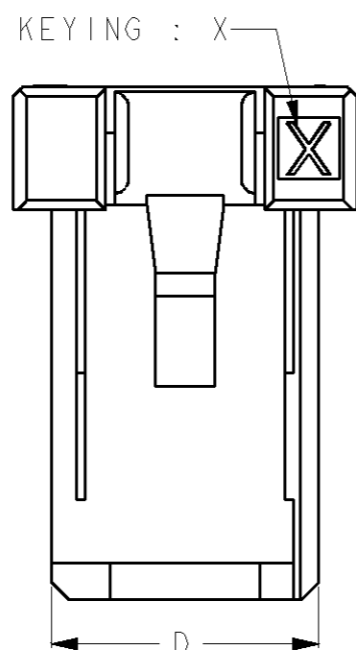


CIRCUIT NO.

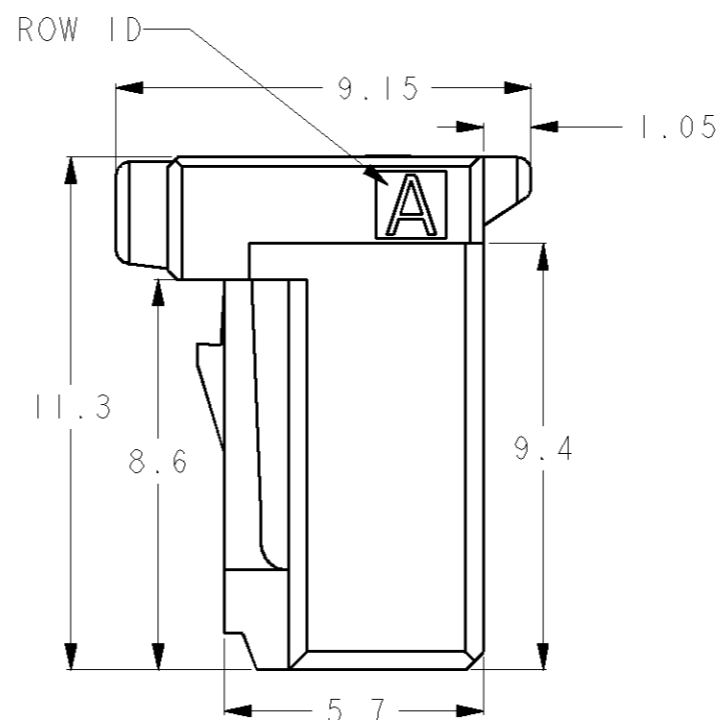


LOGO MARK

SERIES CODE



KEYING : X

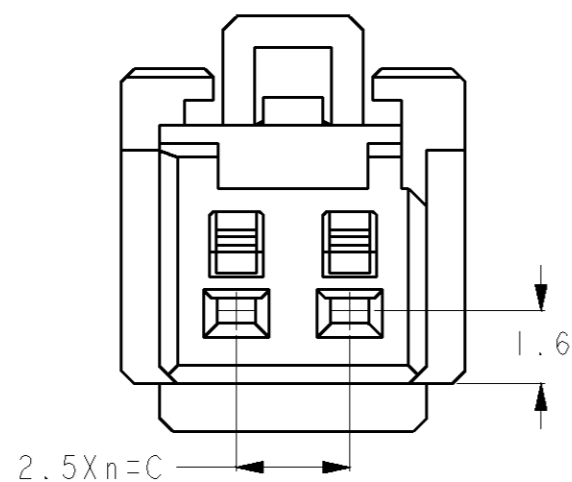


ROW ID

1. MATERIAL: GLASS FILLED THERMO PLASTIC POLYESTER(94V-0), COLOR: BLACK
2. THE SHAPE, SIZE AND POSITION OF THE CHARACTER SHOW THE OUTLINE. THEY DON'T SHOW DETAILS.

1. 材料: ガラス入り熱可塑性ポリエステル樹脂(94V-0)、色: 黒
2. 文字の形状、大きさ、および位置については、大略を示すものであり、詳細を示すものではありません。

2	1	3.1	7.6	2.5	5.9	1-1871465-2
POS.	n	A	B	C	D	PART No.



2P: 1-1871465-2

THIS DRAWING IS A CONTROLLED DOCUMENT FOR TYCO ELECTRONICS CORPORATION. IT IS SUBJECT TO CHANGE AND THE CONTROLLING ENGINEERING ORGANIZATION SHOULD BE CONTACTED FOR THE LATEST REVISION.

DIMENSIONS: 単位: 概 mm	TOLERANCES UNLESS OTHERWISE SPECIFIED: 一般公差 ±0.3, ±3° 0-PLC ± 1-PLC ± 2-PLC ± 3-PLC ± 4-PLC ± ANGLES ±
----------------------------	---

MATERIAL 材料	FINISH 仕上
----------------	--------------

DWN M. MAEBASHI 20JUN2005	CHK T. KUDO 20JUN2005	APVD D. MITSUGI 31AUG2005
PRODUCT SPEC 製品規格 108-78268		
APPLICATION SPEC 取付適用規格 114-5377		
WEIGHT		
CUSTOMER DRAWING		

		Tyco Electronics Corporation Kawasaki, Japan	
NAME 名称 DYNAMIC D1200S 2.5mm PITCH REC HSG 2POS			
SIZE A3	CAGE CODE 00779	DRAWING NO 番号 C=1871465	RESTRICTED TO
SCALE 尺度 6:1		SHEET 1	OF 1
		REV B	