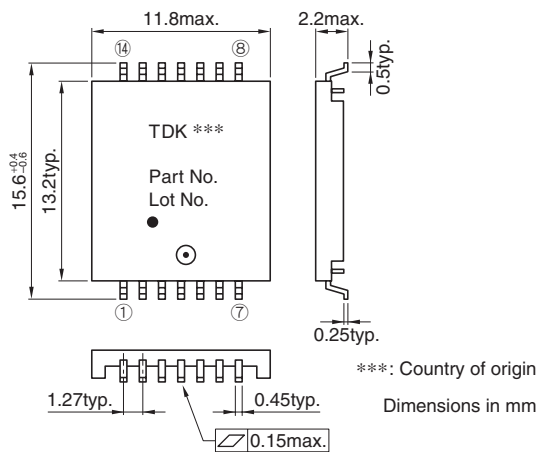


## TLA-6T207C(-T) 10/100BASE-TX

### FEATURES

- Lead free product.
- Can be mounted with lead-free solder (250°C max.).
- 14-pin(1.27mm pitch) SMD package.
- Low profile (H)2.2mm max. for PC application.
- Excellent common mode noise suppression.
- Inductance is 350 $\mu$ H or greater (f=100kHz, DC bias=8mA).
- Using the high-quality and wide-band ferrite cores for LAN.
- Packaging specification is taping and bulk(TLA-6T207C-T: Tape and reel, TLA-6T207C: Bulk).

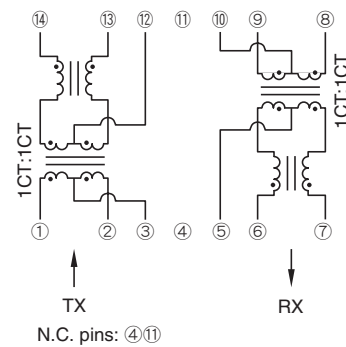
### SHAPES AND DIMENSIONS



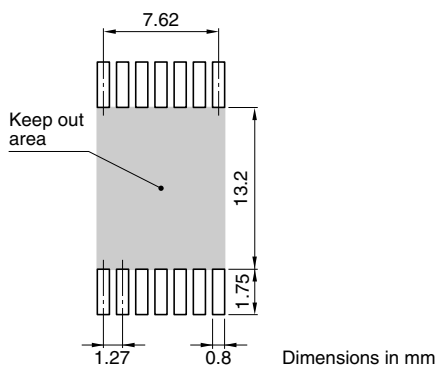
### GENERAL SPECIFICATIONS

Pulse transformer		2
Common-mode choke		2
Port		1
Temperature ranges	Operating	0 to +70°C
	Storage	-40 to +85°C
Withstanding voltage		Erms:1500V[60s]

### CIRCUIT DIAGRAM



### RECOMMENDED PC BOARD PATTERN



### ELECTRICAL CHARACTERISTICS

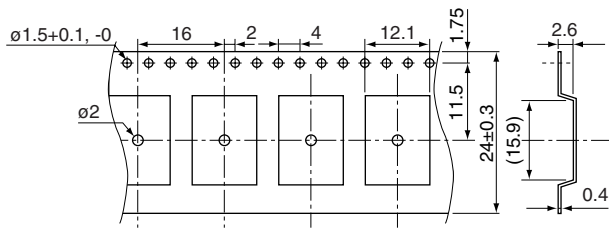
Part No.	Turns ratio ①③②:⑭⑫⑬ ⑥⑤⑦:⑨⑩⑧	Inductance ( $\mu$ H)min. [DC bias 8mA, 100kHz] ⑭-⑬ ⑨-⑧	Insertion loss (dB)max. [0.1 to 100MHz] ①②-⑭⑬ ⑨⑧-⑥⑦	Inter-winding stray capacitance (pF)max.[100kHz] ①②-⑭⑬ ⑥⑦-⑨⑧
TLA-6T207C(-T)	1CT:1CT	350	1	25
	1CT:1CT	350	1	25

- Ta=25°C

## PACKAGING STYLES

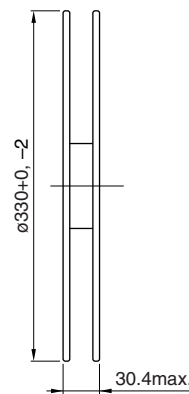
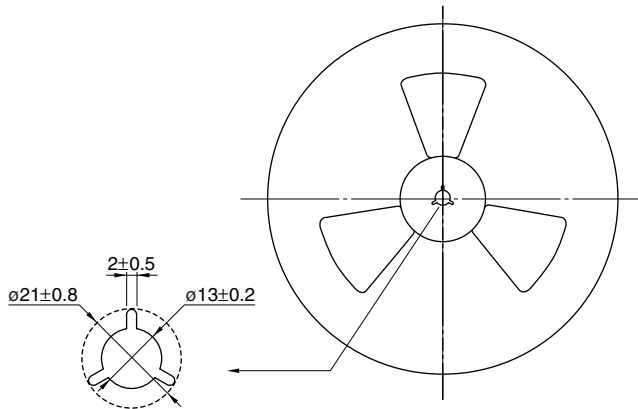
Quantity : 1500pieces/reel

## TAPE DIMENSIONS



Dimensions in mm

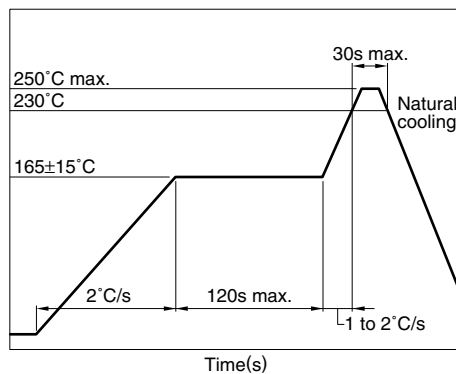
## REEL DIMENSIONS



Dimensions in mm

## RECOMMENDED SOLDERING CONDITION

### REFLOW SOLDERING



- Temperature is measured at the terminal portion of product (Using thermocoupler for measurement).
- This profile is reference data we recommend. Please check in your actual process.
- For reliable soldering, the thickness of solder paste screen should be over the terminal co-planality.
- The cutted end of terminal has no plating(out of subject of solder ability).

## RECOMMENDED STORE CONDITION

The product is packaged by Anti-humid Al bag, in order to keep a good solder ability condition and resistance to soldering heat for products.

- Before aluminum bag opening  
Temperature range: +5 to +40°C  
Humidity: 90(%)RH max.  
Storage period: 1year
- After aluminum bag opening  
Temperature range: +5 to +30°C  
Humidity: 60(%)RH max.  
Storage period: 1week