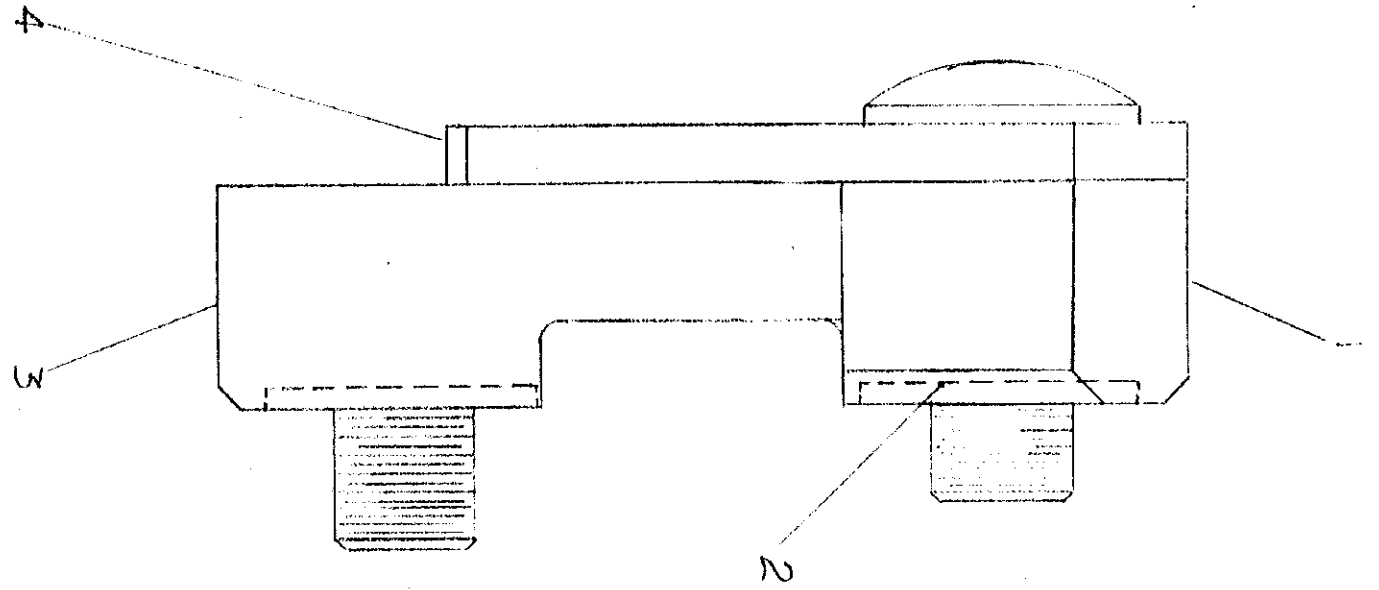
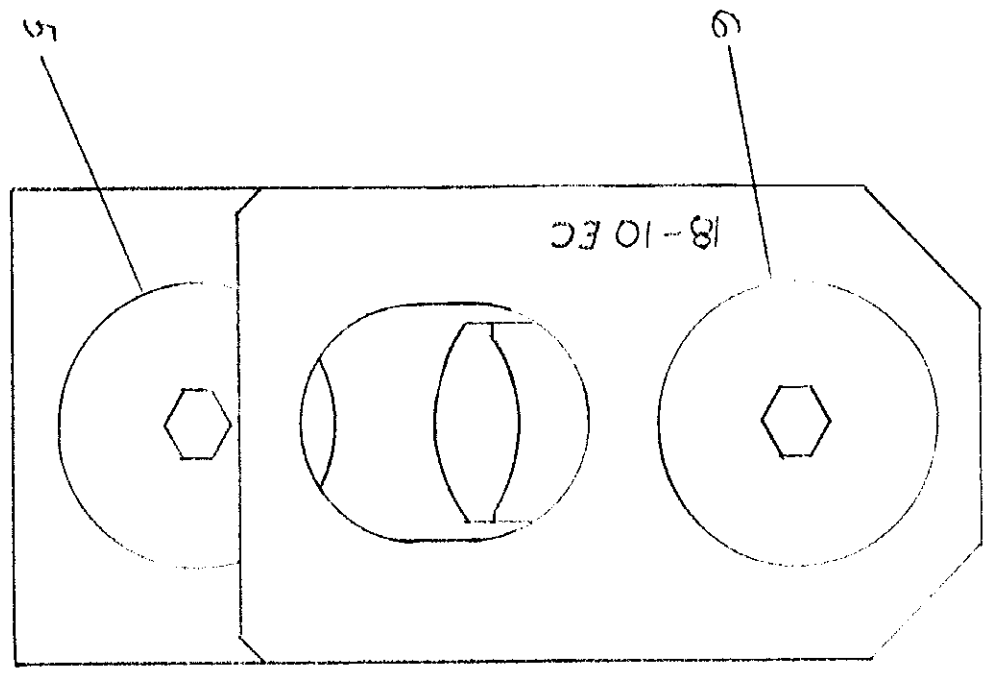
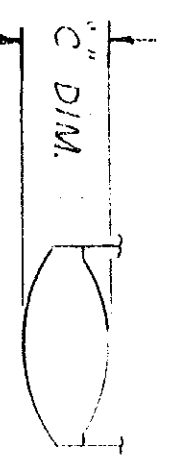


PRINT / DIST

DIMENSIONS IN INCHES. DO NOT SCALE PRINT.



ENLARGED VIEW OF CRIMP
SCALE 4-1



"C" DIM.	GO	NO GO
	.115	.121

1	A	3-306131-6	SCREEN - SPECIAL	6
1	A	306592-3	SCREEN - SPECIAL	5
1	B	46184	LOCATOR	4
1	B	46109	INSERT INDENTER	3
2	A	1-21046-3	RING-RETAINING	2
1	B	46108	INSERT ANVIL	1

LTR	DR	CHK	DATE
D	RDRAWV	BS	8-22-63
E	REVISED	CM	5-23-64
F	REVISED	AW	3-26-65
G	REVISED	LD	4-23-65
H	REVISED	RY	3-22-66

NUMBER	47811
DESCRIPTION	
REQUIRED PER ASSEMBLY	

©1957 BY AMP INCORPORATED. ALL RIGHTS RESERVED.
AMP PRODUCTS COVERED BY PATENTS AND/OR PATENTS PENDING.

CUSTOMER COPY
REFERENCE ONLY

AMP INCORPORATED
HARRISBURG, PENNA.

DR: *B. D. ...* 8-22-63
CHK: *...* 9-4-63
DE: *...*
APP: *...* 9-4-63

WIRE - RANGE - INSULATION: 18-10
TOLERANCE EXCEPT AS NOTED = 1° 0'

SCALE: 4-1
LOC: M
NO: B
REV: H

NAME: STRAIGHT ACTION AIR TOOL
INSERT ASSEMBLY

7 6 5 4 3 2 1

A B C D