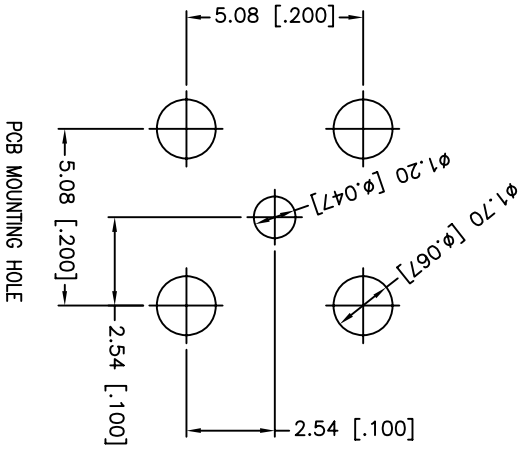
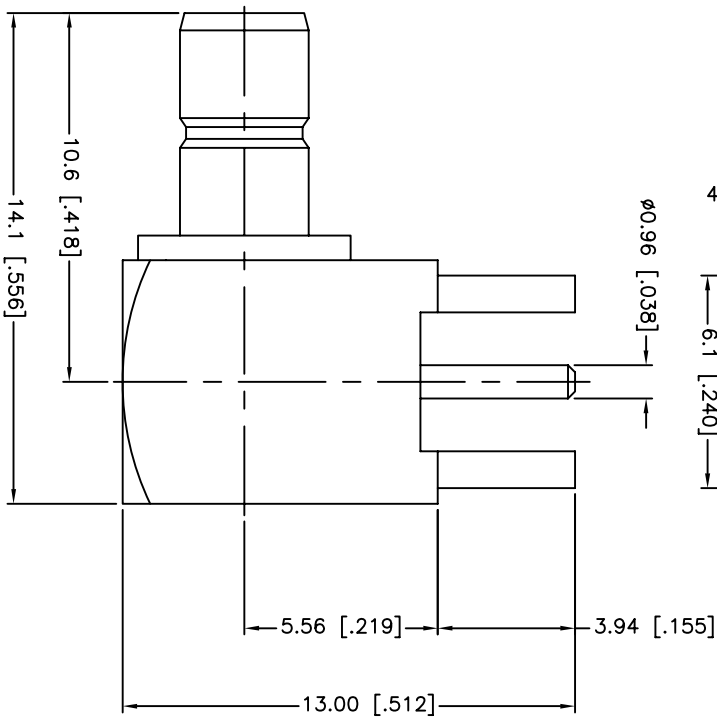
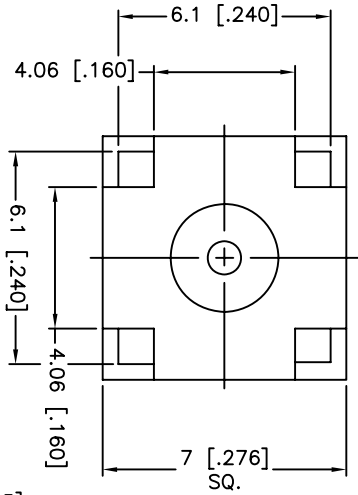


REV.	DATE	ECR NO.	DESCRIPTION
NC	04/15/10	XXXXXX	INITIAL RELEASE



QTY	FINISH	MATERIAL	DESCRIPTION
1	NICKEL	BRASS	HOUSING
1	NICKEL	BRASS	BODY
1	NATURAL	PTFE	INSULATOR
1	GOLD	BRASS	CONTACT PIN
1	NATURAL	PTFE	INSULATOR

UNLESS OTHERWISE SPECIFIED DIMENSIONS ARE INCHES AND FOR CUSTOMER REFERENCE ONLY.	UNLESS OTHERWISE SPECIFIED DIMENSIONS ARE IN MILLIMETERS.
UNLESS OTHERWISE SPECIFIED TOLERANCES FOR MILLIMETERS ARE: 0.5 - 8mm ± 0.20mm 8 - 30mm ± 0.40mm 30 - 120mm ± 0.50mm	UNLESS OTHERWISE SPECIFIED TOLERANCES FOR INCHES ARE: .020 - .315 = ± 0.007" .315 - 1.180 = ± 0.015" 1.180 - 4.724 = ± 0.020"
APPROVALS	DATE
DRAWN C.WANG	04/15/10
CHECKED	
ISSUED	
SHEET 1 OF 1	

**Amphenol Connex**

SMB R/A P.C. MOUNT JACK

PART NO. 142144

DWG. NO. 142144.DWG

REV. NC SIZE A SCALE NA