

4

3

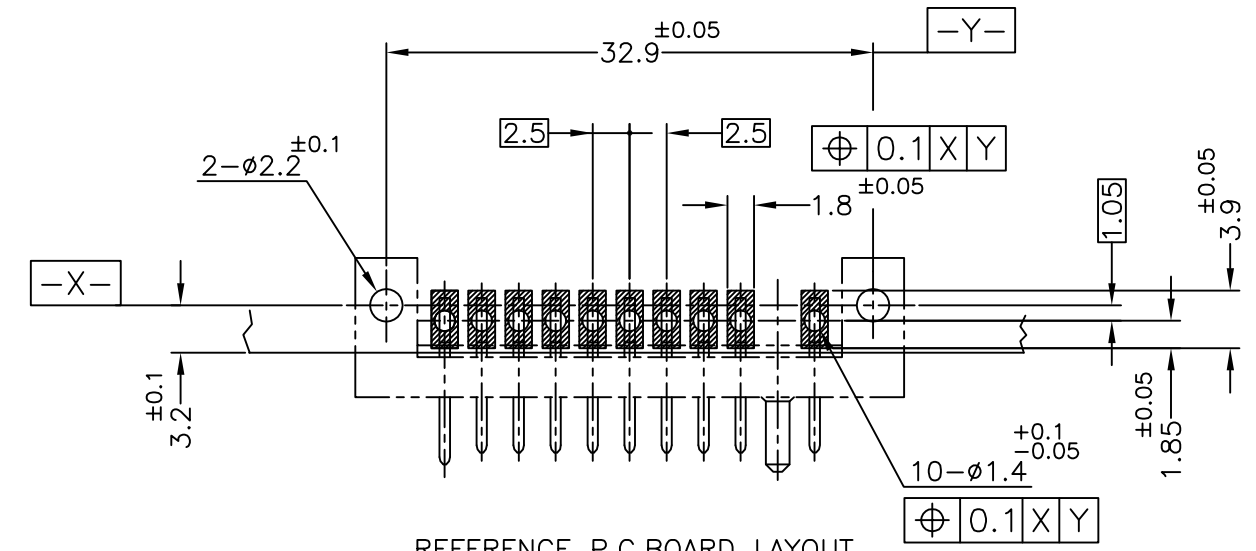
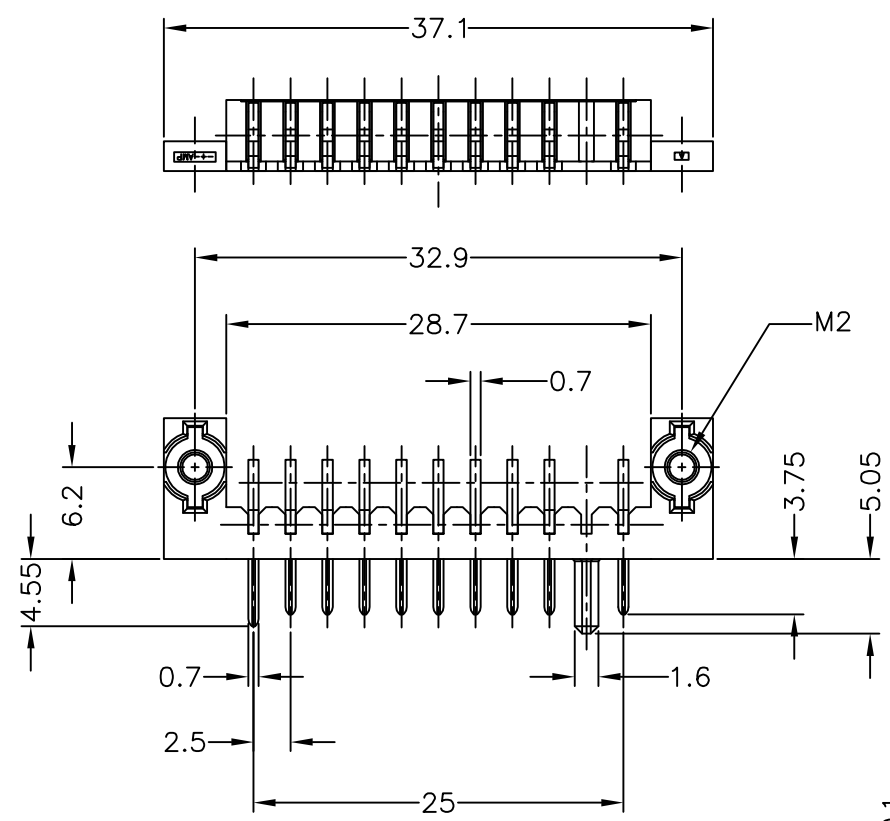
2

1

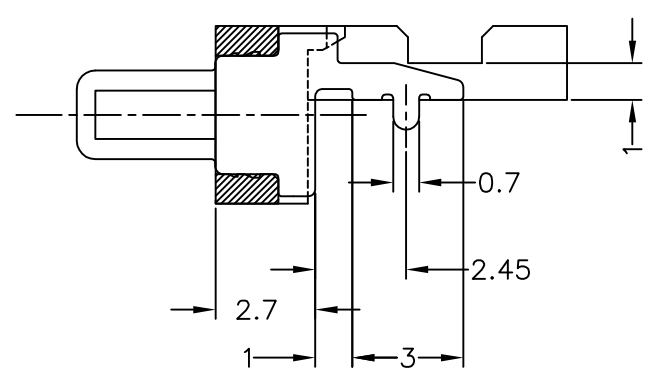
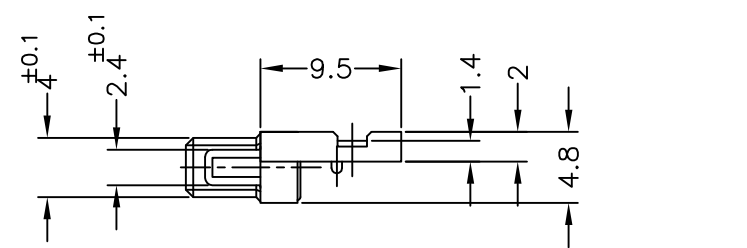
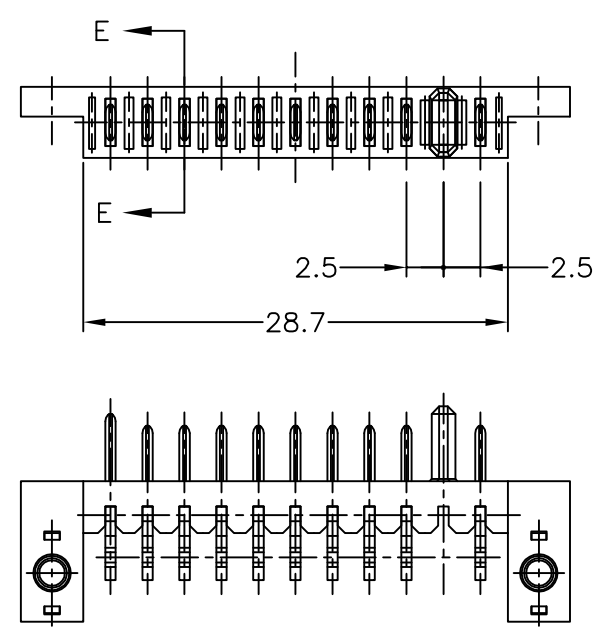
THIS DRAWING IS UNPUBLISHED. RELEASED FOR PUBLICATION JUL ,2004.
 © COPYRIGHT 2004 BY TYCO ELECTRONICS CORPORATION. ALL RIGHTS RESERVED.

LOC	DIST	REVISIONS			
P	LTR	DESCRIPTION	DATE	DWN	APVD
ES	/	A	REVISED PER ECR-10-011717	30MAY2010	S.W S.Y

-7 : AS SHOWN



REFERENCE P.C.BOARD LAYOUT
 P.C.BOARD THK 0.8~1.2
 (VIEW FROM CONNECTOR MOUNTING SIDE)



E-E SCALE 5:1

- ① MATERIAL
 - HOUSING: 6T NYLON, UL94V-0, BLACK
 - CONTACT: COPPER ALLOY
 - NUT : STAINLESS STEEL
- ② FINISH
 - CONTACT: Ni ALL OVER UNDER PL. 2μm MIN. GOLD PL. 0.3μm MIN. AT CONTACT AREA TIN PL. AT LEAD AREA 2μm MIN.

A

B

C

D

THIS DRAWING IS A CONTROLLED DOCUMENT.		DWN	T.KATANO	14OCT04	Tyco Electronics Shanghai, P.R.China, 200233
DIMENSIONS: MM		CHK	T.KIMURA	14OCT04	
TOLERANCES UNLESS OTHERWISE SPECIFIED:		APVD	K.IKEGAMI	14OCT04	
0-PLC ± 0.15 1-PLC ± 2-PLC ± 3-PLC ± 4-PLC ± ANGLES ± 3' FINISH		PRODUCT SPEC	108-5775		
MATERIAL		APPLICATION SPEC		NAME	PLUG ASSEMBLY 2.5mm PITCH BATTERY CONNECTOR (10POS. OFF SET TYPE)
①		②		SIZE	A3
CUSTOMER DRAWING		WEIGHT		CAGE CODE	00779
		SCALE		DRAWING NO	6123738
		SHEET		RESTRICTED TO	-
		1 OF 1		REV	A