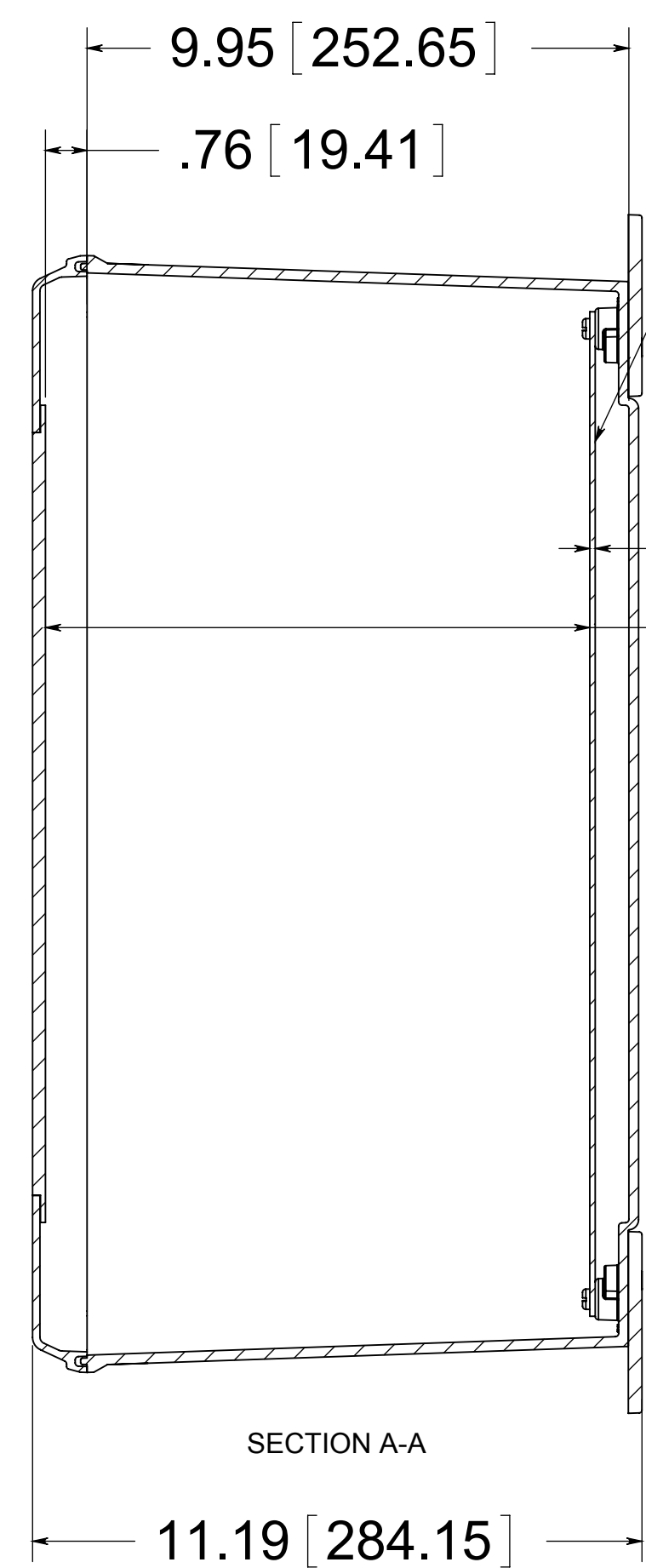


STAINLESS STEEL HINGE PIN

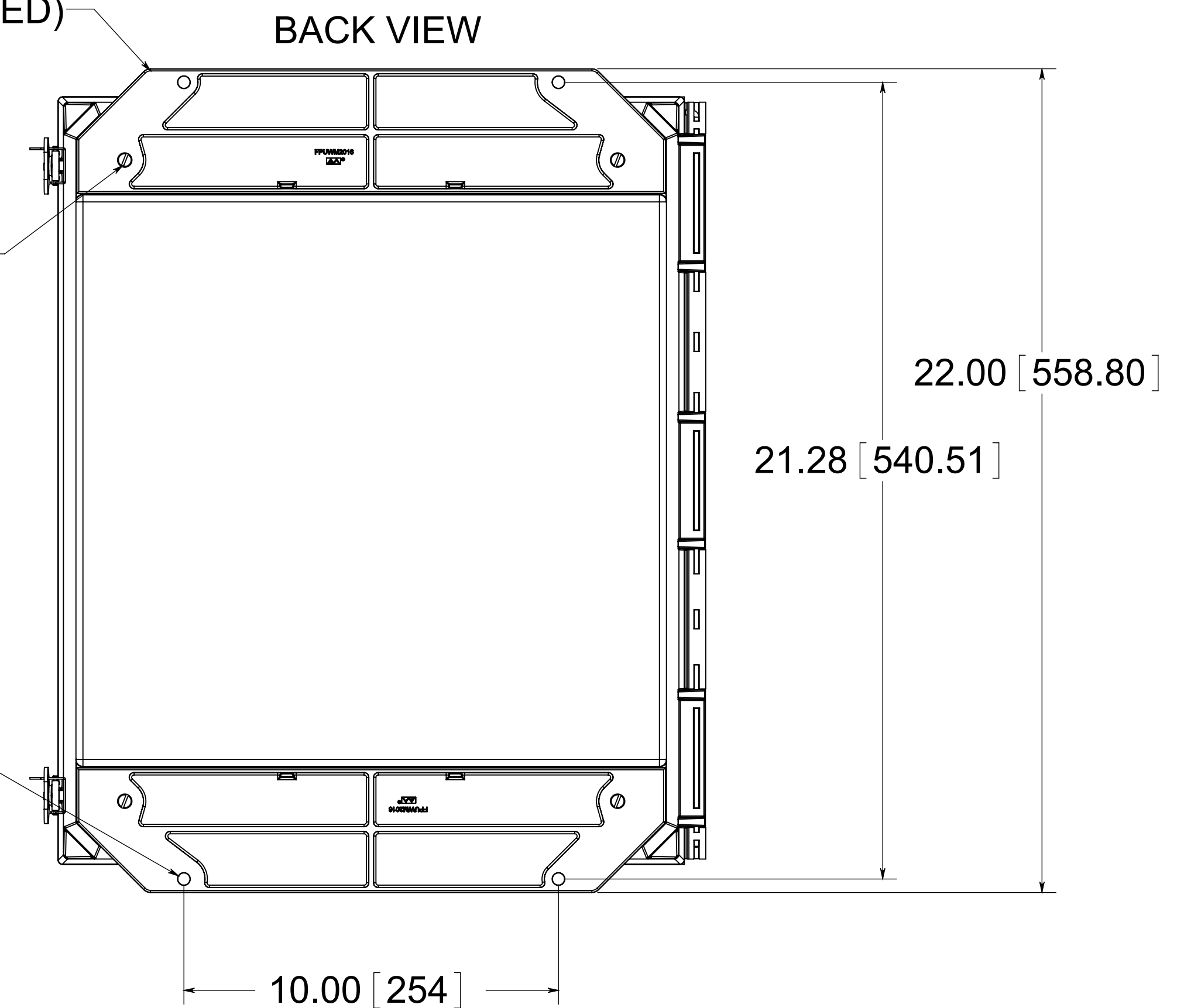


OPTIONAL BACK PANEL
 0.100 [2.54] TH'K- ALUMINUM
 0.075 [1.91] TH'K- WHITE STEEL & GALVANNEALED
 0.125 [3.18] TH'K- FIBERGLASS

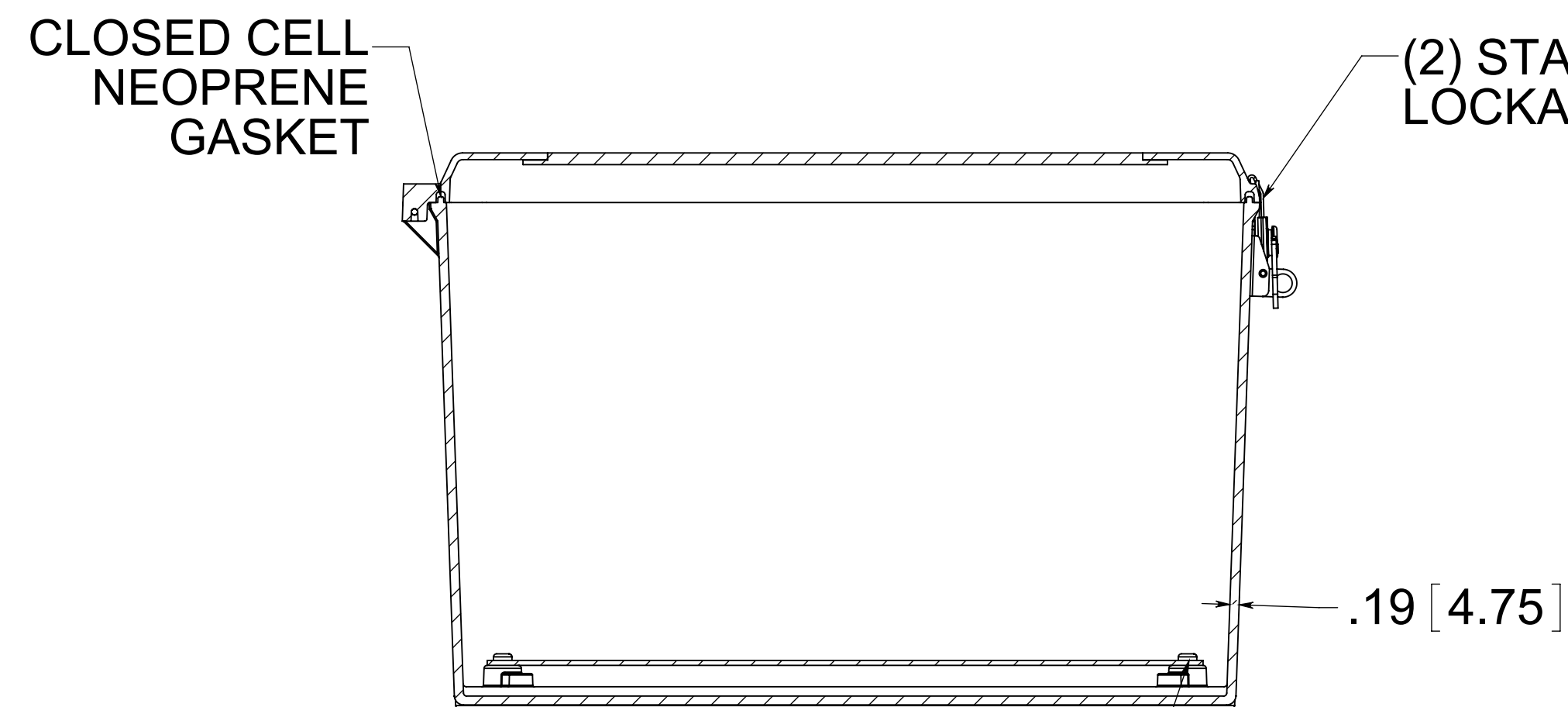
(2) POLYCARBONATE FLANGES (GLUED)

(4) EACH #10-32 BRASS INSERTS, AND STAINLESS STEEL FLANGE AND FEET SCREWS

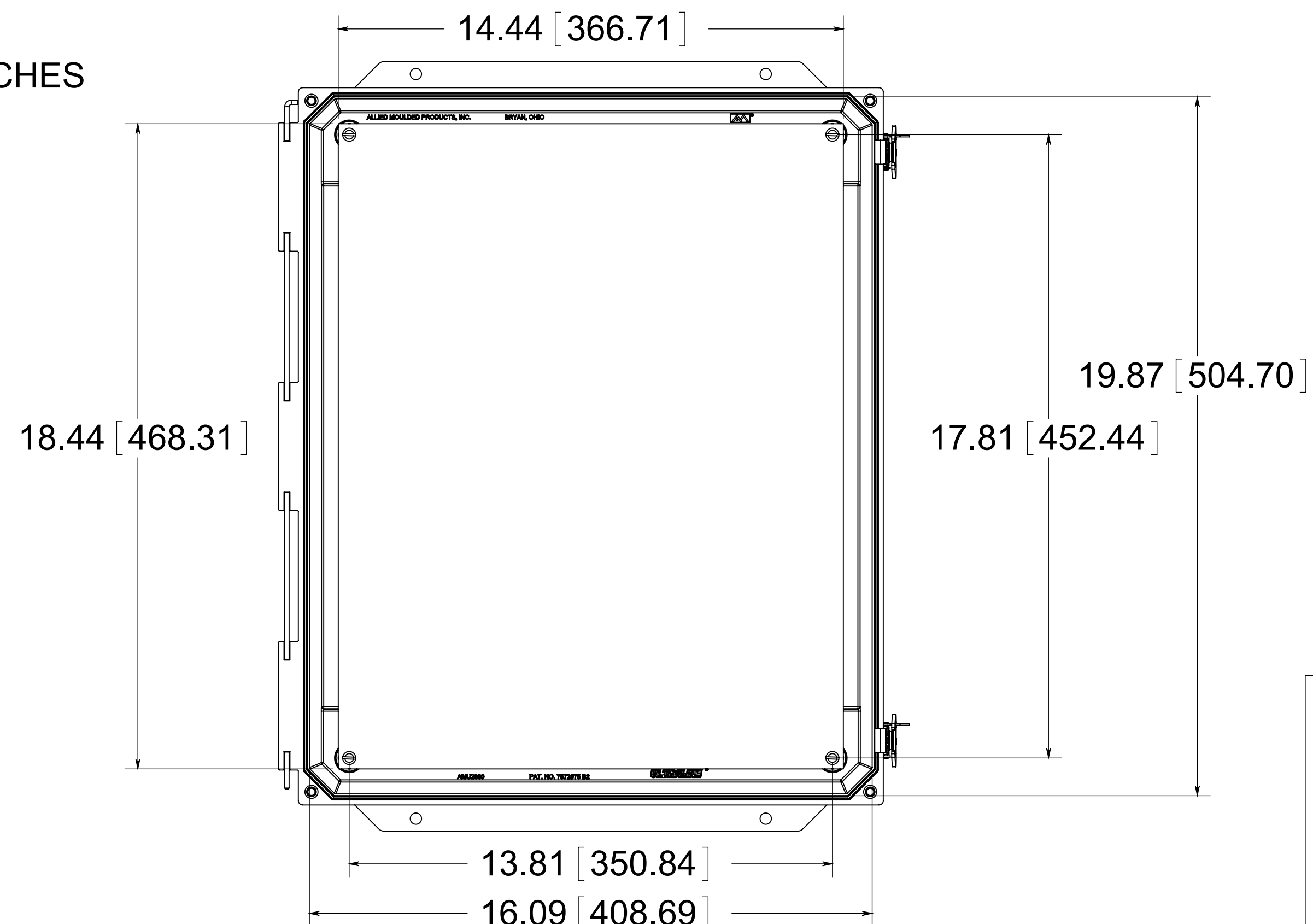
(4) ϕ .32 [8.20]



FRONT VIEW WITH COVER REMOVED AND BACK PANEL DISPLAYED



(4) EACH #10-32 BRASS INSERTS AND PLATED CARBON STEEL SCREWS



MATERIAL:
 BOX- COMPRESSION MOLDED FIBERGLASS REINFORCED POLYESTER
 COVER- COMPRESSION MOLDED FIBERGLASS REINFORCED POLYESTER
 WINDOWS- POLYCARBONATE

PART No. PJU201610TWF
 for more information visit www.hammfg.com
 Data subject to change without notice
 Drawing Not to Scale