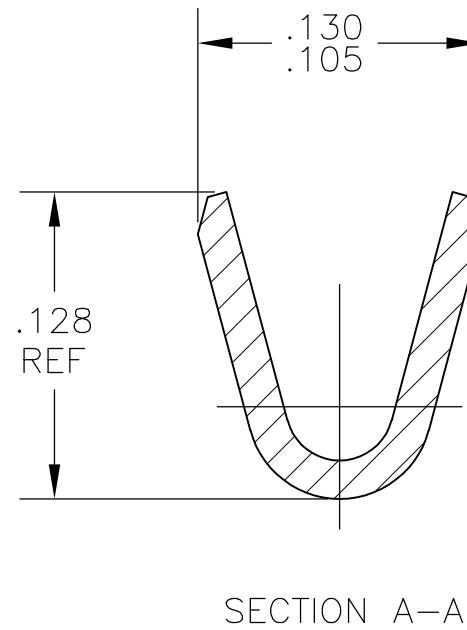
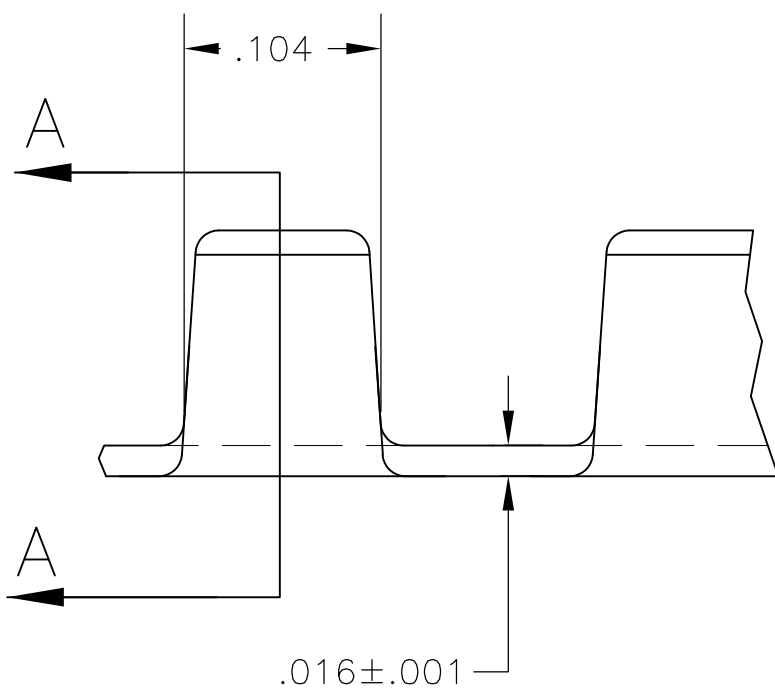
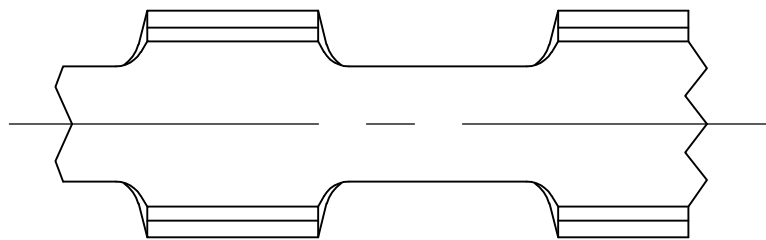


THIS DRAWING IS UNPUBLISHED. RELEASED FOR PUBLICATION
 © COPYRIGHT BY TYCO ELECTRONICS CORPORATION. ALL RIGHTS RESERVED.

LOC	DIST	REVISIONS					
AF	50	P	LTR	DESCRIPTION	DATE	DWN	APVD
			D	REVISED PER ECR-08-030838	30MAR09	HMR	GP

- 1 PRODUCT PROVIDED IN CONTINUOUS (BREAK FREE) STRIP FORM ON REELS.
- 2 WIRE RANGE: 1400 TO 2800 CMA



61008-1
PART NO

THIS DRAWING IS A CONTROLLED DOCUMENT.		DWN RAGHAVENDRA 27FEB07	Tyco Electronics Corporation Harrisburg, Pa 17105-3608			
DIMENSIONS: INCHES	TOLERANCES UNLESS OTHERWISE SPECIFIED:	CHK G.D.PORTA 27FEB07	NAME			
	0 PLC ± -	APVD G.D.PORTA 27FEB07	PRODUCT SPEC			
	1 PLC ± -		APPLICATION SPEC			
	2 PLC ± -		114-2088			
	3 PLC ± .010		SIZE	CAGE CODE	DRAWING NO	RESTRICTED TO
	4 PLC ± -		A3	00779	C-61008	-
	ANGLES ± -		CUSTOMER DRAWING			
MATERIAL STEEL	FINISH TIN	WEIGHT -	SCALE 10:1		SHEET 1 OF 1	REV D