

注記 1. 材質 MATERIAL
 NOTES ハウジング : 液晶ポリマー-UL94V-0
 HOUSING : LIQUID CRYSTAL POLYMER [LCP]
 UL94V-0

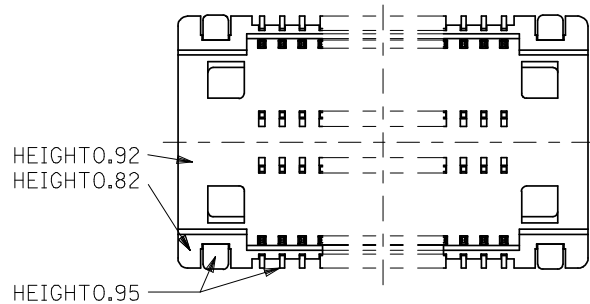
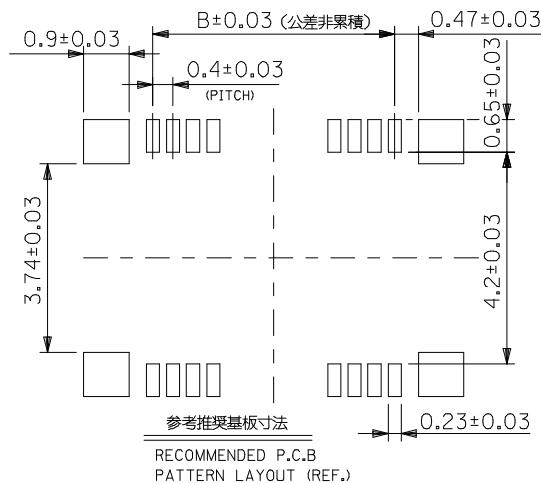
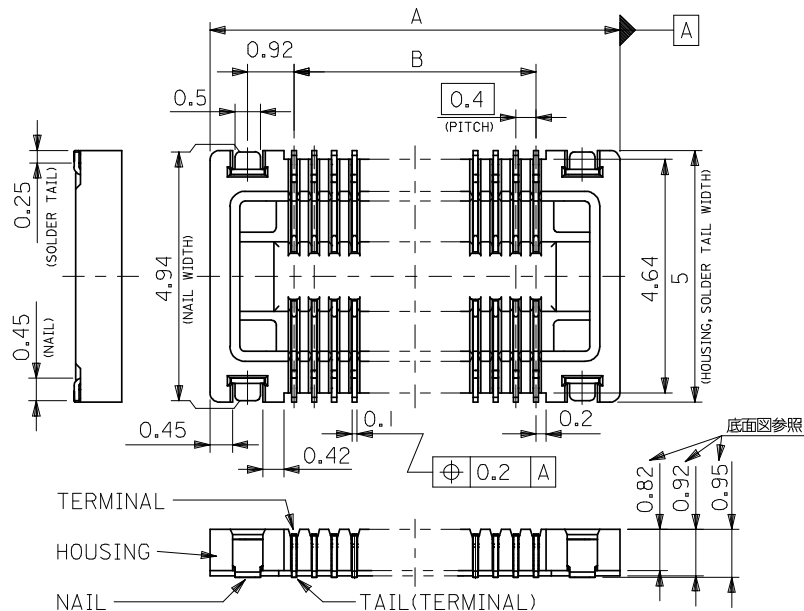
ターミナル : 銅合金
 TERMINAL : COPPER ALLOY
 ネール : 銅合金
 NAIL : COPPER ALLOY

2. メッキ仕様 PLATING
 接点部 : 金メッキ 0.1µm
 CONTACT AREA : GOLD PLATING 0.1µm
 半田付け部 : 金メッキ 0.1µm
 SOLDER TAIL AREA : GOLD PLATING 0.1µm
 下地メッキ : ニッケルメッキ 1.0µm
 UNDER PLATING : NICKEL PLATING 1.0µm
 ネール : 錫メッキ 1.0µm
 NAIL : TIN PLATING 1.0µm
 下地メッキ : ニッケルメッキ 1.0µm
 UNDER PLATING : NICKEL PLATING 1.0µm

3. テール及びネールの平坦度は 0.1 以下
 TAIL AND NAIL COPLANARITY : 0.1 MAX.

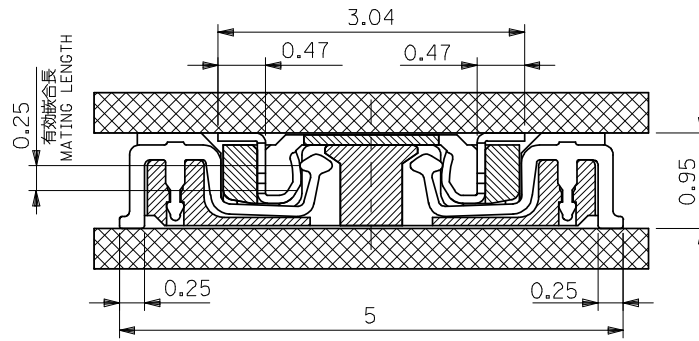
4. 嵌合相手 : 500027 シリウス
 MATE WITH : 500027 SERIES

5. 本製品は 500024-***19 の鉛フリー品である。
 THIS PRODUCT IS LEAD FREE OF 500024-***19



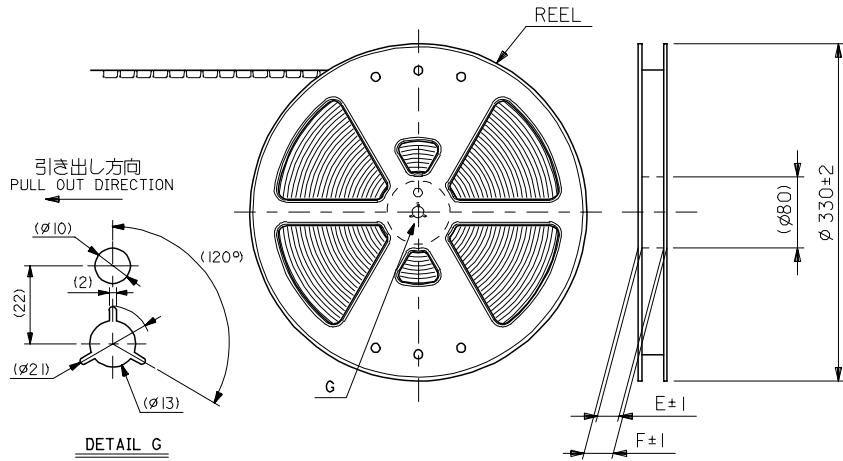
| | | | | |
|------|-----|--|-----------------|-----------|
| 7.74 | 4.4 | 500024-2481 | 500024-2418 | 24 |
| 6.94 | 3.6 | 500024-2081 | 500024-2018 | 20 |
| 6.14 | 2.8 | 500024-1681 | 500024-1618 | 16 |
| A | B | EMBOSSED TAPE PKG. ORDER No. オーダー番号 | MATERIAL No. | CIRCUIT |
| | | | 500024-***18 | MODEL NO. |

| | | | | | | |
|---|--|--|----------------------------|--|---|---------------------------|
| REVISED EC NO. J2009-0301 DRWN:MMABEI 2008/08/27 CHKD:THARUYAMA 2008/08/28 APPR:NUKITA 2008/08/28 | GENERAL TOLERANCES (UNLESS SPECIFIED) | | DIMENSION STYLE MM ONLY | SCALE --- | DESIGN UNITS METRIC | THIRD ANGLE PROJECTION |
| | 10 UNDER | ±0.2 | DRAWN BY HSHIMABUKURO | DATE 2004/03/10 | TITLE 0.4MM B/B CONN. H=0.95 REC. HS'G ASS'Y -LAED FREE- | |
| | 10 OVER 30 UNDER | ±0.25 | CHECKED BY KTOJO | DATE 2004/03/10 | MOLEX INCORPORATED | |
| | 30 OVER | ±0.3 | APPROVED BY MSASAO | DATE 2004/03/10 | DOCUMENT NO. SD-500024-020 | SHEET NO. 1 OF 2 |
| REV | DESCRIPTION | ANGULAR ±3 ° DRAFT WHERE APPLICABLE MUST REMAIN WITHIN DIMENSIONS | MATERIAL NO. SEE TABLE | THIS DRAWING CONTAINS INFORMATION THAT IS PROPRIETARY TO MOLEX INCORPORATED AND SHOULD NOT BE USED WITHOUT WRITTEN PERMISSION | | |



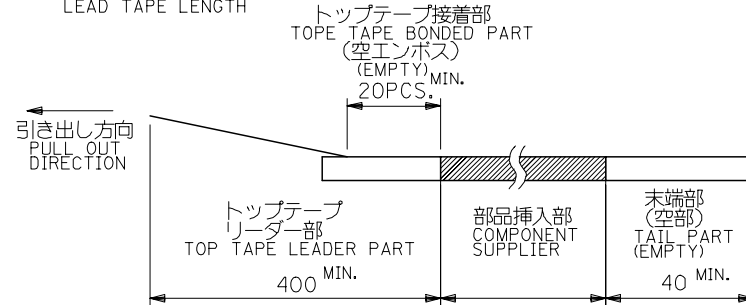
嵌合断面图 (参考)
MATED DRAWING

| | | | | | | |
|---|--|-------|-----------------------------|---|---|------------------------|
| REVISED EC NO: J2009-0301 DRWN: MABEI 2008/08/27 CHKD: THARUYAMA 2008/08/28 APPR: NUKITA 2008/08/28 | GENERAL TOLERANCES (UNLESS SPECIFIED) | | DIMENSION STYLE MM ONLY | SCALE --- | DESIGN UNITS METRIC | THIRD ANGLE PROJECTION |
| | 10 UNDER | ±0.2 | DRAWN BY HSHIMABUKURO | DATE 2004/03/10 | TITLE 0.4MM B/B CONN. H=0.95 REC. HS'G ASS'Y -LEAD FREE- | |
| | 10 OVER 30 UNDER | ±0.25 | CHECKED BY KTOJO | DATE 2004/03/10 | MOLEX INCORPORATED | |
| | 30 OVER | ±0.3 | APPROVED BY MSASAO | DATE 2004/03/10 | DOCUMENT NO. SD-500024-020 | SHEET NO. 2 OF 2 |
| ANGULAR ±3 ° | DRAFT WHERE APPLICABLE MUST REMAIN WITHIN DIMENSIONS | | MATERIAL NO. SEE SHEET 1 | THIS DRAWING CONTAINS INFORMATION THAT IS PROPRIETARY TO MOLEX INCORPORATED AND SHOULD NOT BE USED WITHOUT WRITTEN PERMISSION | | |



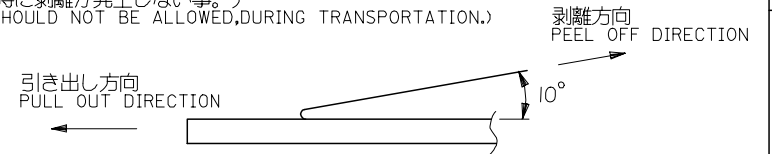
注)
NOTES

1. 製品番号 500024-**18 詳細寸法については、製品単体図面を参照下さい。
IN THE PACKAGE PART NUMBER 500024-**18 DETAILED DIMENSIONS, SEE SALES DRAWING FOR CONNECTOR.
2. 梱包数量：2000個/リール
NUMBER OF CONNECTORS : 2000 PCS/REEL.
3. リードテープ長さ
LEAD TAPE LENGTH



4. トップテープの剥離強度：(剥離方向は下図参照)
PEELING OFF FORCE OF TOP TAPE (PELLING DIRECTION AS SHOWN IN FOLLOWING FIGURE.)
0. 1~1. 3N{ 10~130gf }

尚、本規格値は、出荷時に適用。
THIS REQUIREMENT SHOULD BE APPLIED AT SHIPMENT.
(但し、輸送時に剥離が発生しない事。)
(PEEL OFF SHOULD NOT BE ALLOWED, DURING TRANSPORTATION.)



5. 材料
MATERIAL
キャリアテープ：ポリプロピレン (PP)
CARRIER TAPE: POLYPROPYLENE (PP)
トップテープ：PET, PE, PEF
TOP TAPE: PET, PE, PEF
リール：ポリスチレン
REEL : POLYSTYRENE

6. 本製品は 500024-**11 の鉛フリー品である。
THIS PRODUCT IS LEAD FREE OF 500024-**11

500024-**8 | MODEL NO.

| | | | | | | | | |
|---|---------------------------------------|------------|--|---|---|------------------------|------------------------|--|
| REVISED EC NO: J2005-1634 DRAWN: KENSUZUKI 2005/02/15 CHKD: NUKITA 2005/02/15 APPR: NUKITA 2005/02/15 REV B | GENERAL TOLERANCES (UNLESS SPECIFIED) | | DIMENSION STYLE MM ONLY | | SCALE --- | DESIGN UNITS METRIC | THIRD ANGLE PROJECTION | |
| | 10 UNDER | ±0.2 | DRAWN BY DATE HSHIMABUKURO 2004/03/10 | | TITLE 500024-**18 TAPING PACKAGE -LEAD FREE- | | | |
| | 10 OVER 30 UNDER | ±0.25 | CHECKED BY DATE KTOJO 2004/03/10 | | | | | |
| | 30 OVER | ±0.3 | APPROVED BY DATE MSASAO 2004/03/10 | | MOLEX INCORPORATED | | | |
| | ANGULAR | ±3 ° | MATERIAL NO. SEE CHART | | DOCUMENT NO. SD-500024-021 | | SHEET NO. 1 OF 2 | |
| DRAFT WHERE APPLICABLE MUST REMAIN WITHIN DIMENSIONS | | SIZE A3 | | THIS DRAWING CONTAINS INFORMATION THAT IS PROPRIETARY TO MOLEX INCORPORATED AND SHOULD NOT BE USED WITHOUT WRITTEN PERMISSION | | | | |

10 9 8 7 6 5 4 3 2 1

F

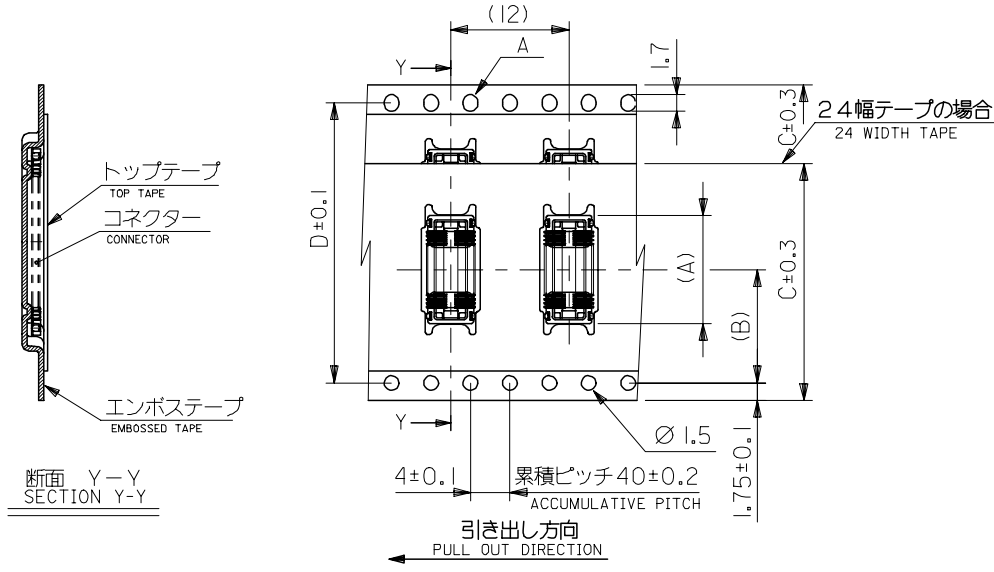
E

D

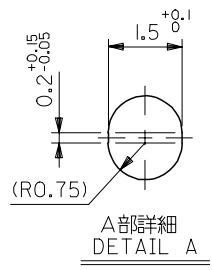
C

B

A



断面 Y-Y
SECTION Y-Y



A部詳細
DETAIL A

| | | | | | | | | |
|------|------|----|-----|------|------|-------------|--------------|---------|
| 7.74 | 11.5 | 24 | —#— | 25.4 | 29.4 | 500024-2418 | 500024-2481 | 24 |
| 6.94 | 11.5 | 24 | —#— | 25.4 | 29.4 | 500024-2018 | 500024-2081 | 20 |
| 6.14 | 11.5 | 24 | —#— | 25.4 | 29.4 | 500024-1618 | 500024-1681 | 16 |
| (A) | (B) | C | D | E | F | CONNECTOR | MATERIAL No. | CIRCUIT |

500024-**81 MODEL.NO.

| | | | | | | | | |
|--|---------------------------------------|--|--|--|---|------------------------|------------------------|--|
| REVISED EC No.: J2005-1634 DRAWN: KENSUJIKI 2005/02/15 CHKD: NUKITA 2005/02/15 APPR: NUKITA 2005/02/15 | GENERAL TOLERANCES (UNLESS SPECIFIED) | | DIMENSION STYLE MM ONLY | | SCALE --- | DESIGN UNITS METRIC | THIRD ANGLE PROJECTION | |
| | 10 UNDER | ±0.2 | DRAWN BY DATE HSHIMABUKURO 2004/03/10 | | TITLE 500024-**18 TAPING PACKAGE -LEAD FREE- | | | |
| | 10 OVER 30 UNDER | ±0.25 | CHECKED BY DATE KTOJO 2004/03/10 | | | | | |
| | 30 OVER | ±0.3 | APPROVED BY DATE MSASAO 2004/03/10 | | MOLEX INCORPORATED | | | |
| | ANGULAR | ±3 ° | MATERIAL NO. SEE CHART | | DOCUMENT NO. SD-500024-021 | | SHEET NO. 2 OF 2 | |
| DRAFT WHERE APPLICABLE MUST REMAIN WITHIN DIMENSIONS | | THIS DRAWING CONTAINS INFORMATION THAT IS PROPRIETARY TO MOLEX INCORPORATED AND SHOULD NOT BE USED WITHOUT WRITTEN PERMISSION | | | | | | |