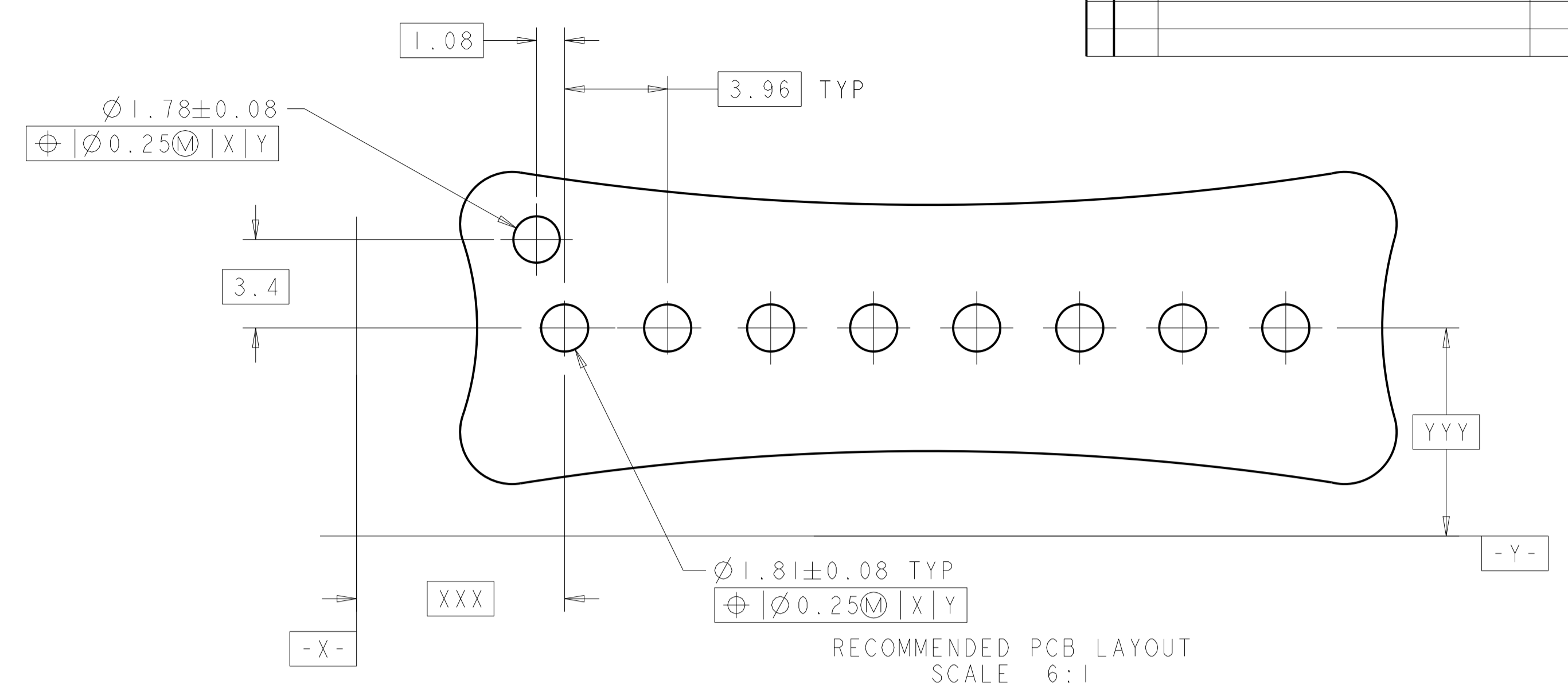
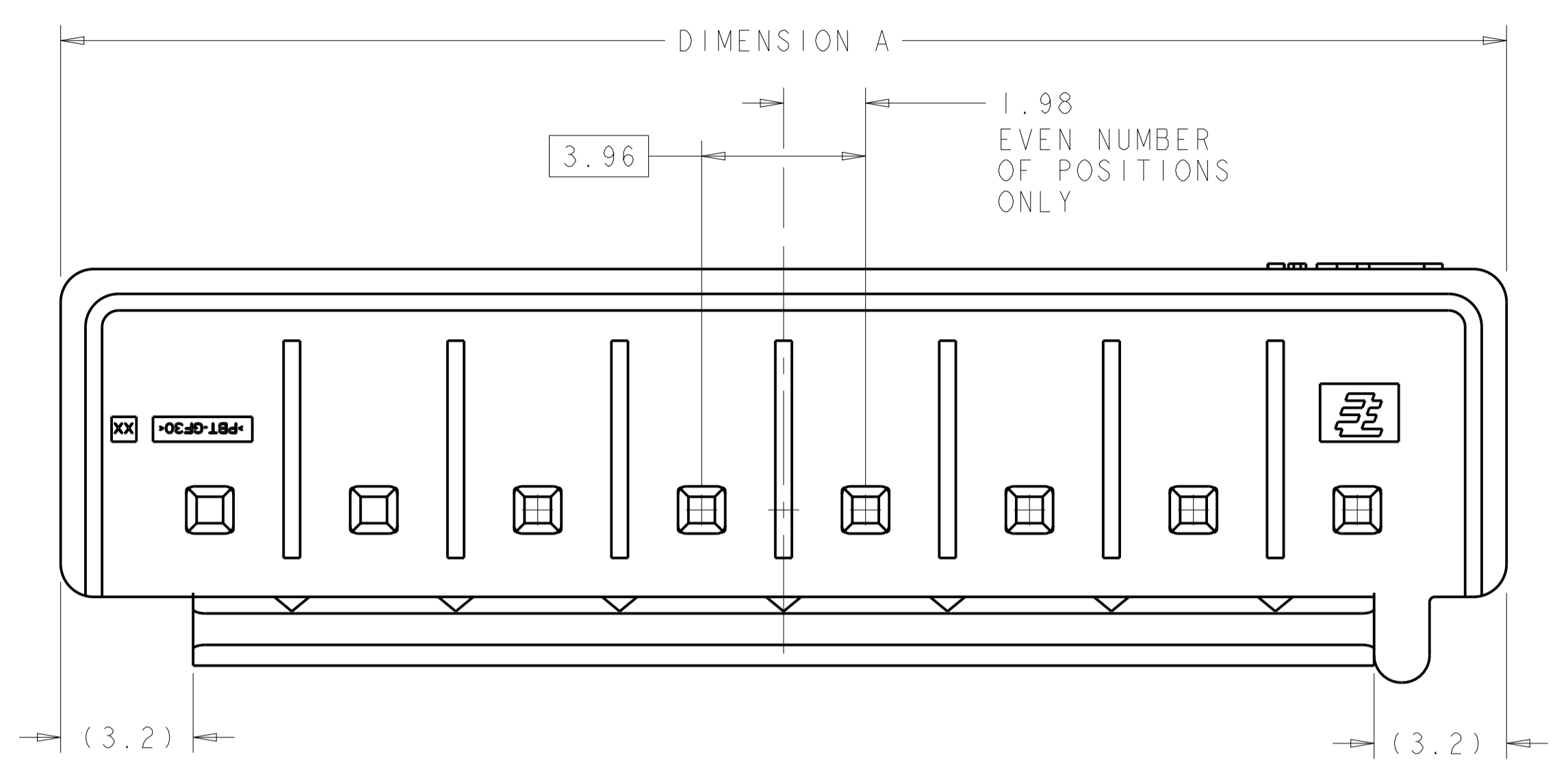
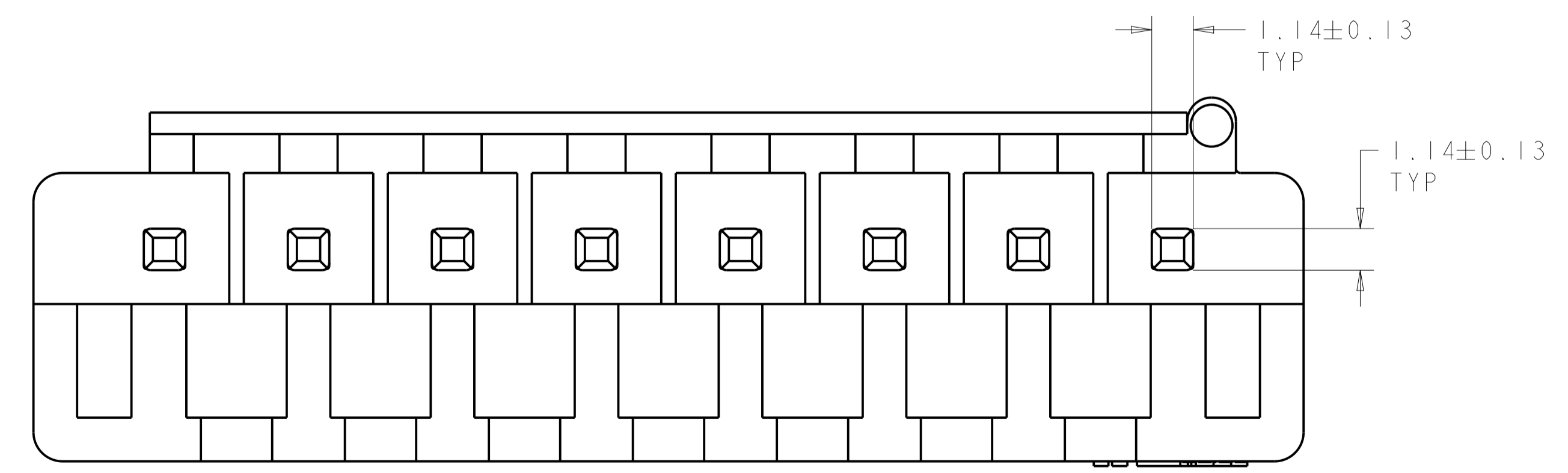
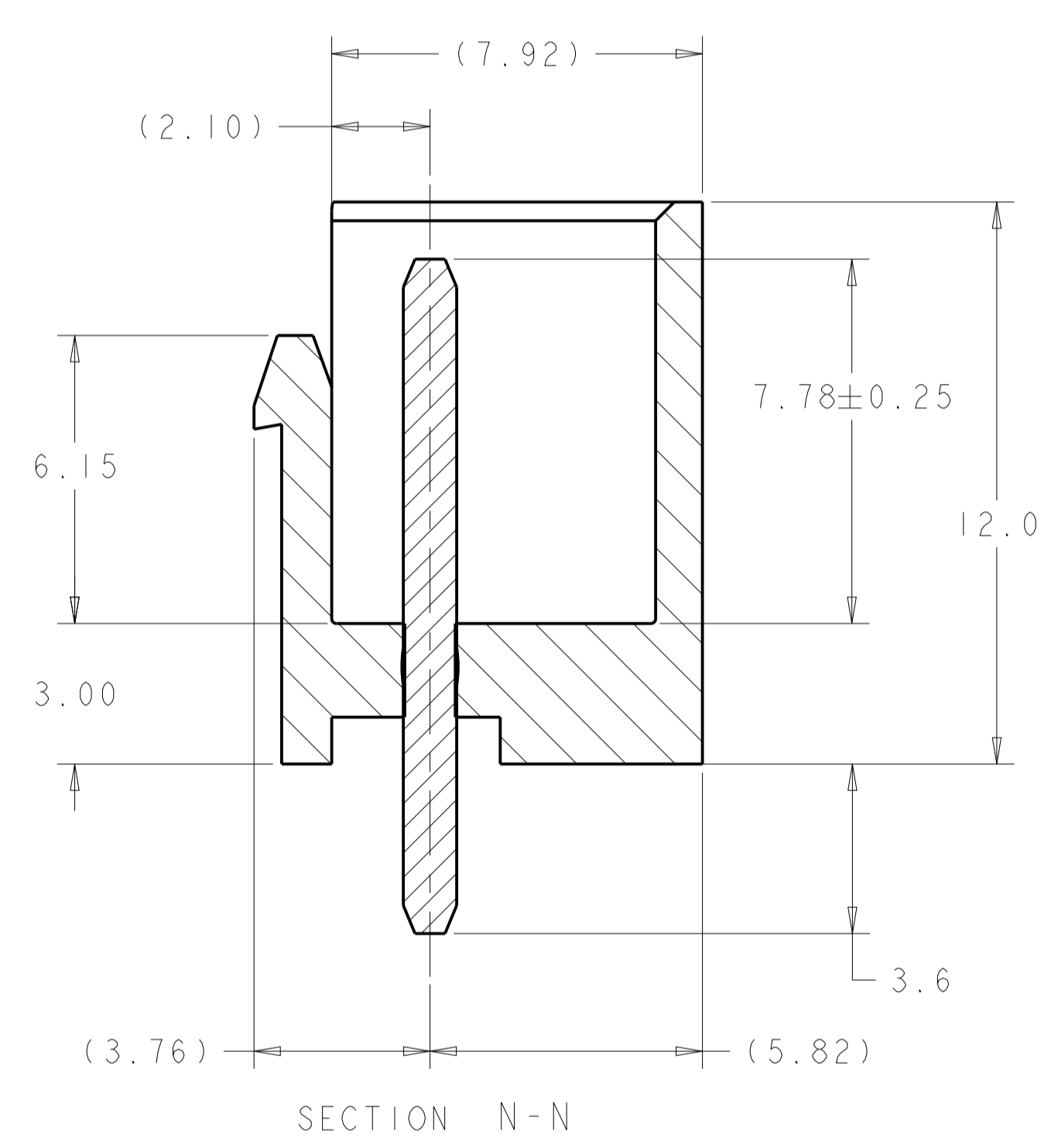
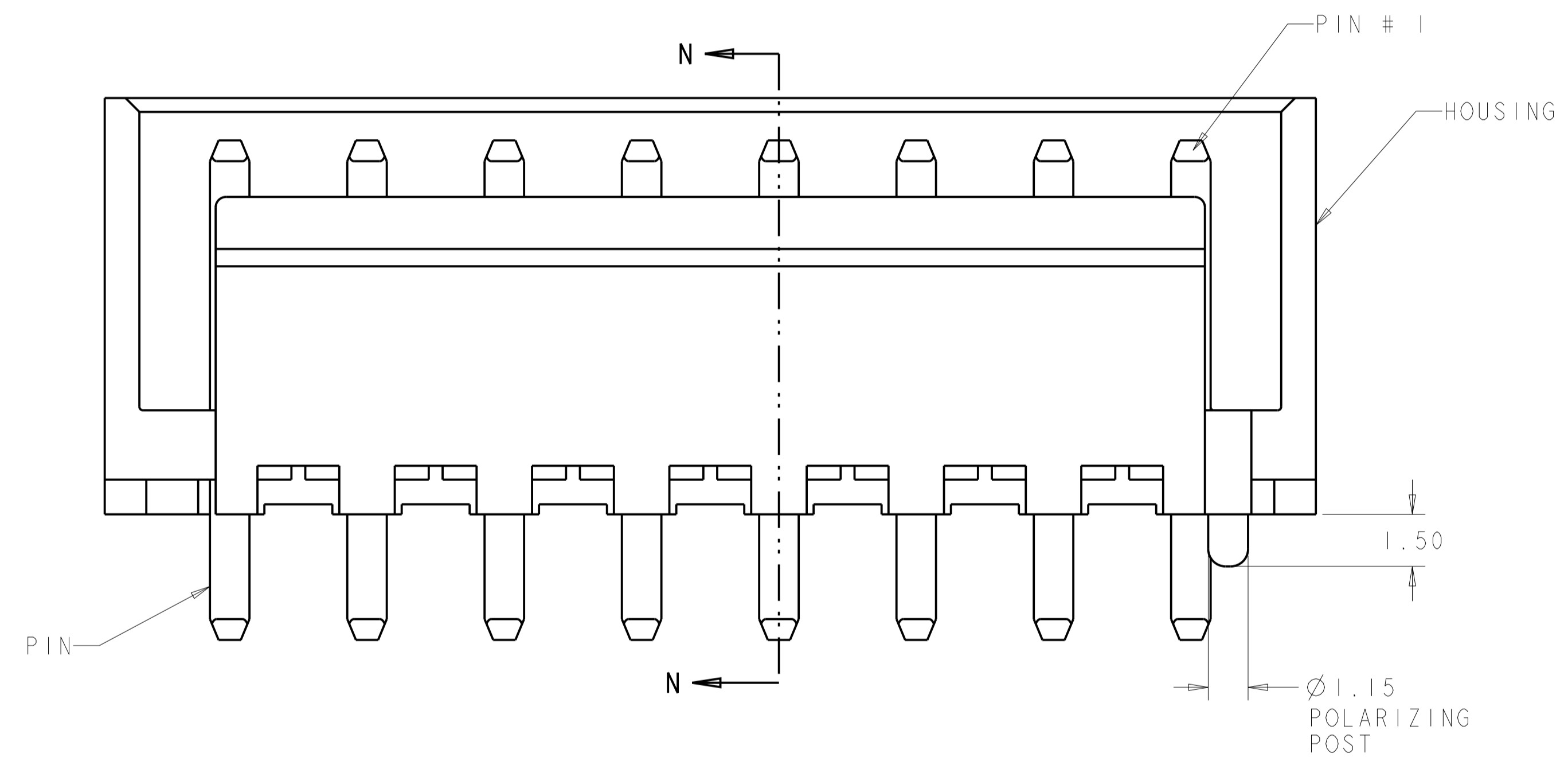


| LOC | DIST | REV | DATE | BY | CHK | APPV |
|-----|------|-----|-----------|----|-----|------|
| GP | 00 | A | 07MAR2014 | NK | TM | |



△ MATERIAL: HOUSING; PBT GLASS FILLED UL94V-0
PIN; BRASS, GRAY

△ FINISH: PIN, 1.0μm MIN TIN OVER 0.8μm MIN NICKEL.



| | | |
|-------|-----|---------------------|
| 50.77 | 12 | 1-1744487-2 |
| 46.81 | 11 | 1-1744487-1 |
| 42.85 | 10 | 1-1744487-0 |
| 38.89 | 9 | 1744487-9 |
| 34.93 | 8 | 1744487-8 |
| 30.97 | 7 | 1744487-7 |
| 27.01 | 6 | 1744487-6 |
| 23.05 | 5 | 1744487-5 |
| 19.09 | 4 | 1744487-4 |
| 15.13 | 3 | 1744487-3 |
| 11.17 | 2 | 1744487-2 |
| DIM A | POS | ASSEMBLY PART NO |

THIS DRAWING IS A CONTROLLED DOCUMENT.

OWN: KIRAN HOLLA 13AUG2012
CHK: MACE SAM 13AUG2012
APPV: MACE SAM 13AUG2012

DIMENSIONS: mm
TOLERANCES UNLESS OTHERWISE SPECIFIED:
0 PLC ±0.50
2 PLC ±0.30
3 PLC ±0.25
4 PLC ±0.20
ANGLES ±0.5

MATERIAL: △
FINISH: △

Customer Drawing

TE Connectivity

NAME: SHROUDED HEADER ASSEMBLY, SINGLE LATCH, 3.96mm PITCH, ECONOMY POWER (EP), GRAY

PRODUCT SPEC: 108-5609
APPLICATION SPEC:

SIZE: A1
CAGE CODE: 00779
DRAWING NO: 1744487

RESTRICTED TO: -

SCALE: 8:1 SHEET 1 OF 1 REV A