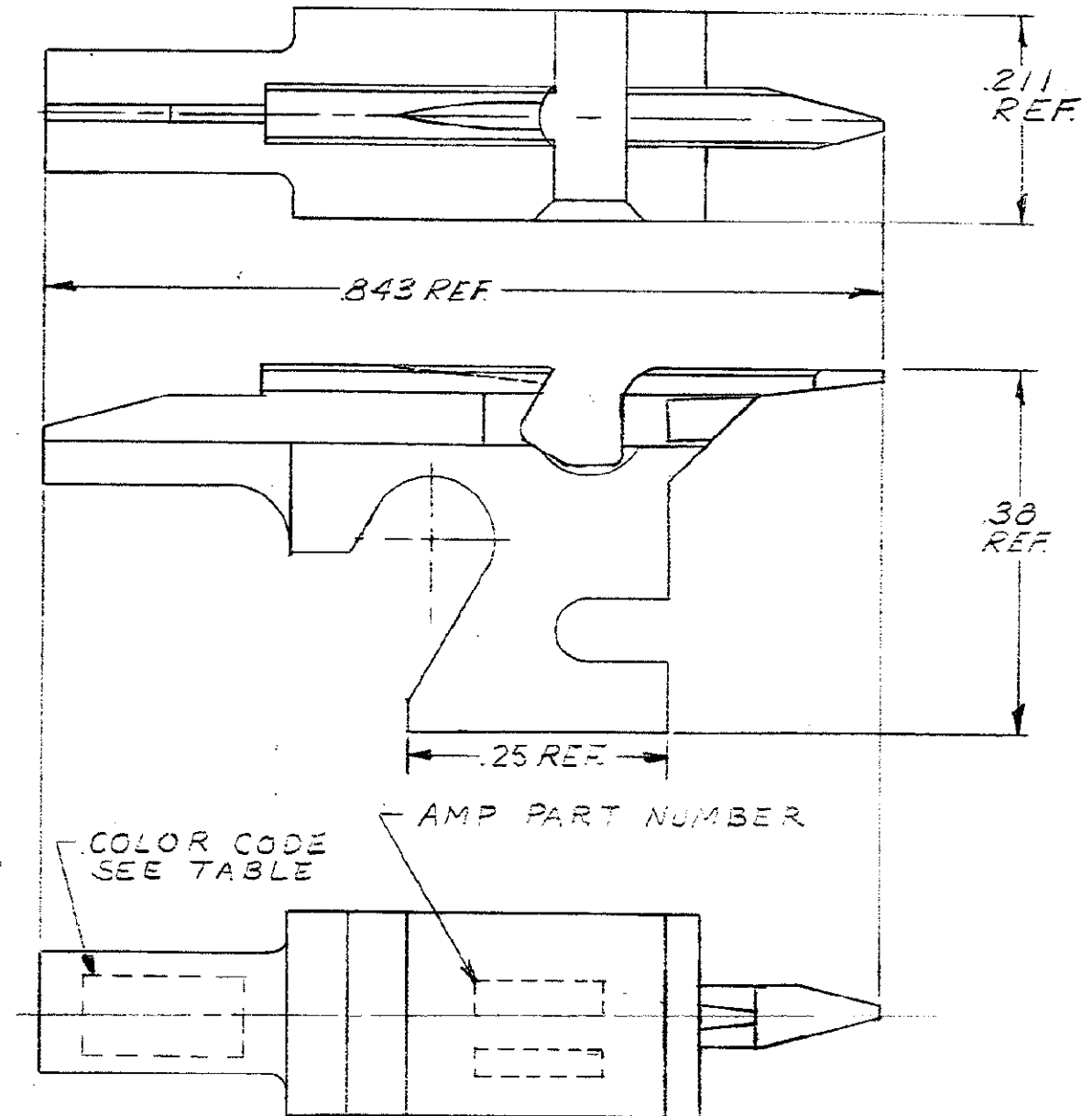


PART NUMBER	FIRST USED	AWG	INS RANGE		COLOR CODE
			MAX.	MIN.	
69411	69525-1 69526-2	24	.065	.046	RED
69411-4	69525-1 69526-2	22	.065	.046	ORANGE
69411-7	69525-1 69526-2	22	.065	.046	ORANGE
1-69411-0	69525-1 69526-2	24	.065	.046	RED
1-69411-1	69525-1 69526-2	26	.065	.046	BROWN
1-69411-2	69525-1 69526-2	24	.065	.046	RED
1-69411-3	69525-1 69526-2	24	.065	.046	RED
1-69411-4	69525-1 69526-2	22	.065	.046	ORANGE
1-69411-5	69525-1 69526-2	24	.065	.046	RED
1-69411-6	69525-1 69526-2	22	.065	.046	ORANGE
1-69411-8	69525-1 69526-2	24	.065	.046	RED
1-69411-9	69525-1 69526-2	26	.065	.046	BROWN



DIMENSIONS IN INCHES. DO NOT SCALE PRINT.

PRINT DIST
8

UNPUBLISHED COPY SHOULD BE REPRODUCED AND/OR PATENTS PENDING.		REMARKS		ITEM NO
REQUIRED PER ASSEMBLY		CUSTOMER COPY REFERENCE ONLY		
DR B. Shenfeld 4-5-68		MATERIAL AND COATING		
CHK E. J. Link 4-9-68		STEEL		
DE		ELECTROLESS NICKEL		
WIRE - RANGE - INSULATION		TYPE		
SEE TABLE SEE TABLE		TERMI-POINT		
TOLERANCE EXCEPT AS NOTED		SCALE		
± .015 ± 1° 0'		1/4"		
NAME		LOC		
E. J. Link 4-9-68		M B		
NO		NO		
69411		REV		
C		C		
LTR		REVISION RECORD		
DR		CHK		
DATE				
DESCRIPTION		MANDREL		

69411