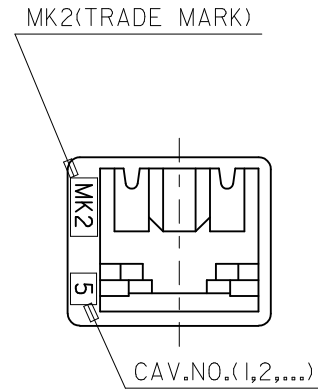
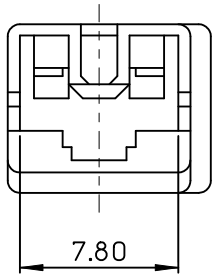
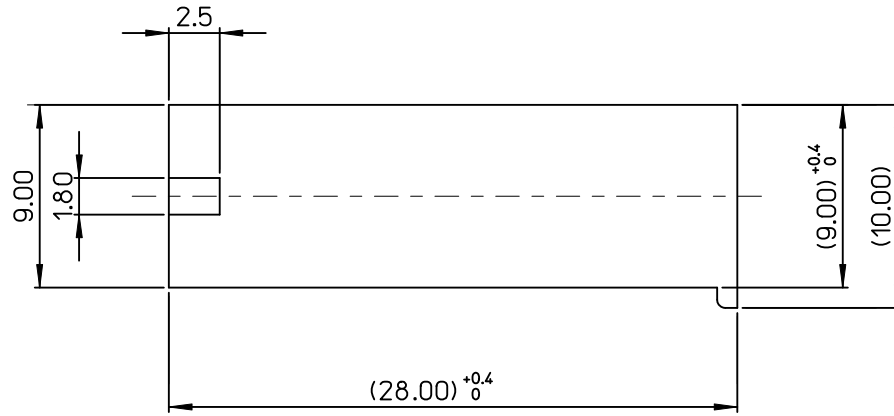
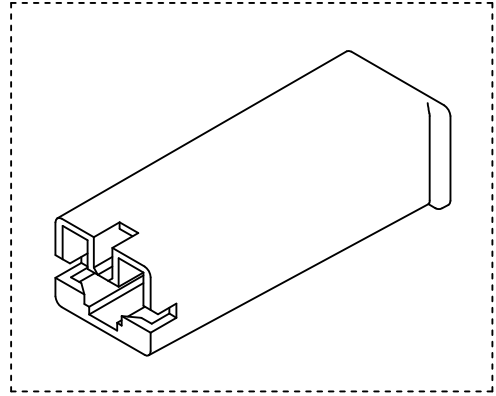


10 9 8 7 6 5 4 3 2 1



NOTES

1. MATERIAL & PART NO.

NO.	MATERIAL NO.	PART NO.	MATERIAL
1	351960110	35196-0110	PA66,UL94V-2
2	351960111	35196-0111	©PA66,UL94V-0

2. FINISH : NATURAL COLOR

3. APPLICABLE TERMINAL : 35072-9*02

REVISED EC NO: KOR2011-0074 DRWN: JHPARK01 2011/01/26 CHKD: SH. CHU 2011/01/26 APPR: YUNSIKIM 2011/01/27	DESCRIPTION REV	QUALITY SYMBOLS	GENERAL TOLERANCES (UNLESS SPECIFIED)	DIMENSION STYLE	SCALE	DESIGN UNITS	THIRD ANGLE PROJECTION		
		▼=0 ▽=0	mm INCH 4 PLACES ± --- ± --- 3 PLACES ± --- ± --- 2 PLACES ± 0.3 ± --- 1 PLACE ± 0.3 ± --- ANGULAR ± 1 °	MM ONLY	4:1	METRIC	DRAWN BY: WY. YANG DATE: 1996/03/19 CHECKED BY: BK. CHOI DATE: 1996/03/19 APPROVED BY: CW. LEE DATE: 1996/03/19	TITLE	.250 P-LOCK HOUSING-1P
		DRAFT WHERE APPLICABLE MUST REMAIN WITHIN DIMENSIONS	SEE NOTE	MATERIAL NO.	DOCUMENT NO.	SHEET NO.	MOLEX INCORPORATED SD-35196-0110 1 OF 01		
		THIS DRAWING CONTAINS INFORMATION THAT IS PROPRIETARY TO MOLEX INCORPORATED AND SHOULD NOT BE USED WITHOUT WRITTEN PERMISSION							

9 8 7 6 5 4 3 2 1