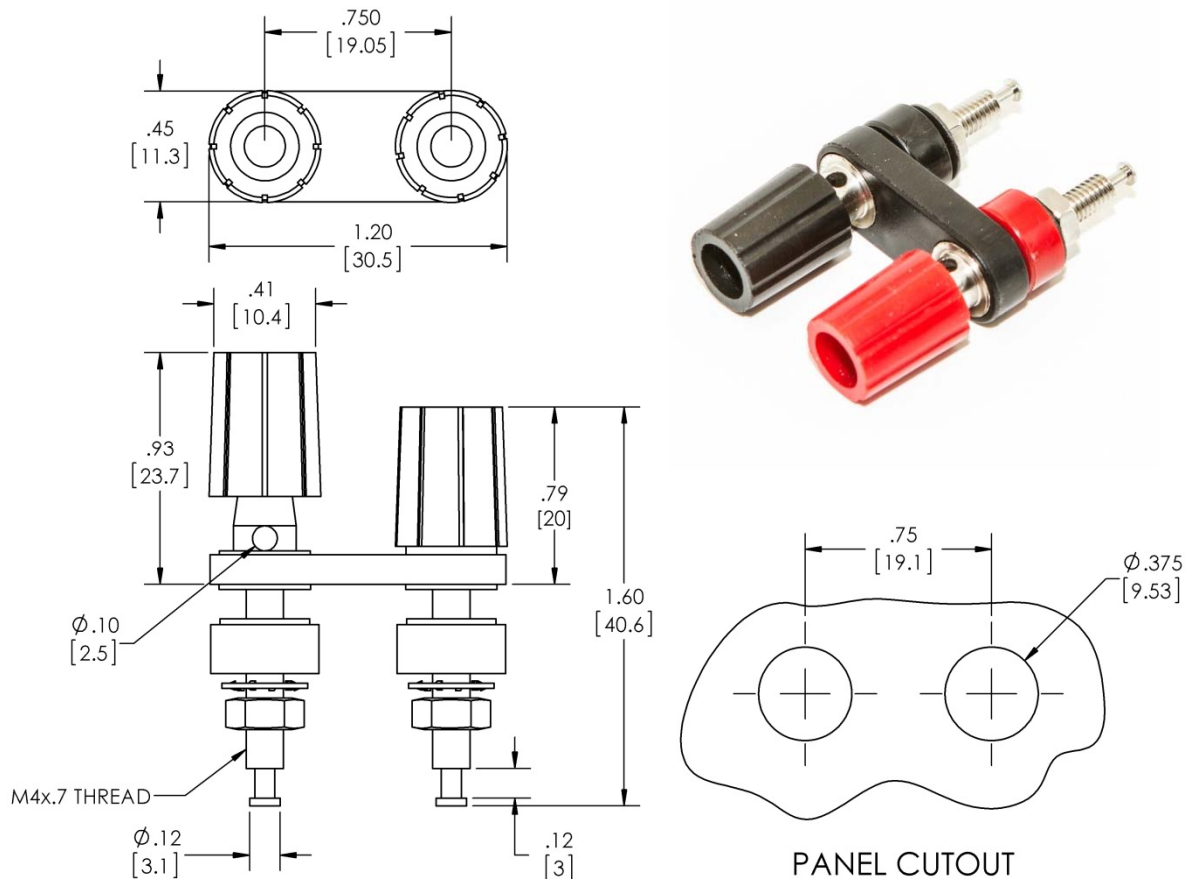


BU-P4243-*

(SLIM-LINE DOUBLE BINDING POST)



- The BU-P4243 is a slim-line binding post which accepts non-shrouded and retractable 4mm banana plugs as well as bare wire and 7mm (ID) spade connectors. Internal wires connected by solder post.
- Material: Bright Tin Plated Brass with Polycarbonate Insulators and High Temp ABS Spacer
- Panel Cutout is: ϕ .375" (9.5mm) thru holes on .75" (19mm) centers
Mounts thru panels up to .25" (6.4mm) thick
- Ratings: 15 Amps, Hands Free testing to 1000V.
- Color: The "*" in the model number indicates color of spacer (-0 Shown).
Available colors are: -0 Black, -2 Red
- RoHS Compliant